

[54] HOT OVEN RACK PULLER OR SIMILAR ARTICLE

[76] Inventor: Paul A. Lacey, Tarbell Hill Rd., Moriah, N.Y. 12960

[**] Term: 14 Years

[21] Appl. No.: 8,033

[22] Filed: Jan. 31, 1979

[51] Int. Cl. D07-99

[52] U.S. Cl. D7/99; D7/102; D7/132; D8/18

[58] Field of Search 294/27 R; D8/16, 17, D8/18; D7/99, 102, 132

[56] References Cited

U.S. PATENT DOCUMENTS

D. 28,940	6/1898	Miller	D7/132
D. 245,830	9/1977	DeGross	D8/18
2,137,458	11/1938	Phelps	D7/102 X
2,777,676	1/1957	Carter	D7/102 X
3,954,030	5/1976	Newton	D8/18 X

Primary Examiner—Winifred E. Herrmann
Attorney, Agent, or Firm—Robert E. Heslin

[57] CLAIM

The ornamental design for a hot oven rack puller or similar article, as shown and described.

DESCRIPTION

FIG. 1 is a side elevational view of a hot oven rack puller showing my new design, the side opposite being a mirror image thereof; and FIG. 2 is a top perspective view thereof, the bottom edge being plain.

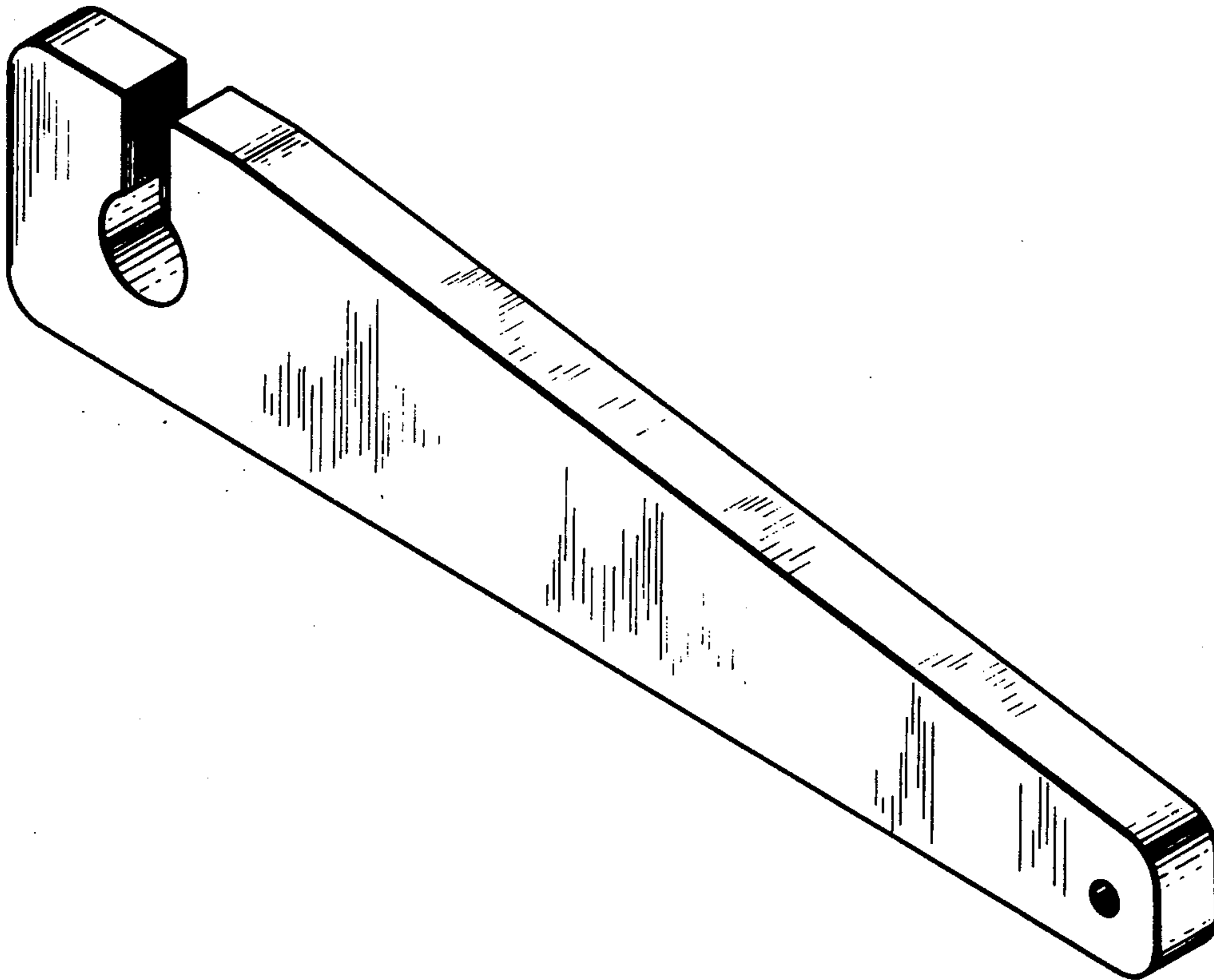


FIG. 1

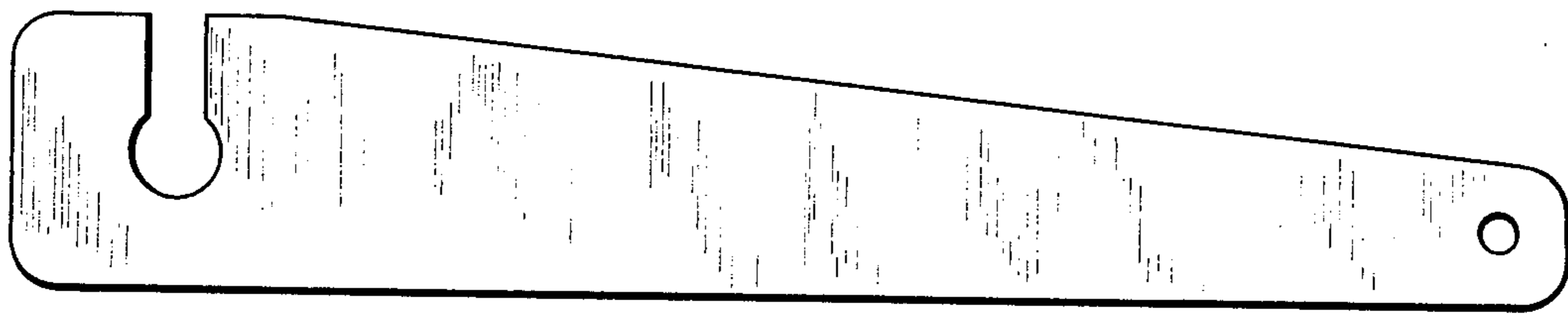


FIG. 2

