

[54] ROASTING RACK
 [75] Inventors: David L. Painter, Glenview, Ill.;
 Robert C. Zinkgraf, West Bend, Wis.
 [73] Assignee: Dart Industries Inc., Los Angeles,
 Calif.
 [**] Term: 14 Years
 [21] Appl. No.: 18,805
 [22] Filed: Mar. 8, 1979
 [51] Int. Cl. D07-02
 [52] U.S. Cl. D7/94; D7/96;
 D7/97; D7/130
 [58] Field of Search D7/85, 129, 130, 136,
 D7/94, 96, 21, 97

3,941,968 3/1976 MacMaster et al. D7/130 X
 4,140,340 2/1979 Cloutier D7/21 X

OTHER PUBLICATIONS

Retailing Home Furnishings (HFD), Sec. 3, Jan. 16,
 1978, p. 14, Eagle Micromasters, left col., Rack-2nd
 down.

Primary Examiner—Winifred E. Herrmann
 Attorney, Agent, or Firm—Kenneth J. Hovet

[57] CLAIM

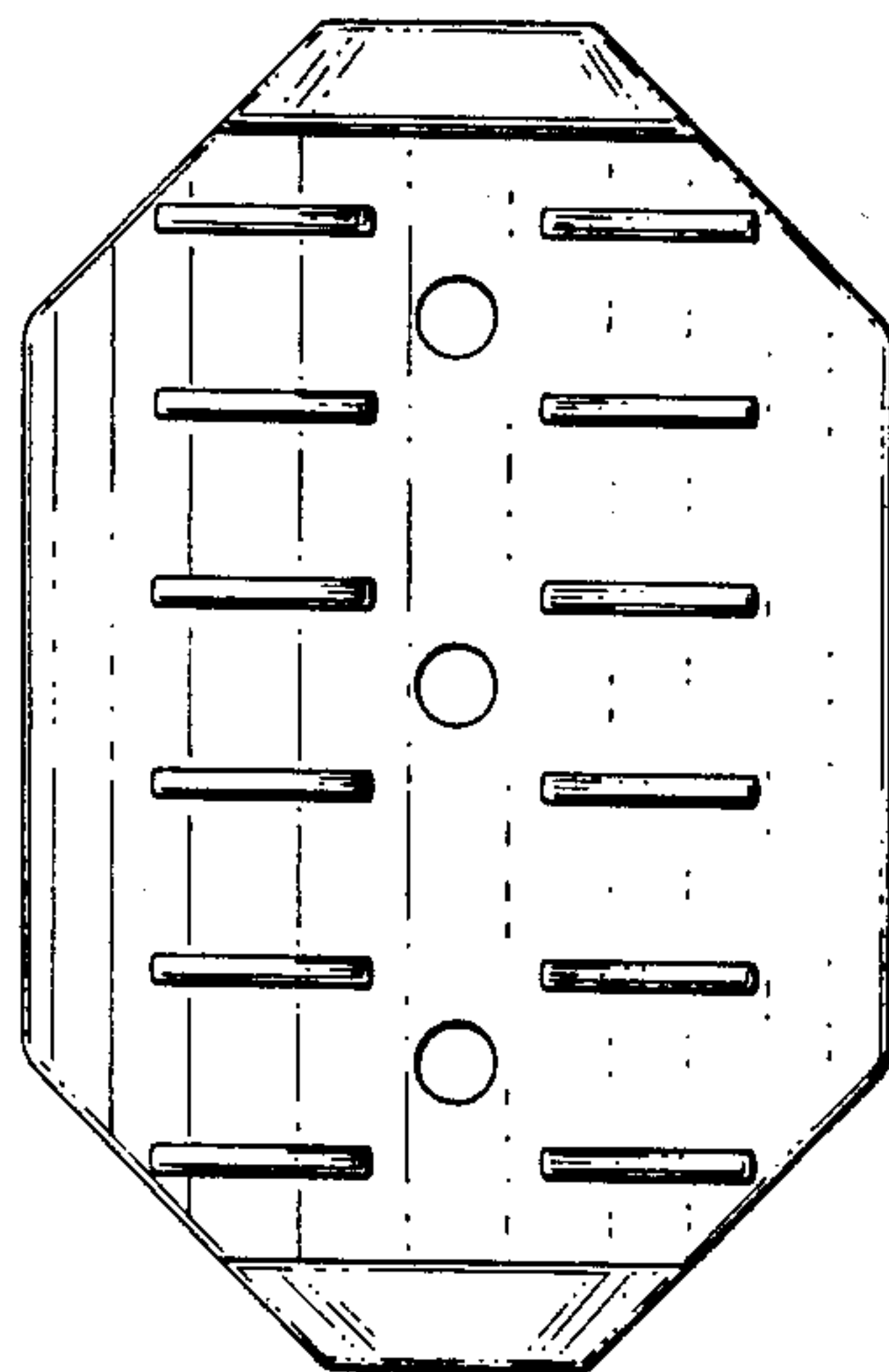
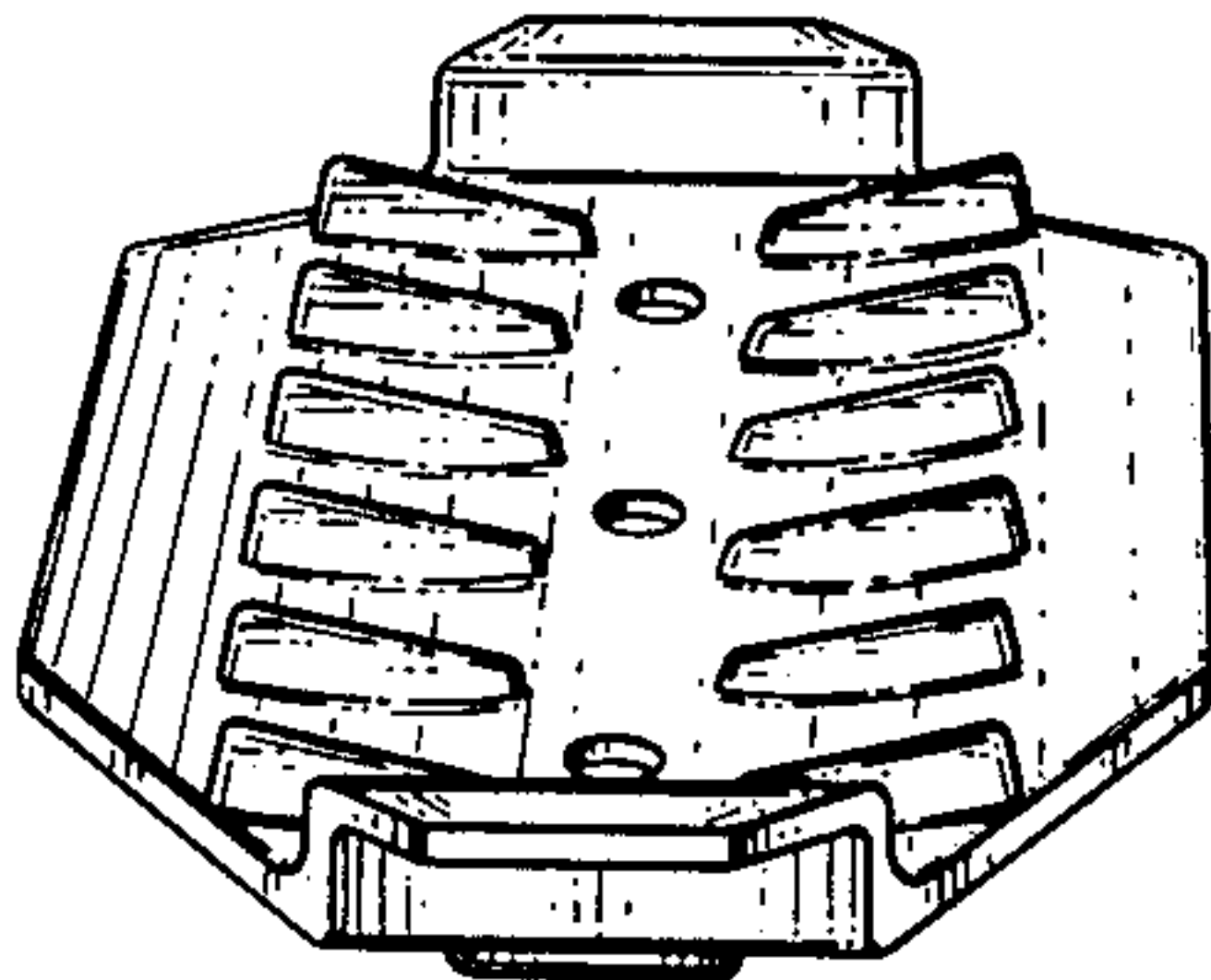
The ornamental design for a roasting rack, substantially
 as shown.

DESCRIPTION

FIG. 1 is a perspective view of a roasting rack showing
 our new design;
 FIG. 2 is an end elevational view;
 FIG. 3 is a side elevational view;
 FIG. 4 is a top plan view; and,
 FIG. 5 is a bottom plan view.
 FIG. 6 is a cross-sectional view taken on line 6-6 of
 FIG. 2.

[56] References Cited
 U.S. PATENT DOCUMENTS

D. 118,234 12/1939 Grundstrom D7/94
 D. 152,043 12/1948 Talge D7/94
 D. 229,532 12/1973 Colato et al. D7/136



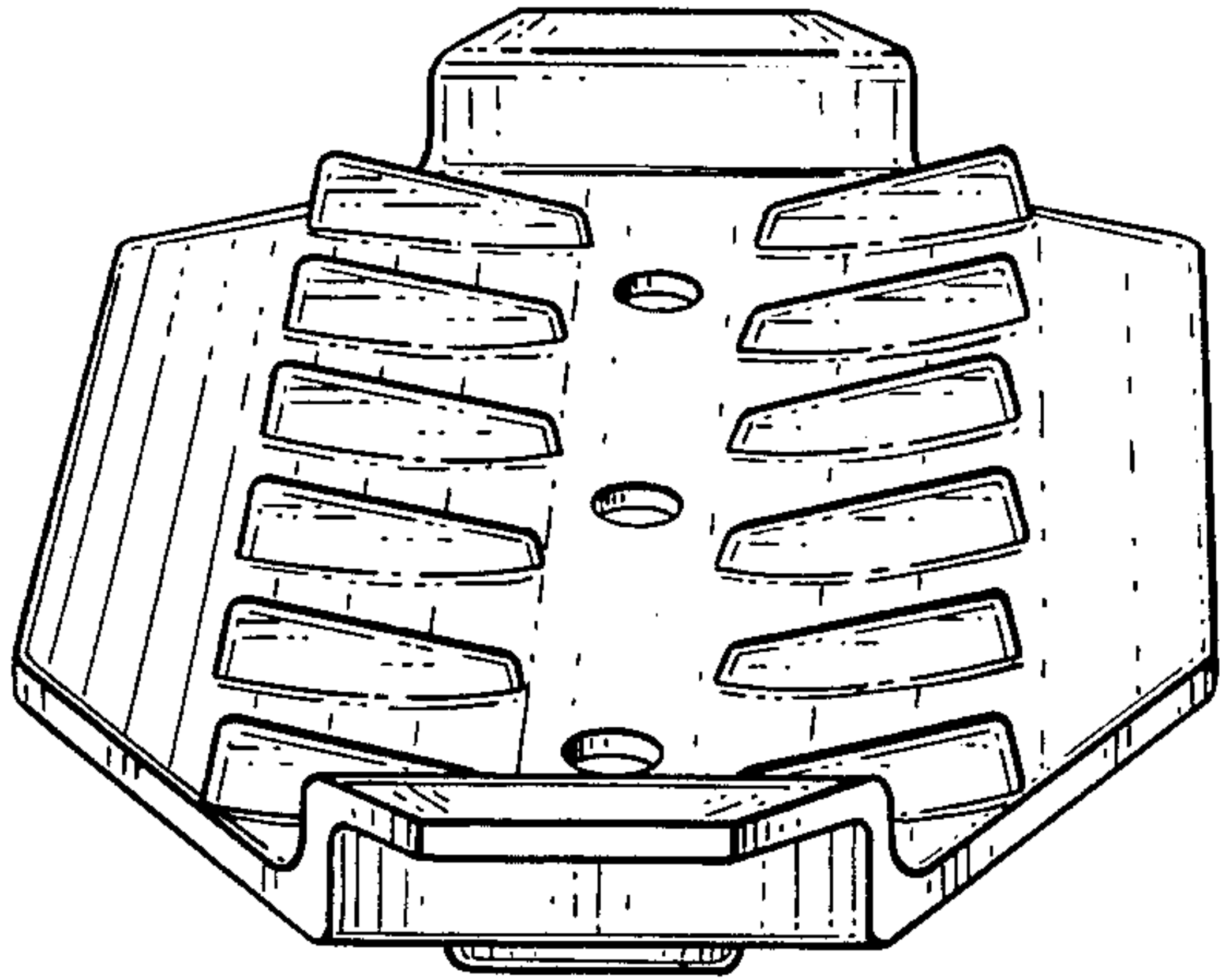


FIG. 1

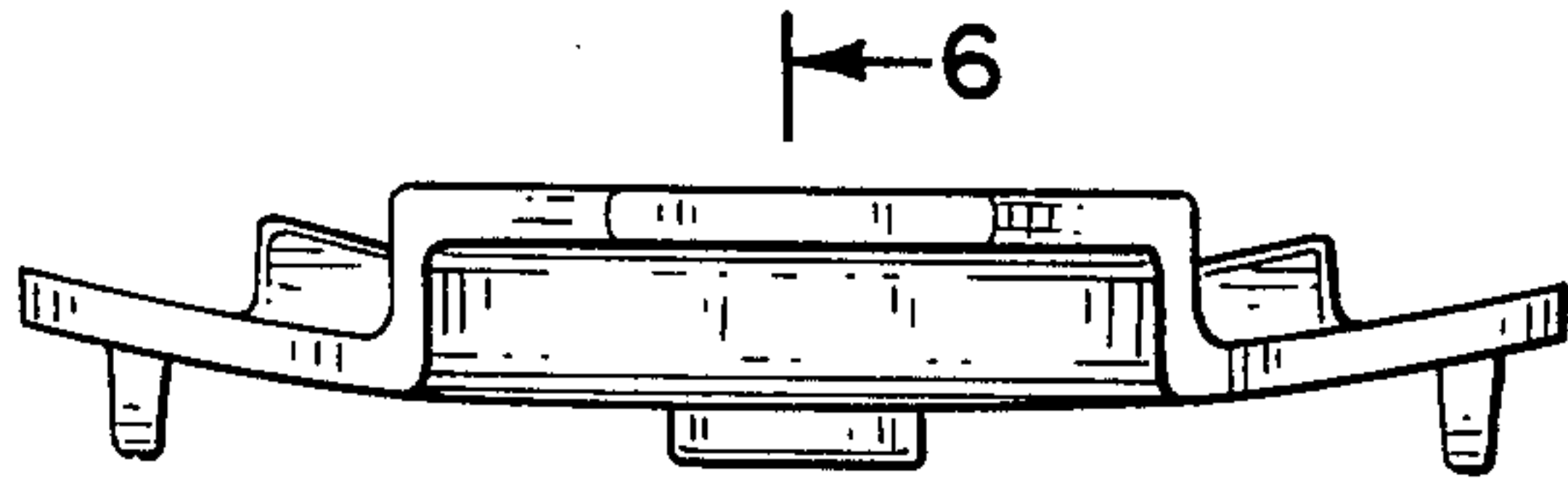


FIG. 2

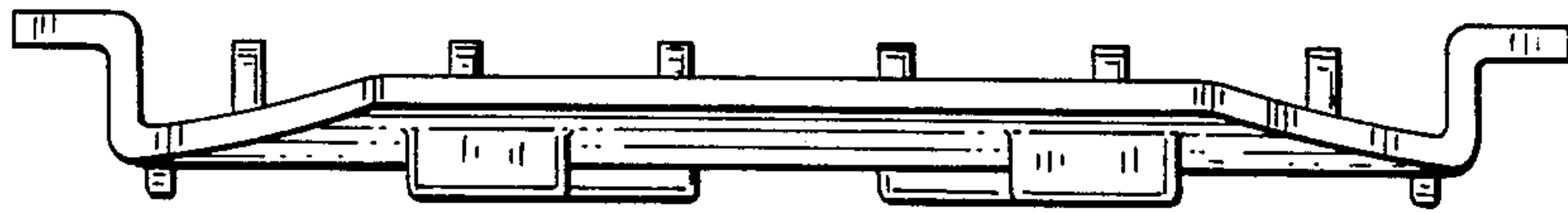


FIG. 3

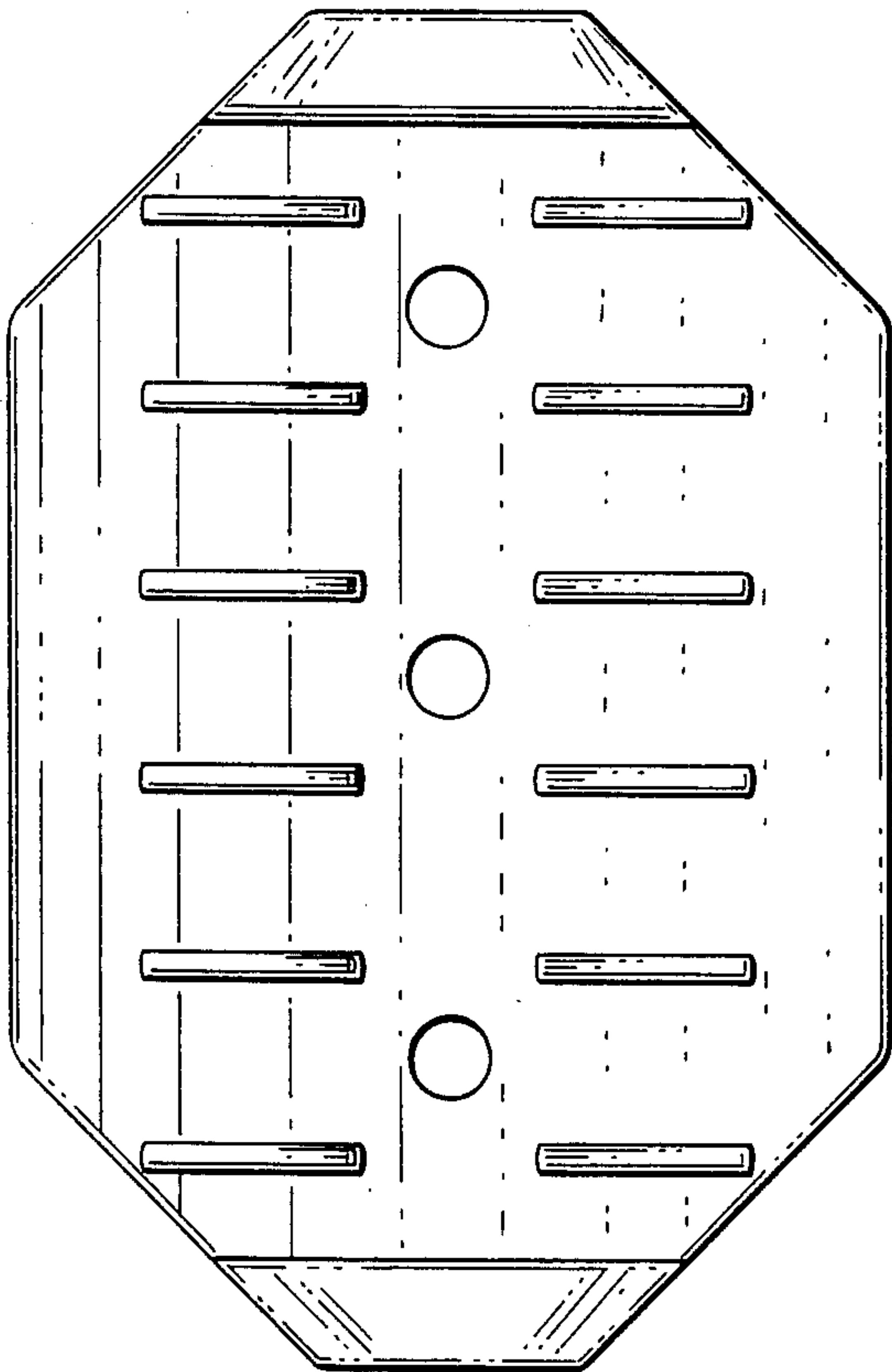


FIG. 4

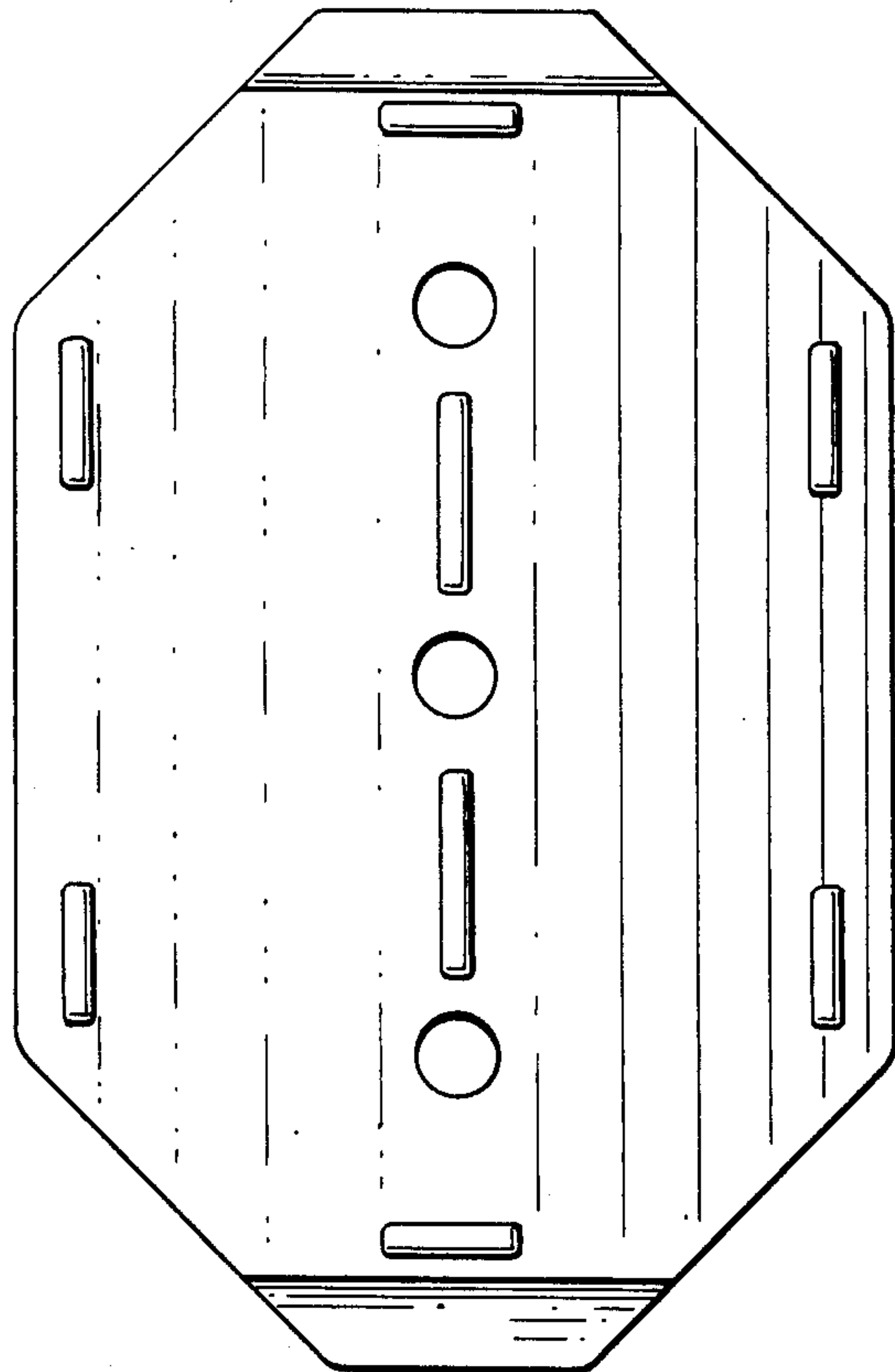


FIG. 5

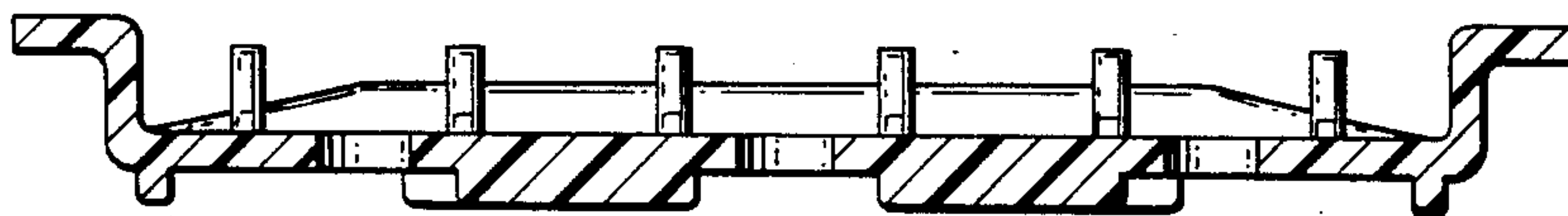


FIG. 6