

[54] INSULATED JAR WITH LID
[76] Inventors: Tsoo-Hing Leung; Philip Leung, both of Wei Yit Vacuum Flask Manufactory, Camel House, Palm St., Kowloon, Hong Kong

[**] Term: 14 Years

[21] Appl. No.: 951,137

[22] Filed: Oct. 13, 1978

[30] Foreign Application Priority Data
Apr. 20, 1978 [GB] United Kingdom 994280/78

[51] Int. Cl. D07-01
[52] U.S. Cl. D7/77; D3/30
[58] Field of Search D7/76, 77, 78; D9/1, D9/131, 150, 119, 52, 147, 216, 217, 218, 158, 162, 164, 169; 224/45 AA, 148; 215/10

[56] References Cited
U.S. PATENT DOCUMENTS
D. 2,659 5/1867 Parkinson D9/169

D. 39,480	9/1908	Van Wye	D7/77
D. 49,420	7/1916	Curtiss	D7/77
D. 233,641	11/1974	Roche	D7/77
2,488,611	11/1949	Stallings	215/10
2,632,666	3/1953	Cunningham	224/45 AA X
3,245,565	4/1966	Zeppenfeld et al.	D7/77 X
3,820,695	6/1974	Pecjak	224/45 AA

Primary Examiner—Winifred E. Herrmann
Attorney, Agent, or Firm—Martin P. Hoffman

[57] CLAIM

The ornamental design for an insulated jar with lid, as shown.

DESCRIPTION

FIG. 1 is a side elevational view of an insulated jar with lid showing our new design;
FIG. 2 is a bottom plan view thereof;
FIG. 3 is a fragmentary section taken on the line III-III in FIG. 2;
FIG. 4 is an exploded front or rear elevational view thereof;
FIG. 5 is a front or rear elevational view thereof; and
FIG. 6 is a top plan view thereof.

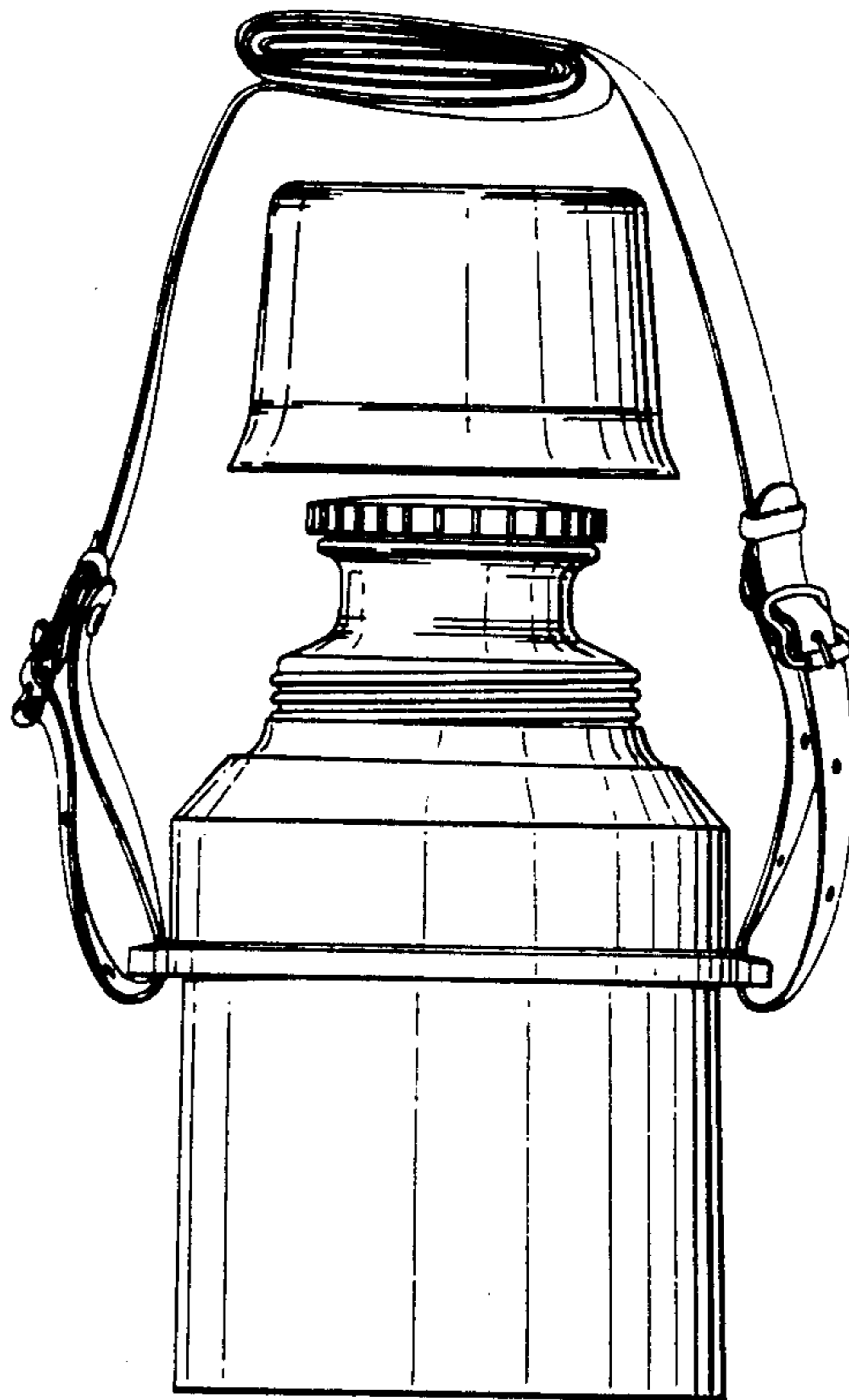
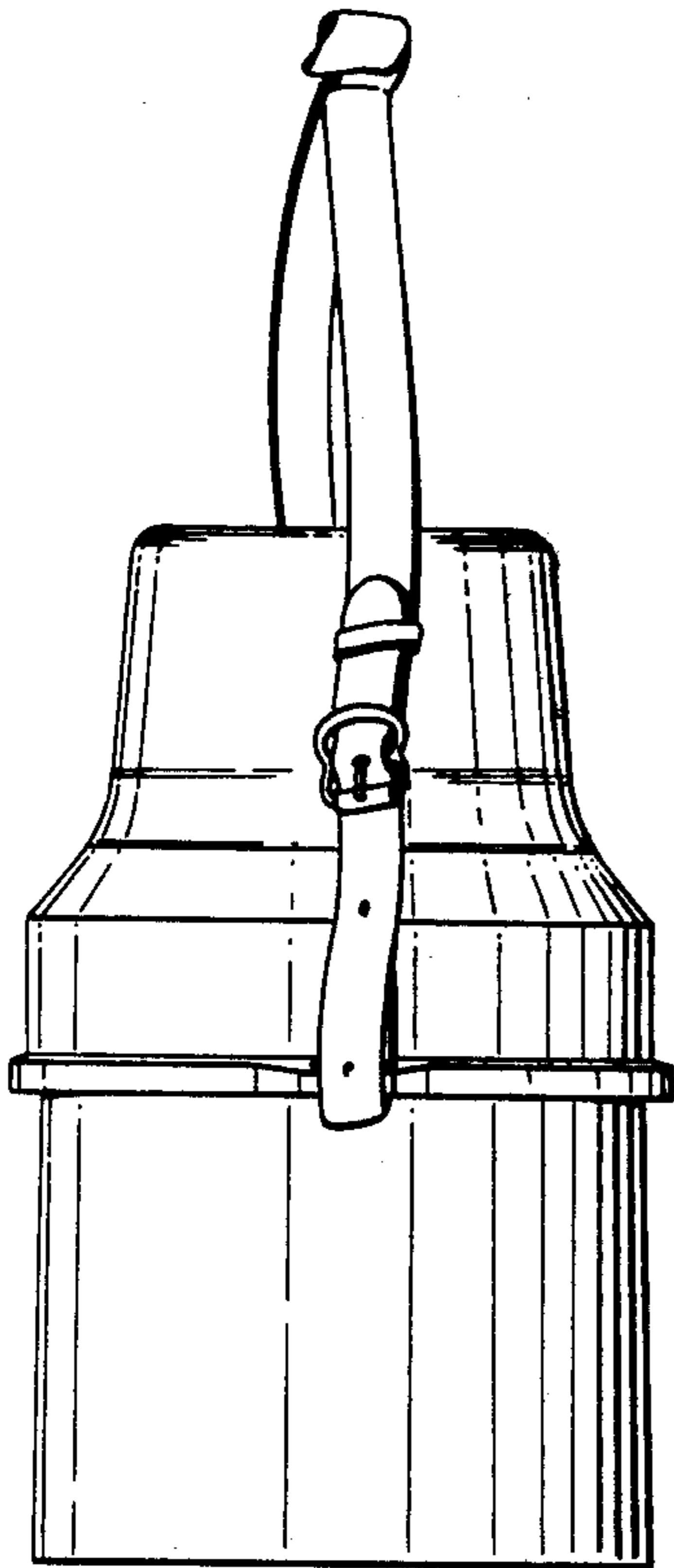


Fig. 1.

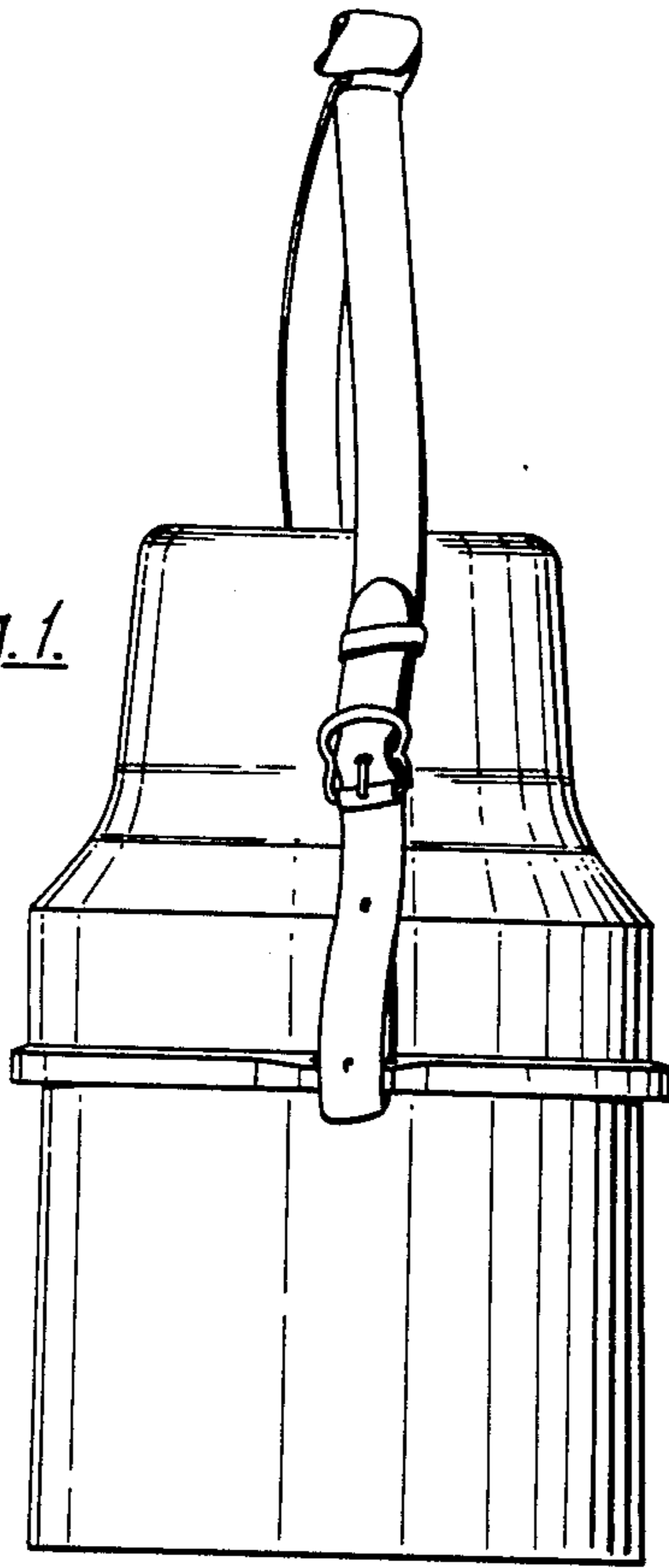


Fig. 2.

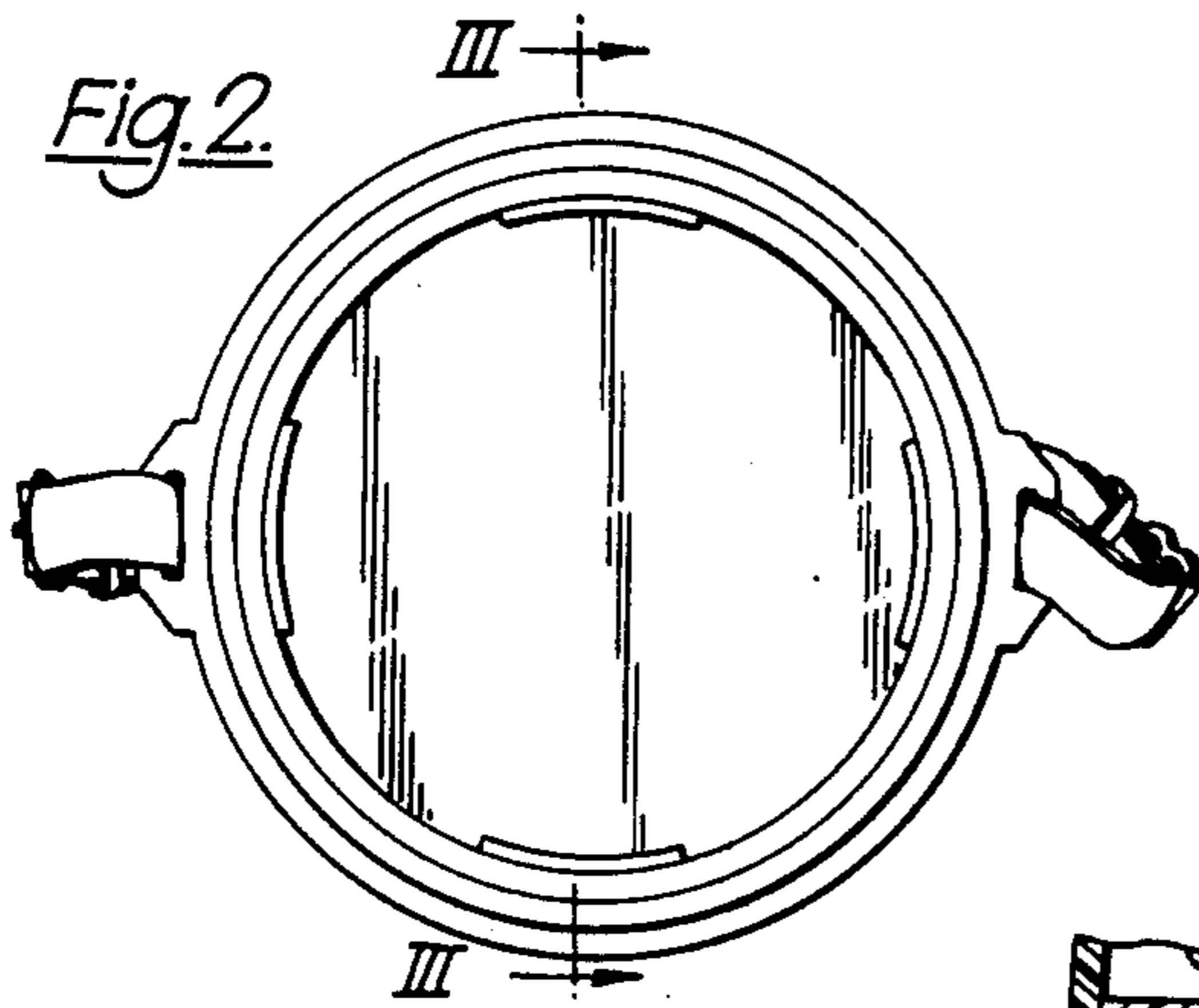
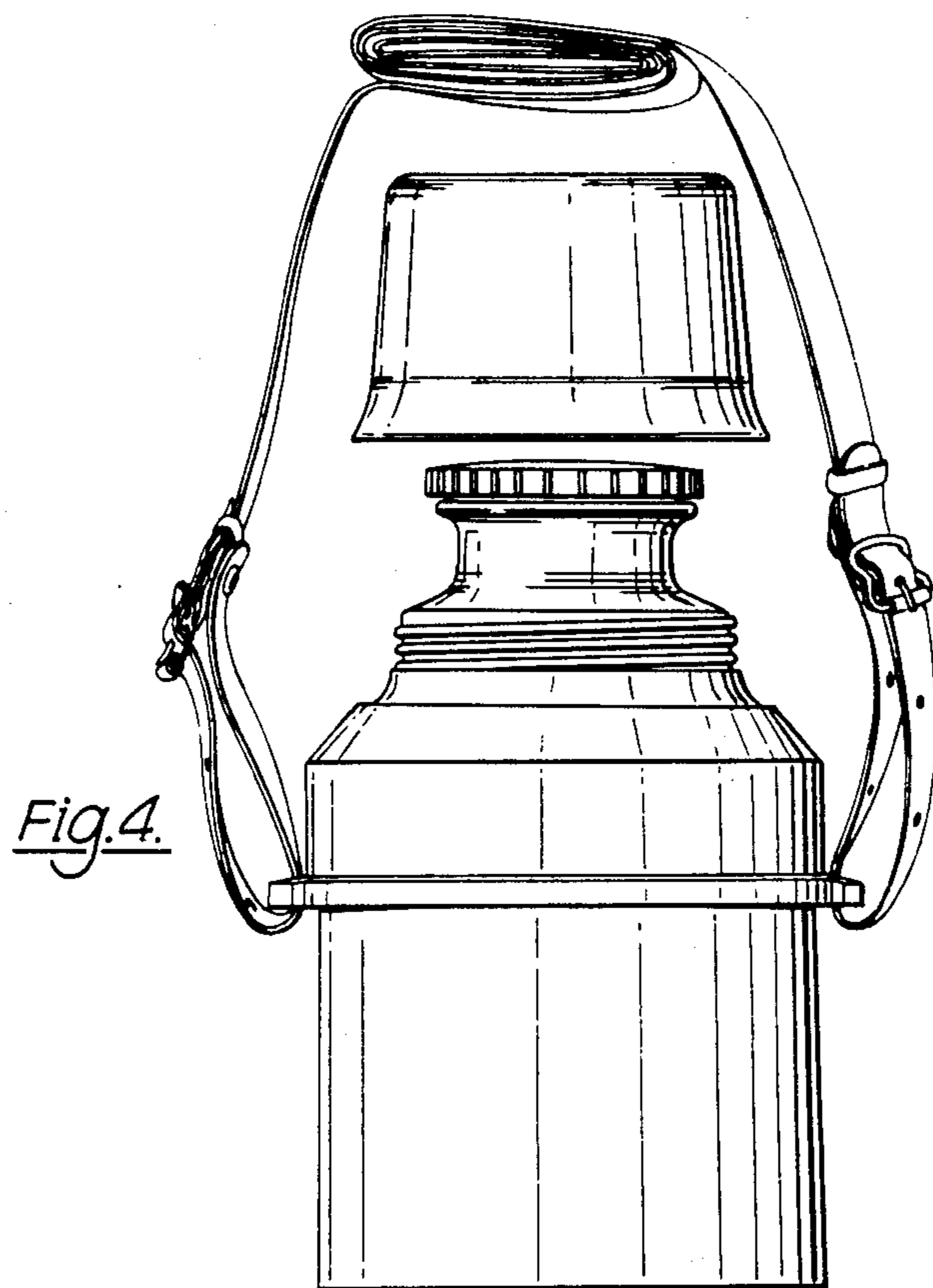


Fig. 3.





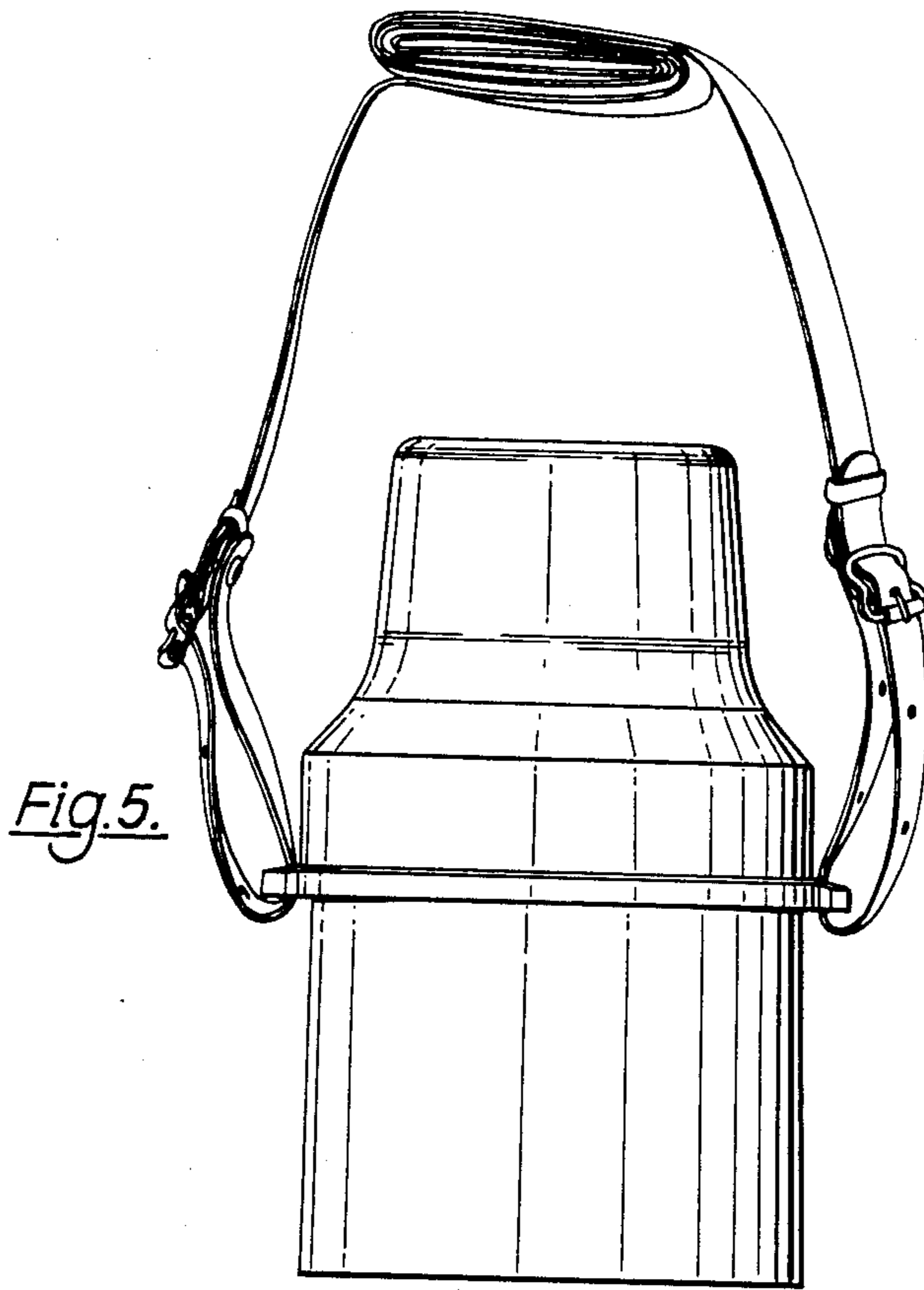


Fig. 6.

