

[54] FOOD STORAGE AND DISPENSING DEVICE

[75] Inventor: Max Juster, Lombard, Ill.

[73] Assignee: North American Paper Co., Chicago, Ill.

[**] Term: 14 Years

[21] Appl. No.: 853,801

[22] Filed: Nov. 21, 1977

[51] Int. Cl. D9-02

[52] U.S. Cl. D7/76; D9/215; D9/219; D9/222

[58] Field of Search D3/30; D7/6, 7, 16, D7/76, 79; D9/219, 222, 254, 267, 211, 215; 206/822; 220/DIG. 12, DIG. 13, DIG. 14, DIG. 22, DIG. 23

[56] References Cited

U.S. PATENT DOCUMENTS

D. 205,968	10/1966	Bestrom	D9/219
D. 229,654	12/1973	Croyle et al.	D7/76
D. 237,258	10/1975	Mazzola et al.	D9/219
3,515,306	6/1970	Roper et al.	D9/267 X

Primary Examiner—George G. Stellar
Attorney, Agent, or Firm—Marvin N. Benn

[57] CLAIM

The ornamental design for the food storage and dispensing device, as shown.

DESCRIPTION

FIG. 1 is a perspective view of a food storage and dispensing device showing my new design; FIG. 2 is a side elevational view of the top portion thereof; FIG. 3 is a side elevational view of the bottom portion thereof; FIG. 4 is a top plan view thereof; and FIG. 5 is a partial bottom plan view thereof.

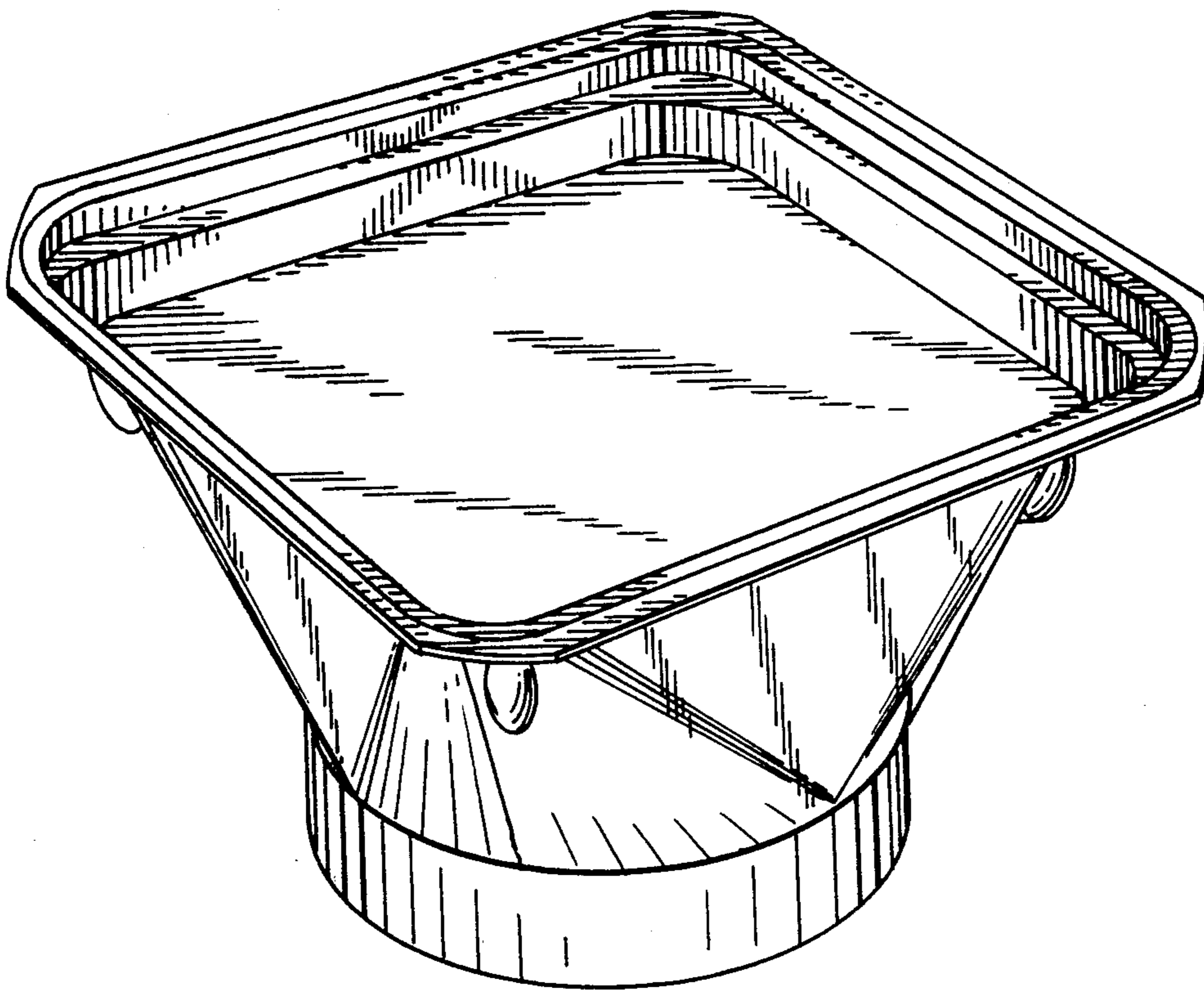


FIG. 1

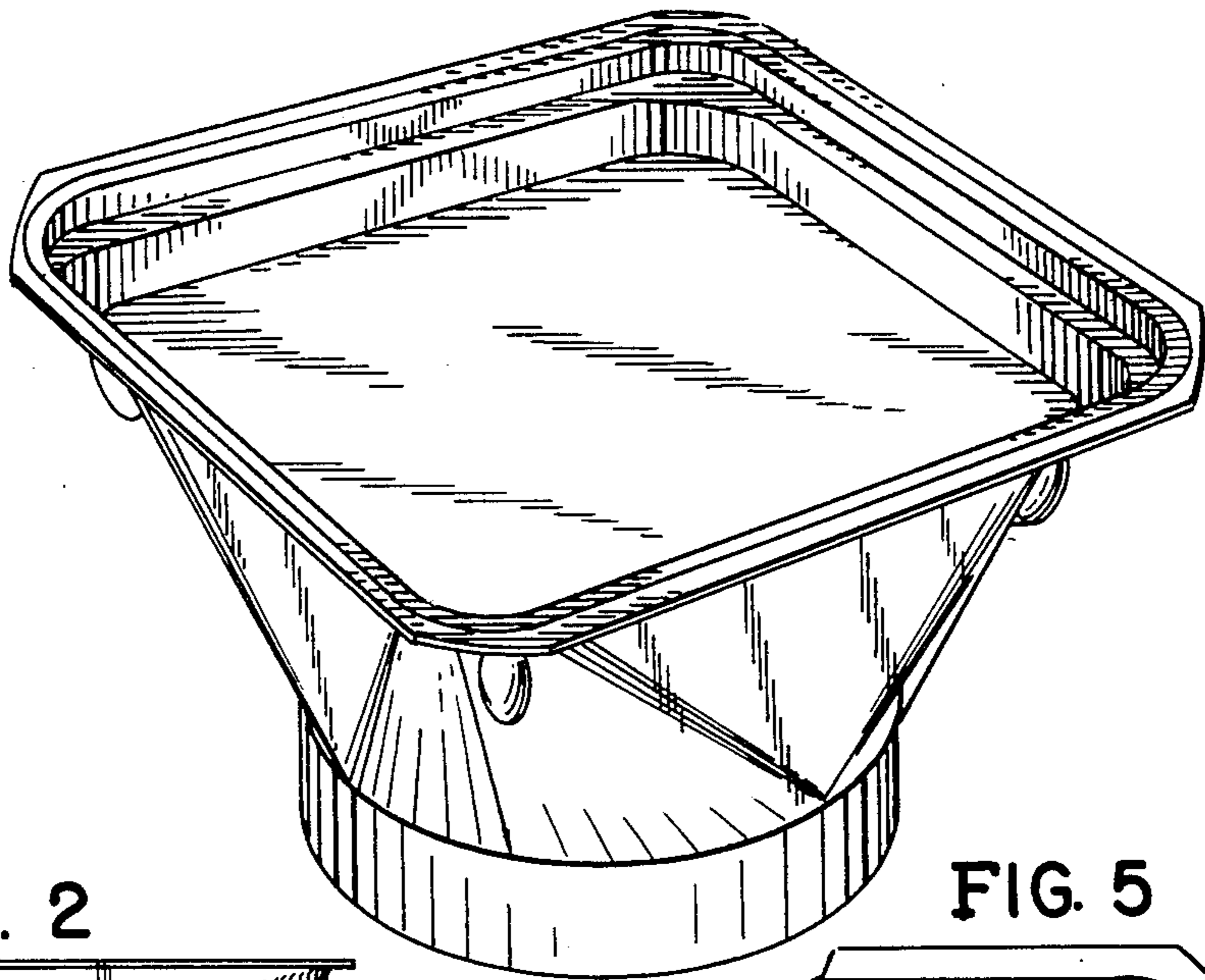


FIG. 2

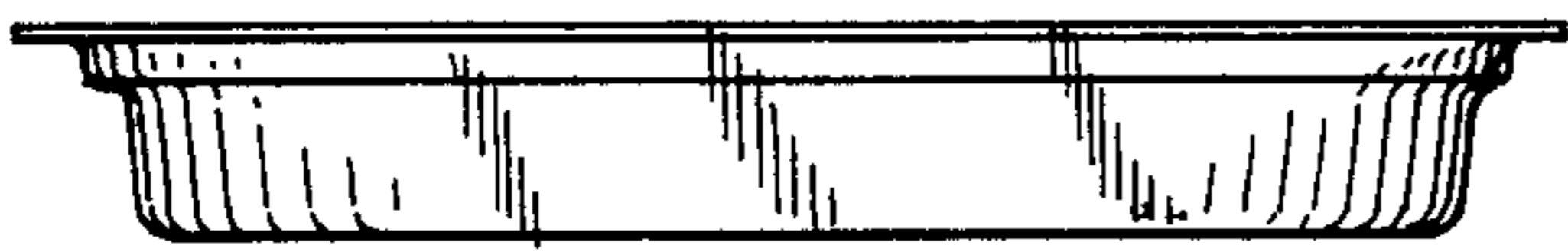


FIG. 5

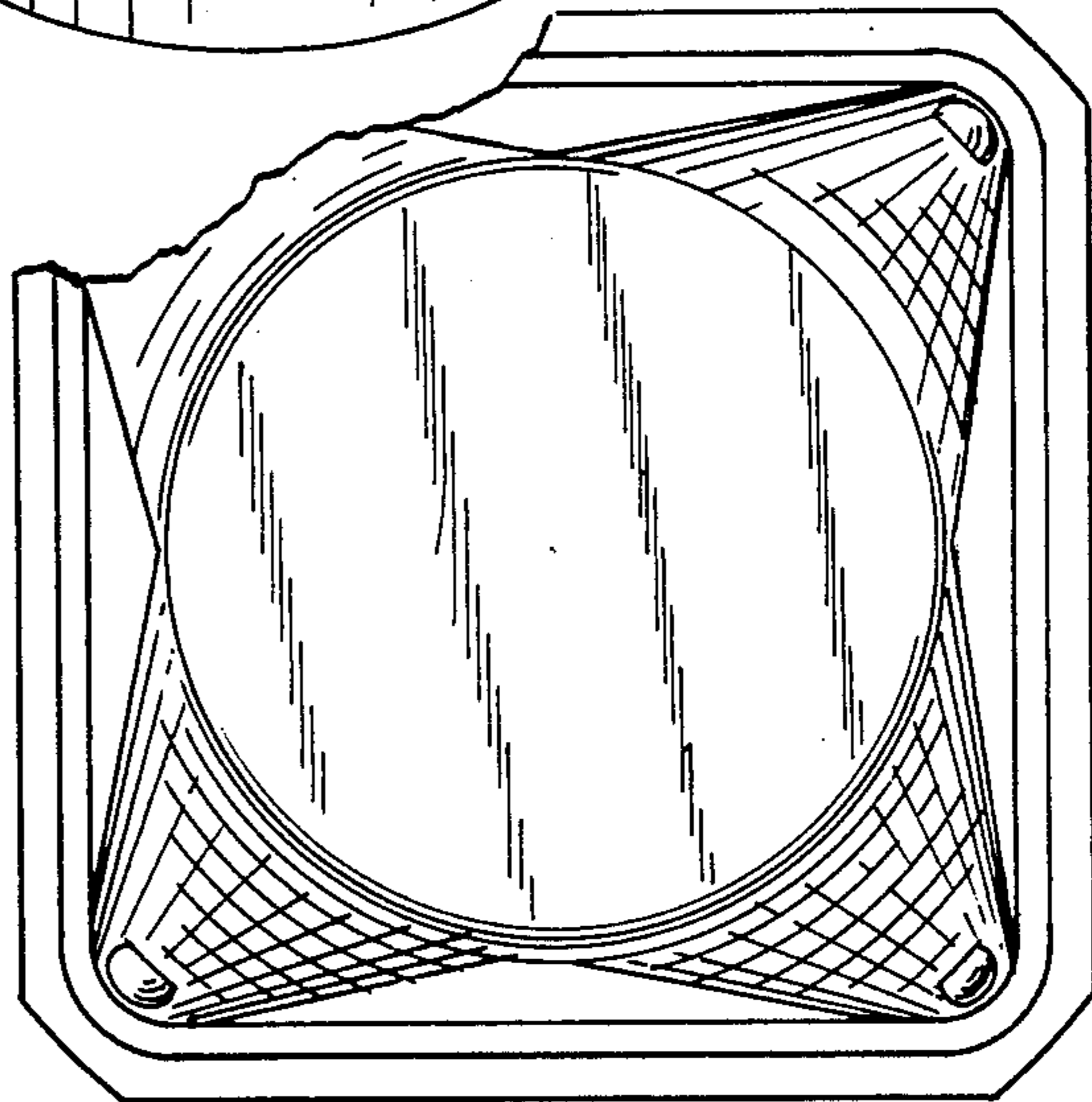


FIG. 3

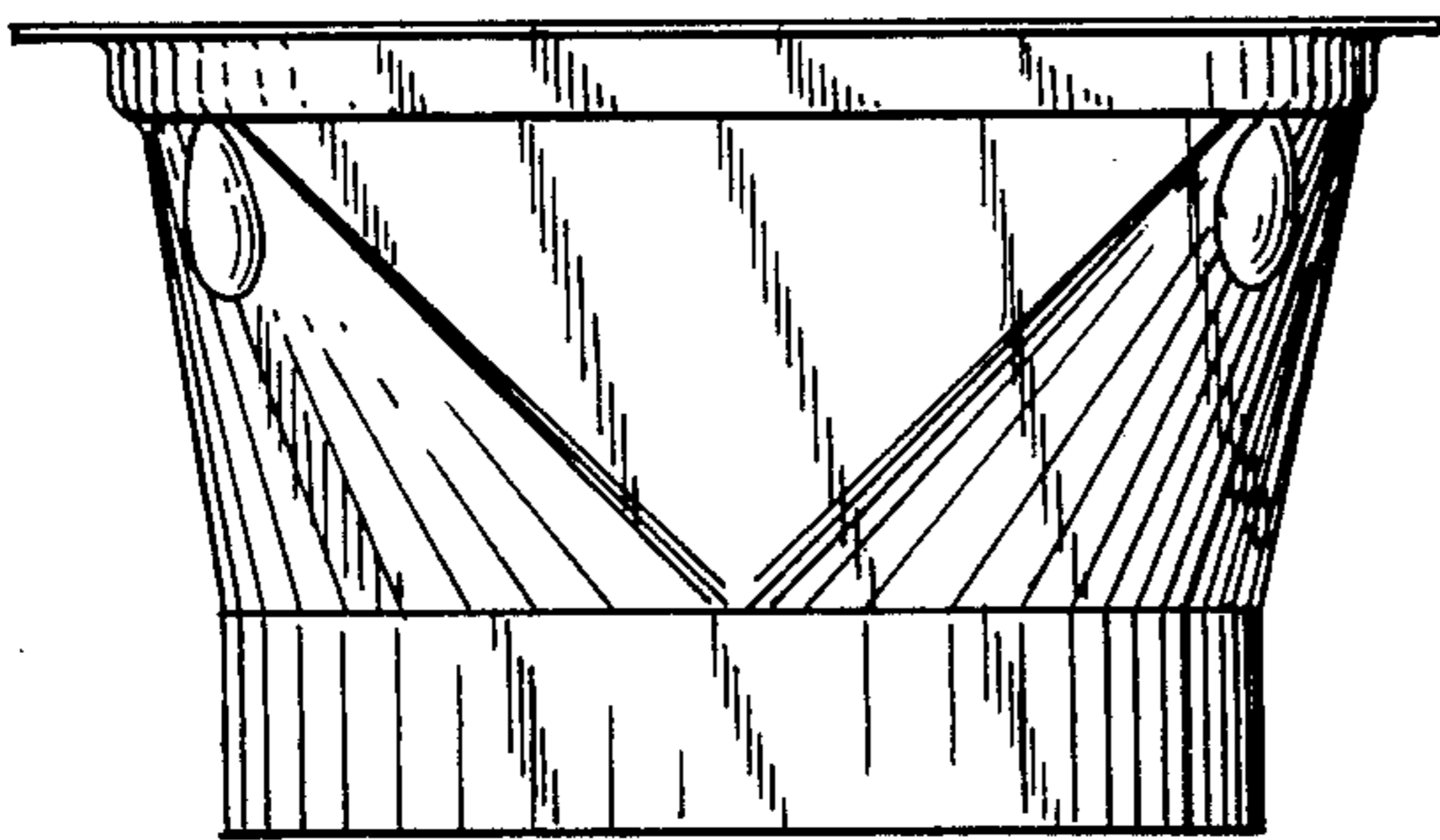
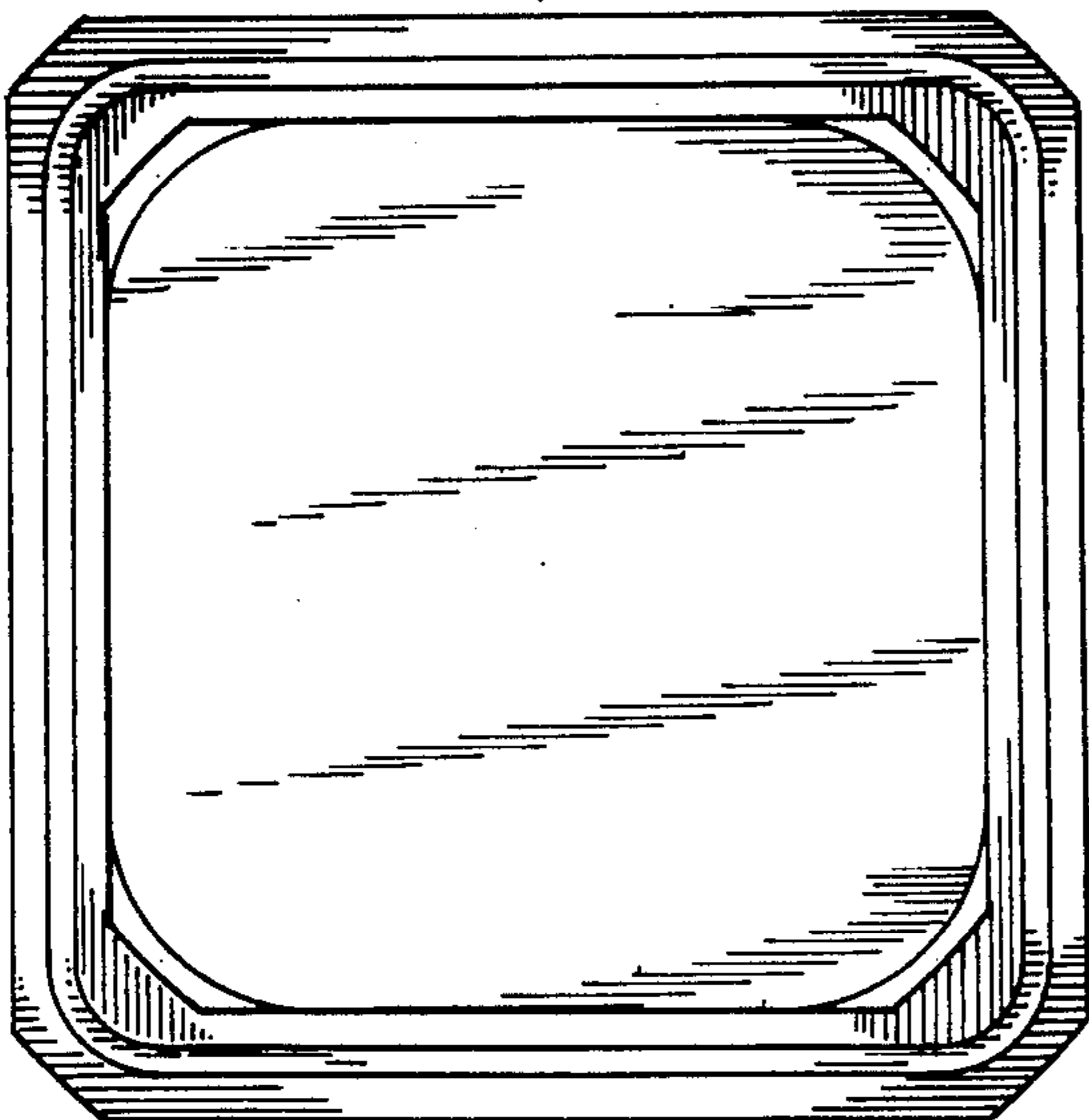


FIG. 4

← 6



← 6