

[54] COVERED DISH

[75] Inventors: David L. Painter, Glenview, Ill.; Robert C. Zinkgraf, West Bend, Wis.

[73] Assignee: Dart Industries Inc., Los Angeles, Calif.

[**] Term: 14 Years

[21] Appl. No.: 18,807

[22] Filed: Mar. 8, 1979

[51] Int. Cl. D07-01

[52] U.S. Cl. D7/18; D7/97

[58] Field of Search D7/1, 21, 19, 3, 16, D7/18, 22, 97; D9/219

[56] References Cited

U.S. PATENT DOCUMENTS

D. 40,807 8/1910 Herbert D7/1
D. 71,991 2/1927 Walker D7/18

D. 82,736 12/1930 Farber D7/18
D. 208,829 10/1967 Stockdale D9/219
D. 248,076 6/1978 Christian D7/21 X

OTHER PUBLICATIONS

Rosenthal "Polygon" Brochure, printed 10-14-75, Covered Casserole Dish in Polygon White Panel.

Primary Examiner—Winifred E. Herrmann
Attorney, Agent, or Firm—Kenneth J. Hovet

[57] CLAIM

The ornamental design for a covered dish, substantially as shown.

DESCRIPTION

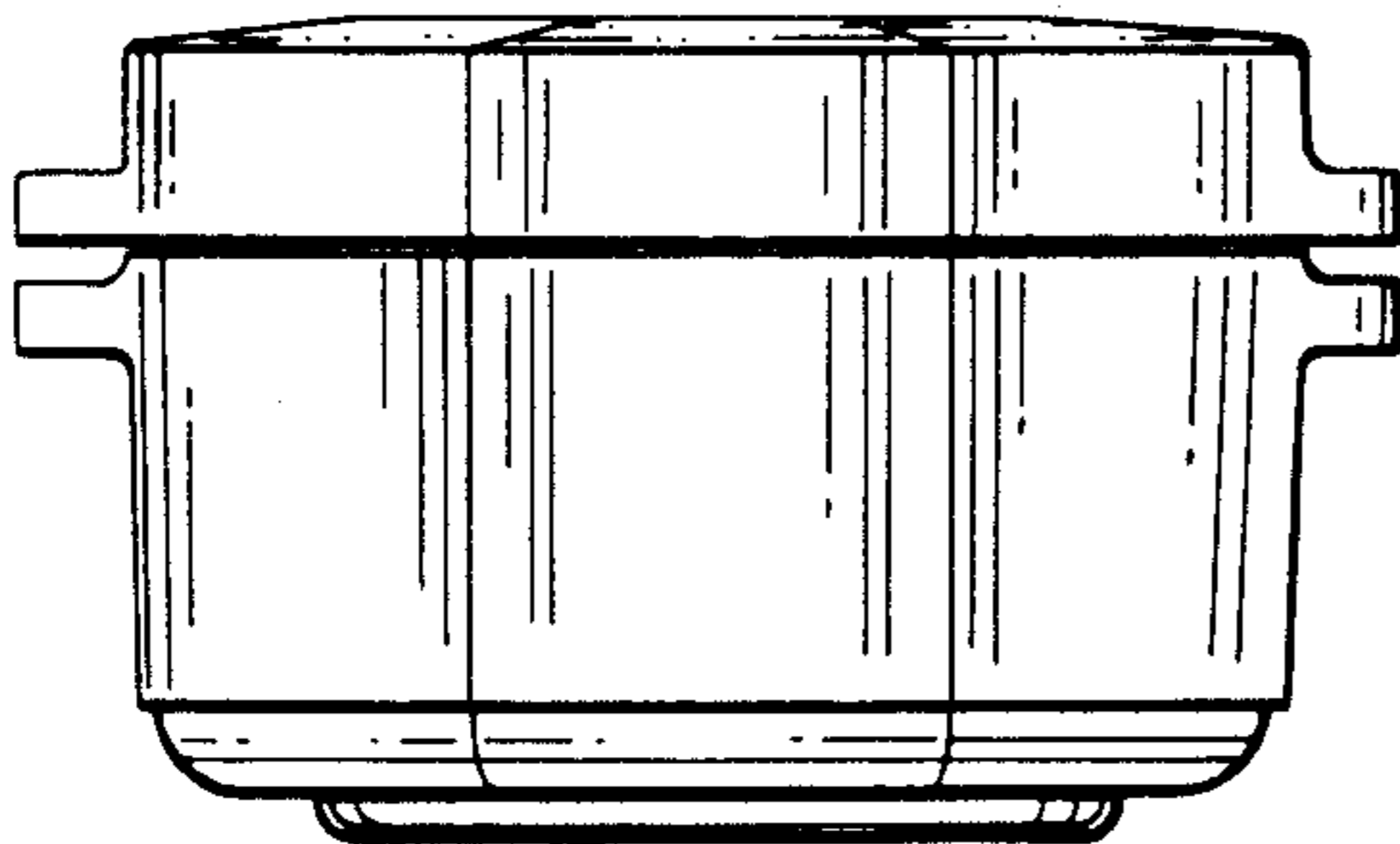
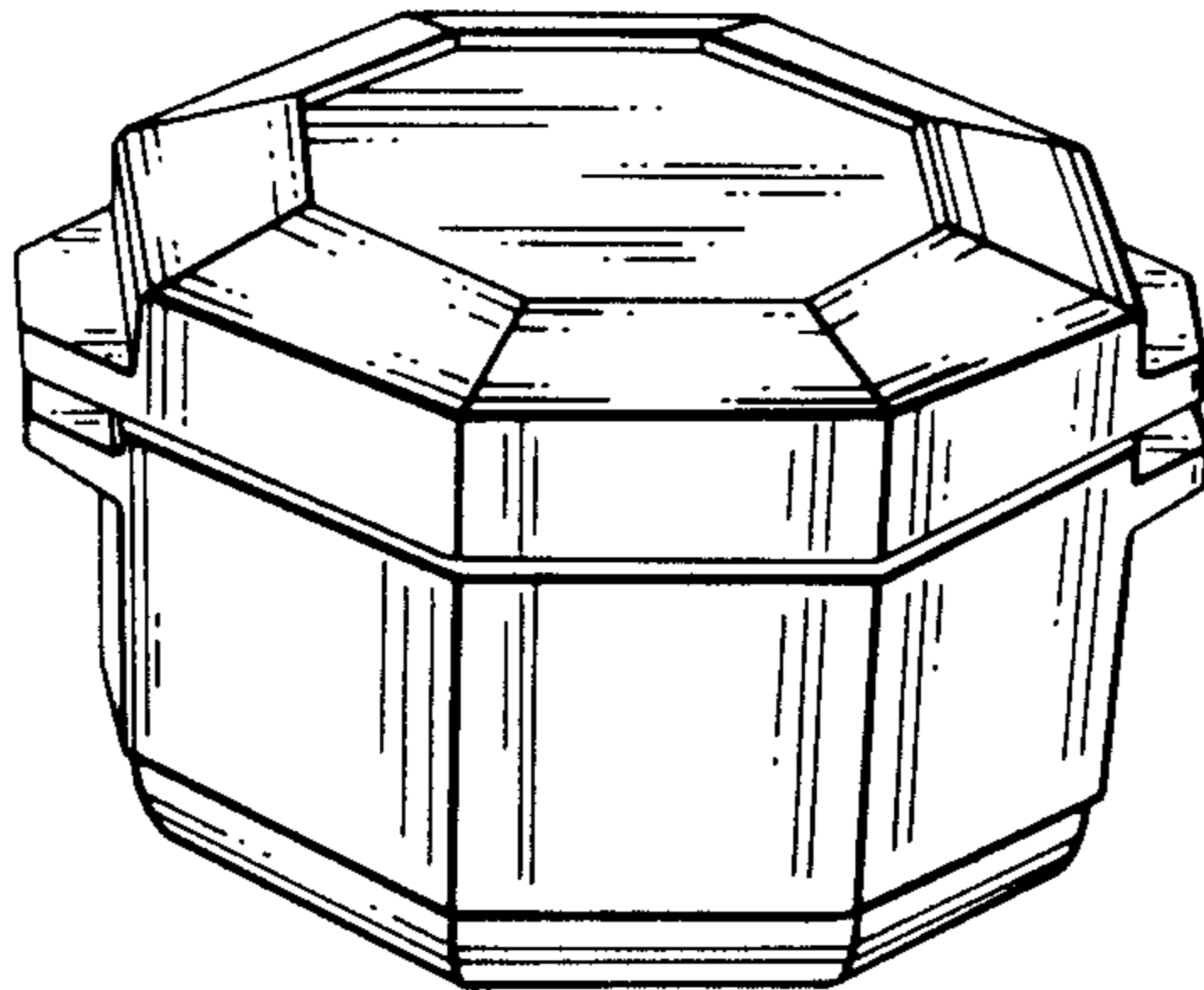
FIG. 1 is a perspective view of a covered dish showing our new design;

FIG. 2 is a side elevational view;

FIG. 3 is an end elevational view;

FIG. 4 is a top plan view; and,

FIG. 5 is a bottom plan view.



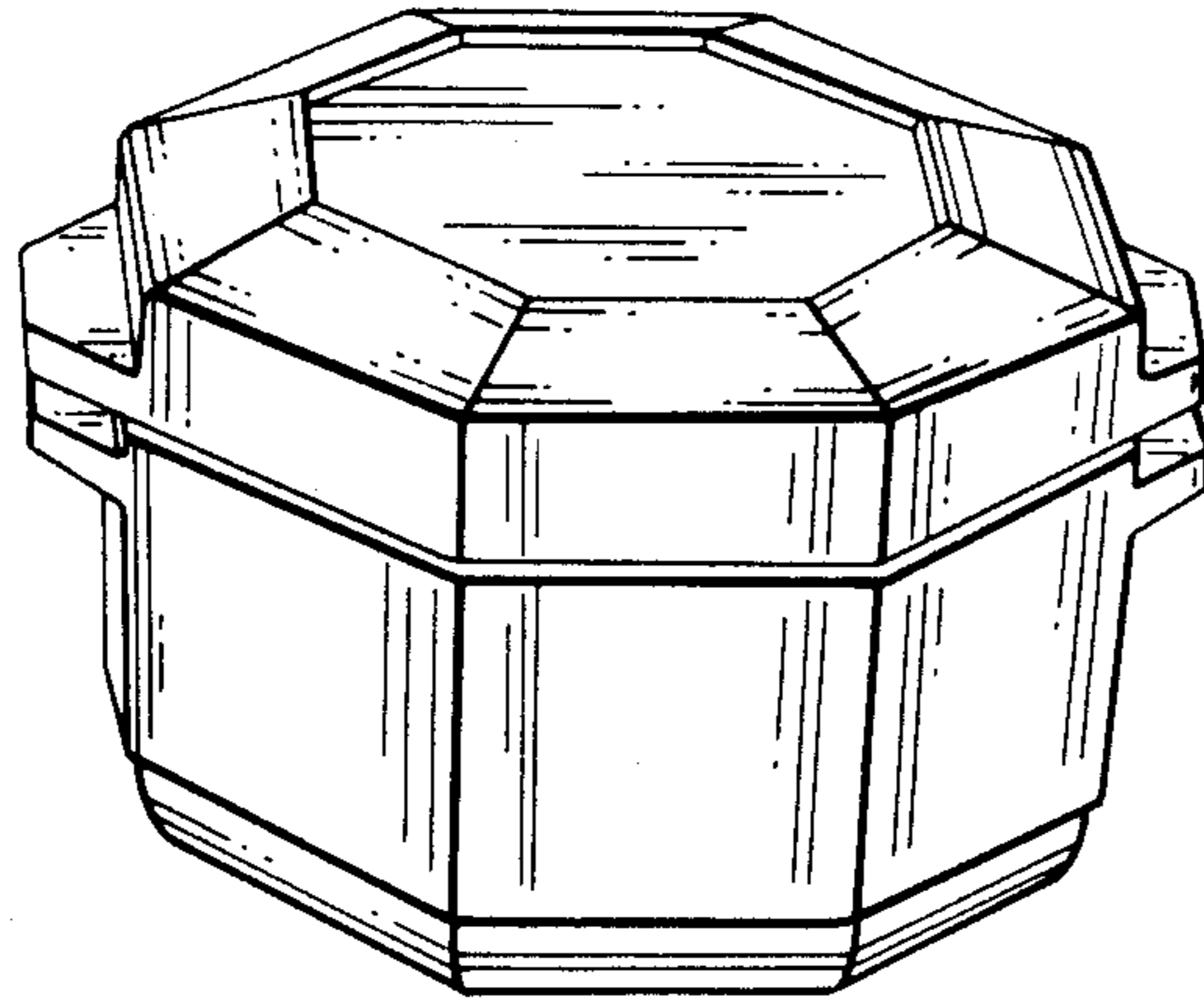


FIG. 1

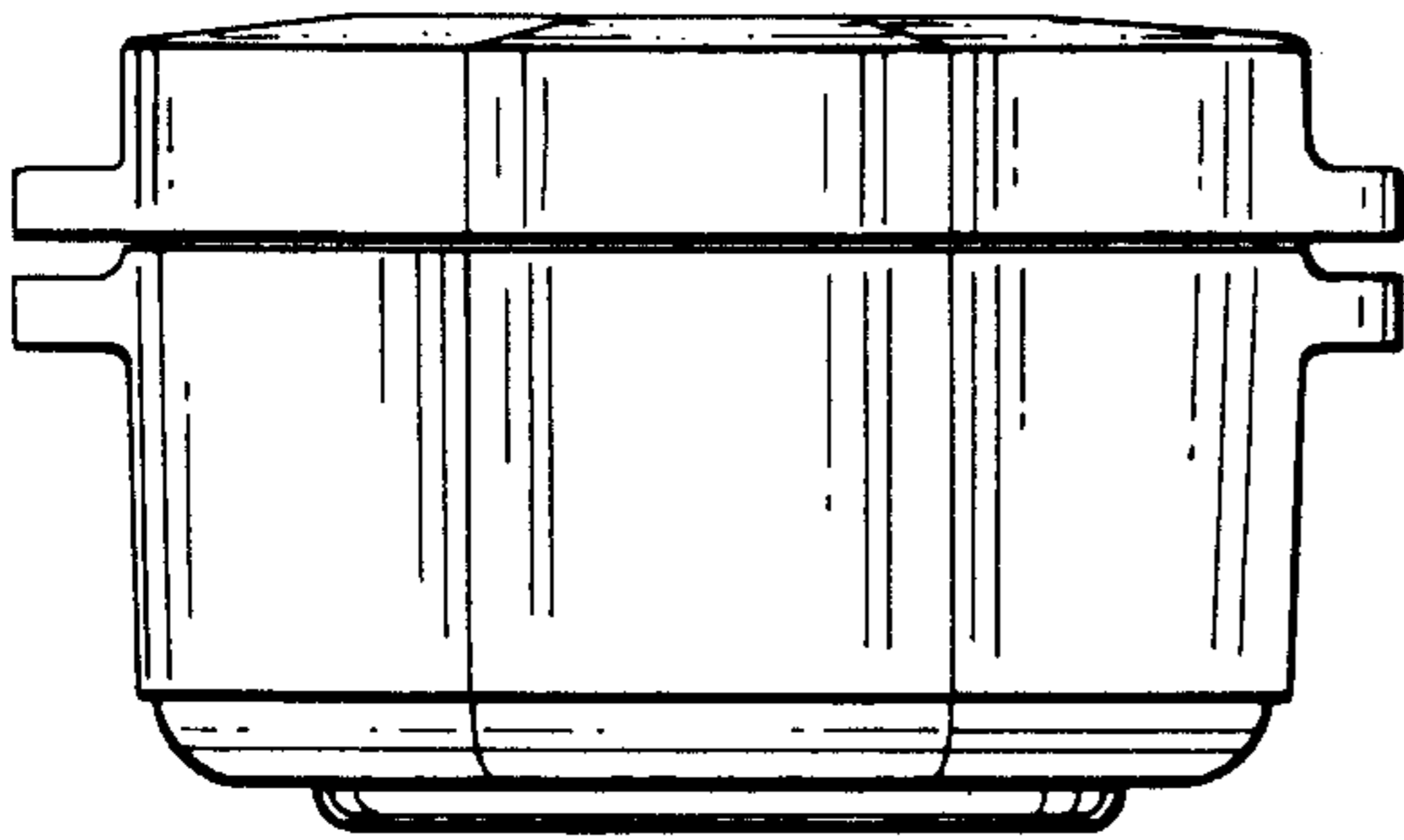


FIG. 2

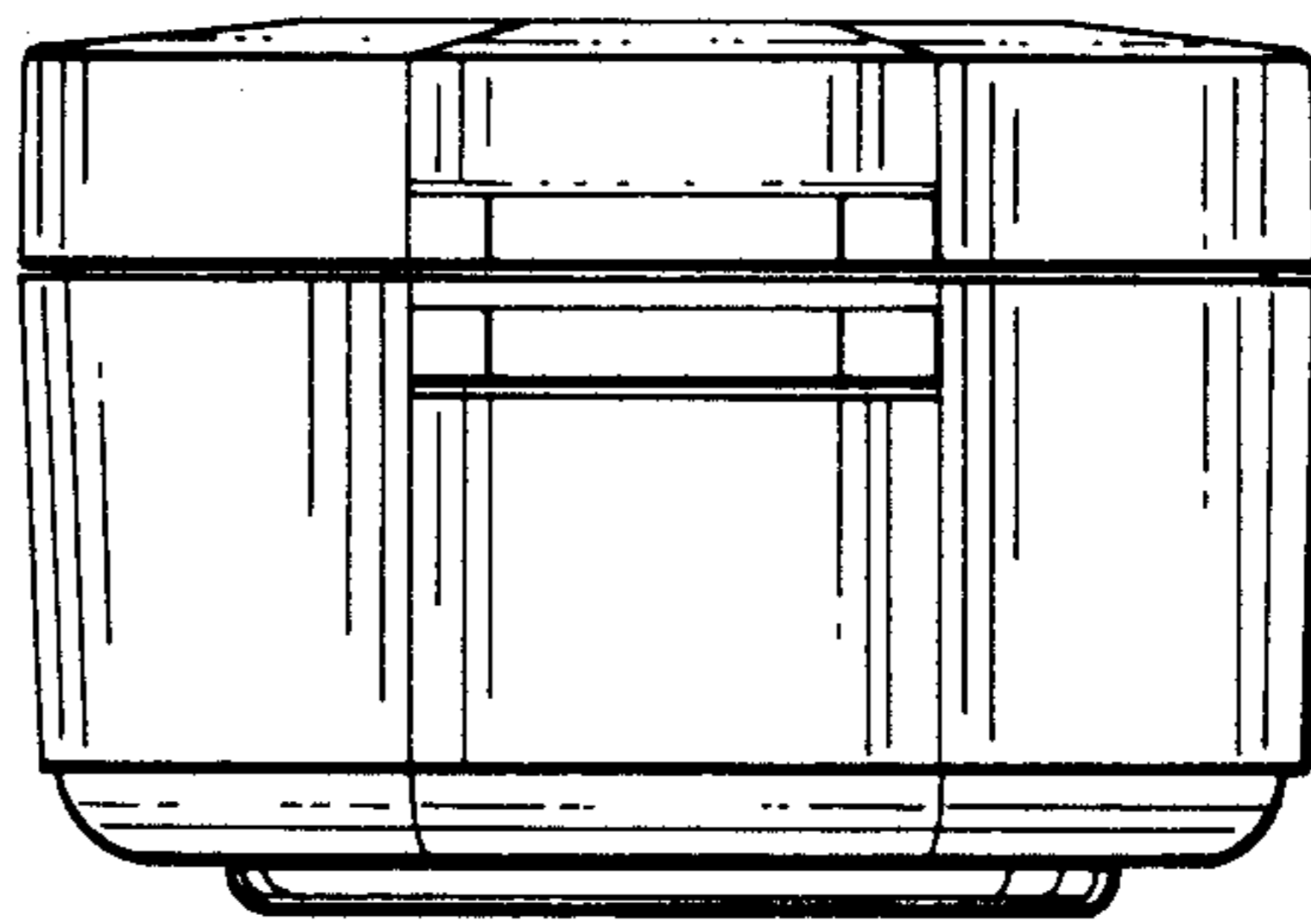


FIG. 3

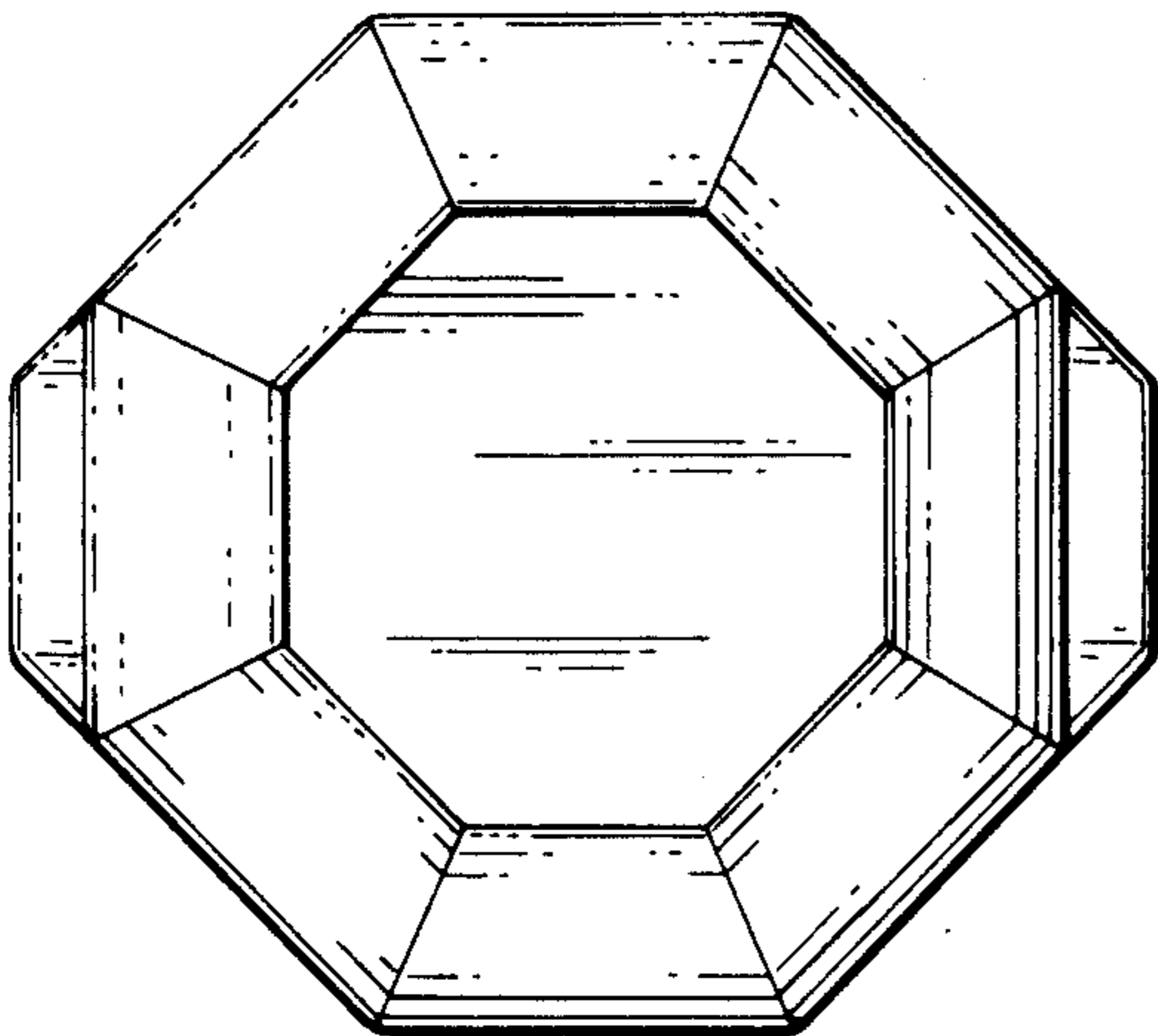


FIG. 4

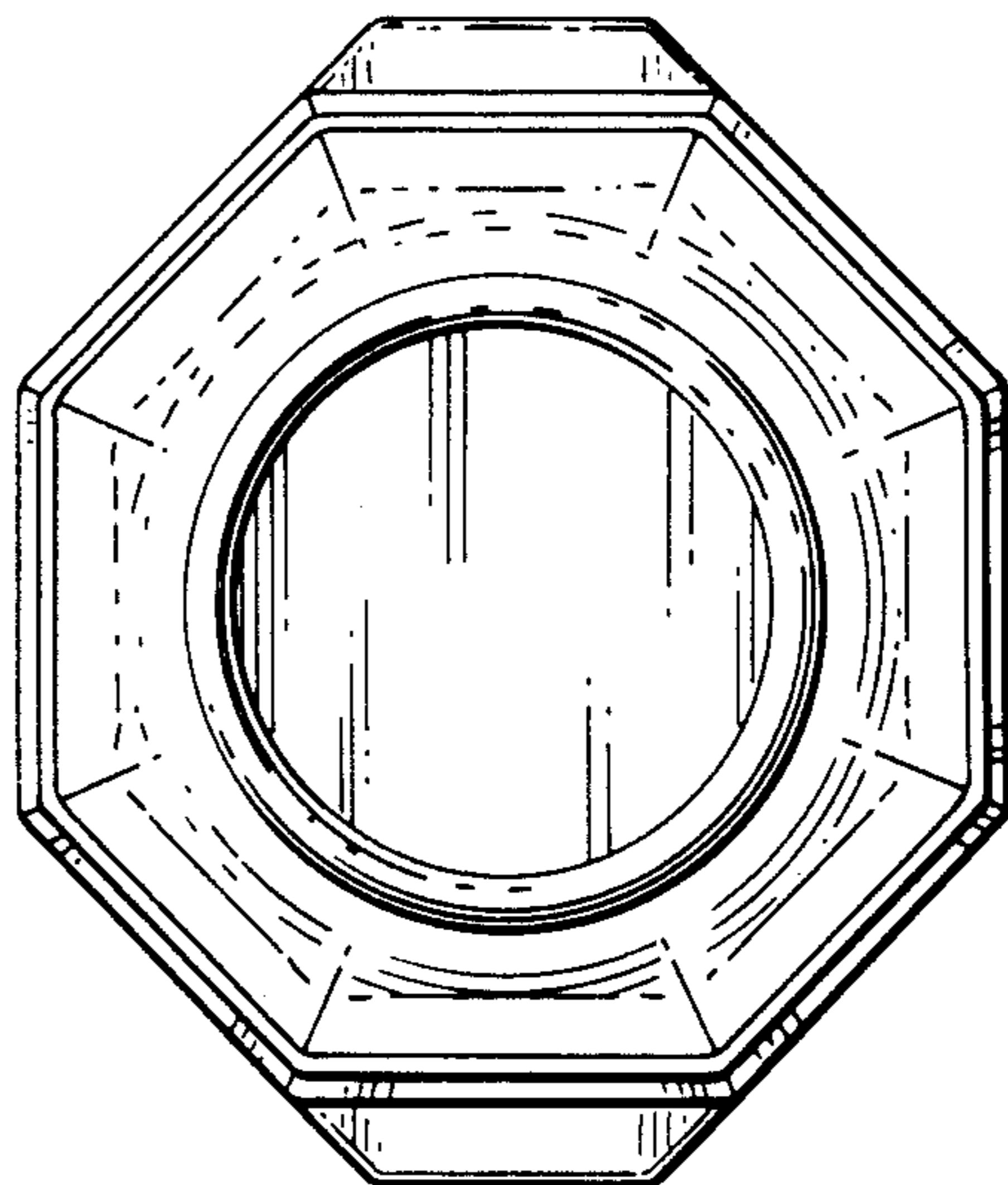


FIG. 5