

[54] PORTABLE WORKBENCH

[75] Inventors: Peter H. Wilson, Sedgefield, England; Lorenzo E. Alessio, Civate, Italy; Ronald P. Hickman, Jersey, Channel Islands

[73] Assignee: Black & Decker Inc., Newark, Del.

[\*\*] Term: 14 Years

[21] Appl. No.: 886,208

[22] Filed: Mar. 13, 1978

[51] Int. Cl. .... D6-03

[52] U.S. Cl. .... D6/178

[58] Field of Search ..... D6/157, 177, 179, 191; 108/127, 144; 248/188.6

[56] References Cited

U.S. PATENT DOCUMENTS

- D. 230,801 3/1974 Hickman ..... D6/179
- D. 237,930 12/1975 Demmer ..... D6/179

- D. 247,538 3/1978 Kocsis ..... D6/179 X
- 4,034,684 7/1977 Carson et al. .... 108/127

OTHER PUBLICATIONS

"Univex Economy Stands", Stand No. E1A.

Primary Examiner—Bruce W. Dunkins  
Attorney, Agent, or Firm—Walter Ottesen

[57] CLAIM

The ornamental design for the portable workbench, as shown.

DESCRIPTION

FIG. 1 is a front view of the workbench, taken from slightly above the level of the workbench top;  
 FIG. 2 is a view of the left-hand side of the workbench, also taken from slightly above the level of the workbench top;  
 FIG. 3 is a perspective view taken from the rear, left-hand side of the workbench; and  
 FIG. 4 is a perspective view taken from the front, right-hand side of the workbench.

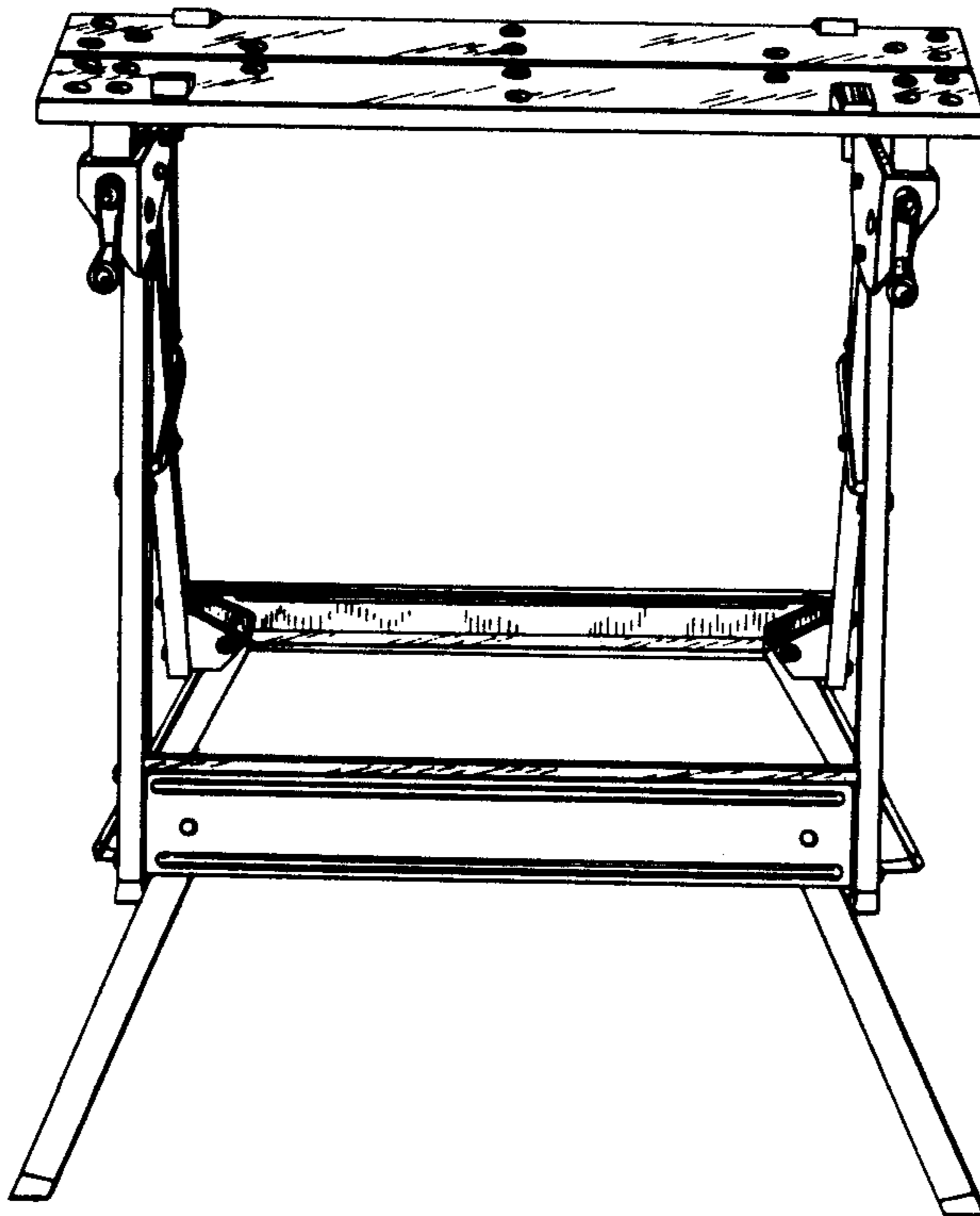


FIG. 1

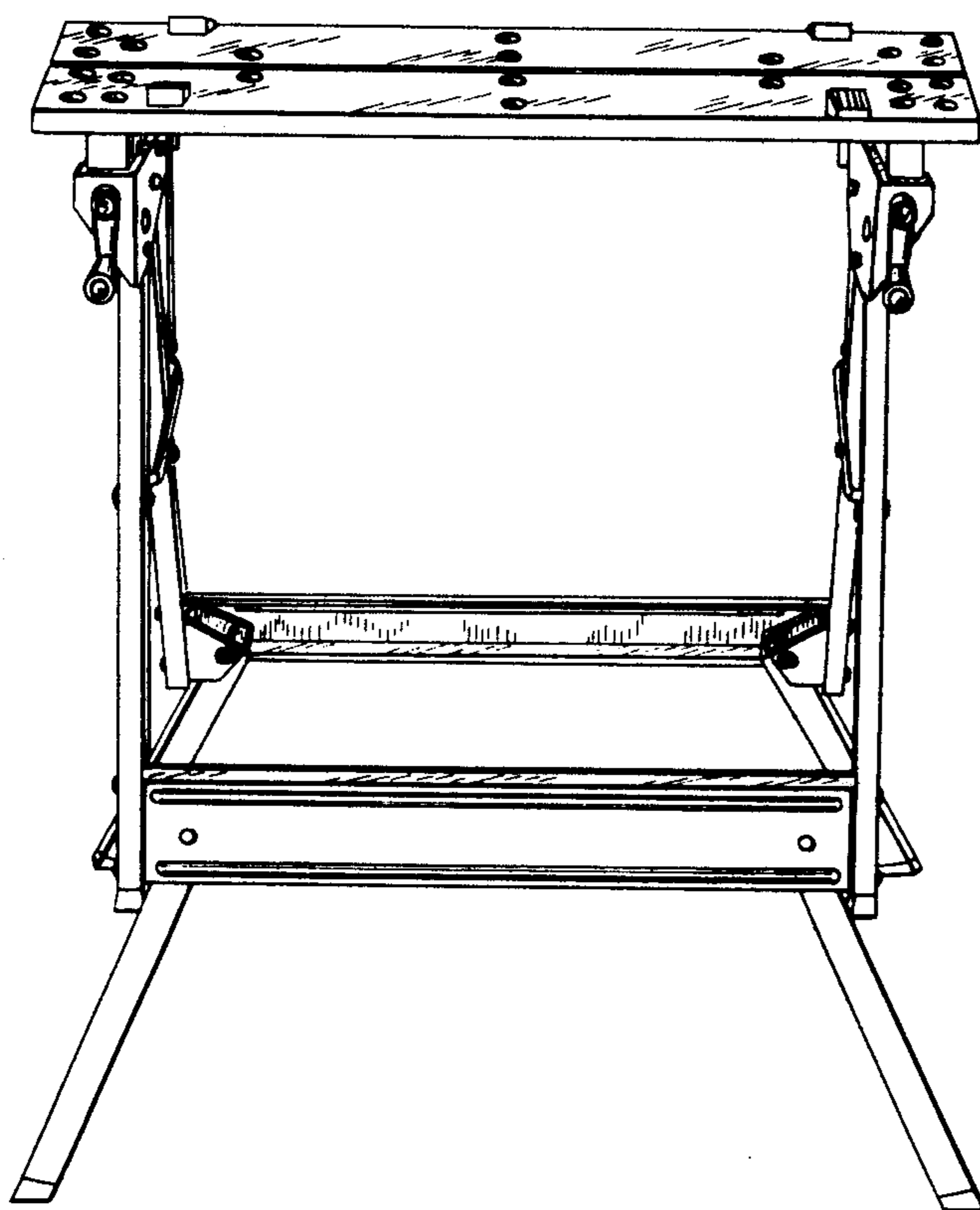


FIG. 2

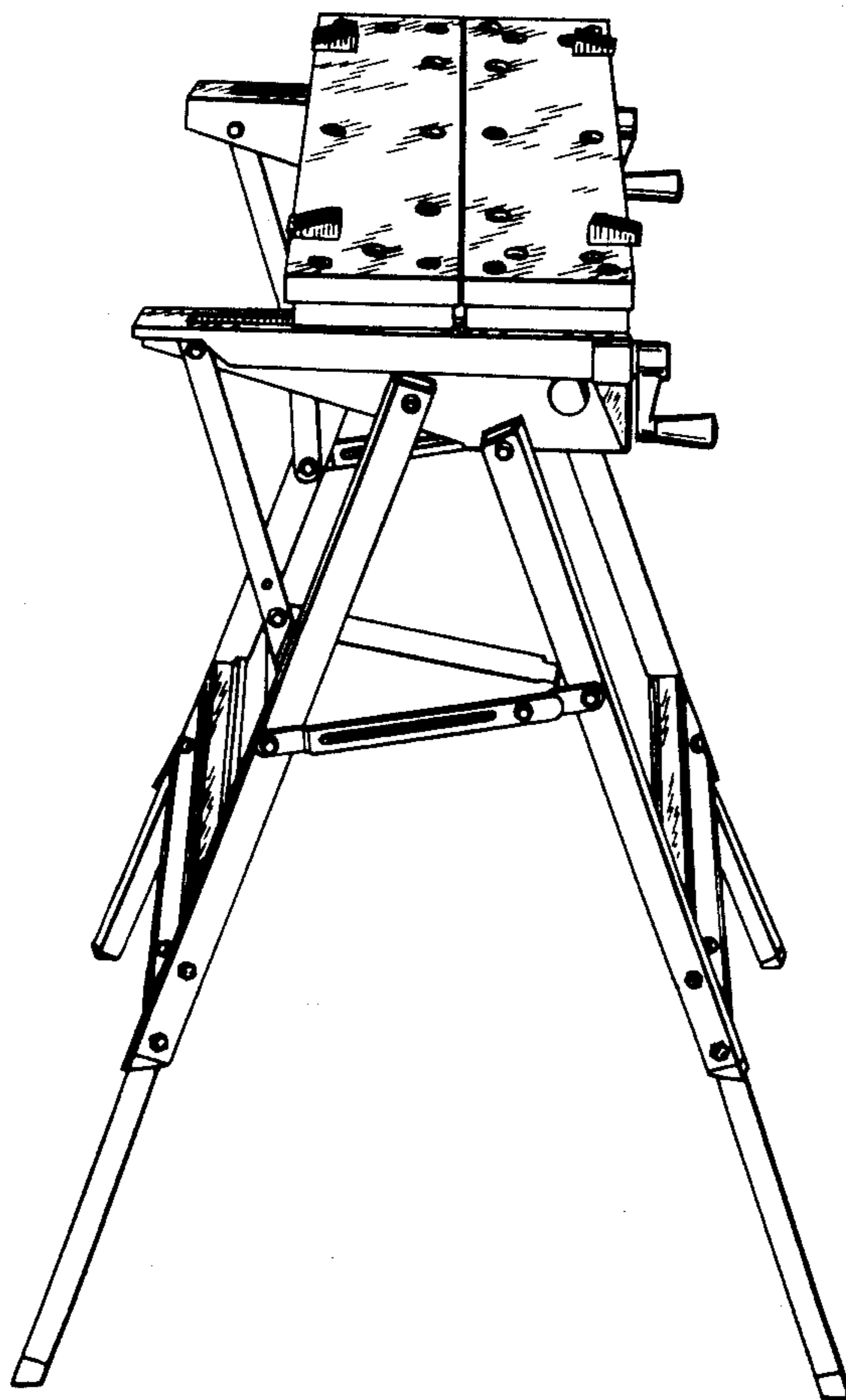


FIG. 3



FIG. 4

