

[54] COMBINED RACK FOR HAIRDRESSING INSTRUMENTS OR THE LIKE AND ELECTRICAL CORD THEREFOR

2,957,584 10/1960 Jenkins 211/90
3,207,317 9/1965 Moore et al. 211/13
3,627,248 12/1971 Nelson 248/309

[76] Inventor: Nicholas C. Chiklis, 60 Passaconway Dr., Dracut, Mass. 01826

Primary Examiner—Wallace R. Burke
Assistant Examiner—B. J. Bullock
Attorney, Agent, or Firm—John H. Pearson

[**] Term: 14 Years

[21] Appl. No.: 889,614

[22] Filed: Mar. 23, 1978

[51] Int. Cl. D6—04

[52] U.S. Cl. D6/125; D6/86;
D6/132; D6/157

[58] Field of Search D6/114—116,
D6/125, 130—132, 134—137, 157, 86; 211/13, 60
R, 60 T, 87, 88, 90, 153; 248/309 R; 108/152

[56] References Cited

U.S. PATENT DOCUMENTS

D. 251,881 5/1979 Shirley D6/86

[57] CLAIM

The ornamental design for a combined rack for hair-dressing instruments or the like and electrical cord therefor, substantially as shown and described.

DESCRIPTION

FIG. 1 is a top plan view of a combined rack for hair-dressing instruments or the like and electrical cord therefor showing my new design;
FIG. 2 is a top perspective view thereof;
FIG. 3 is a side elevational view taken from the left of FIG. 2;
FIG. 4 is a bottom perspective view thereof.
The electrical cord is shown broken away in all views to indicate indeterminate length.

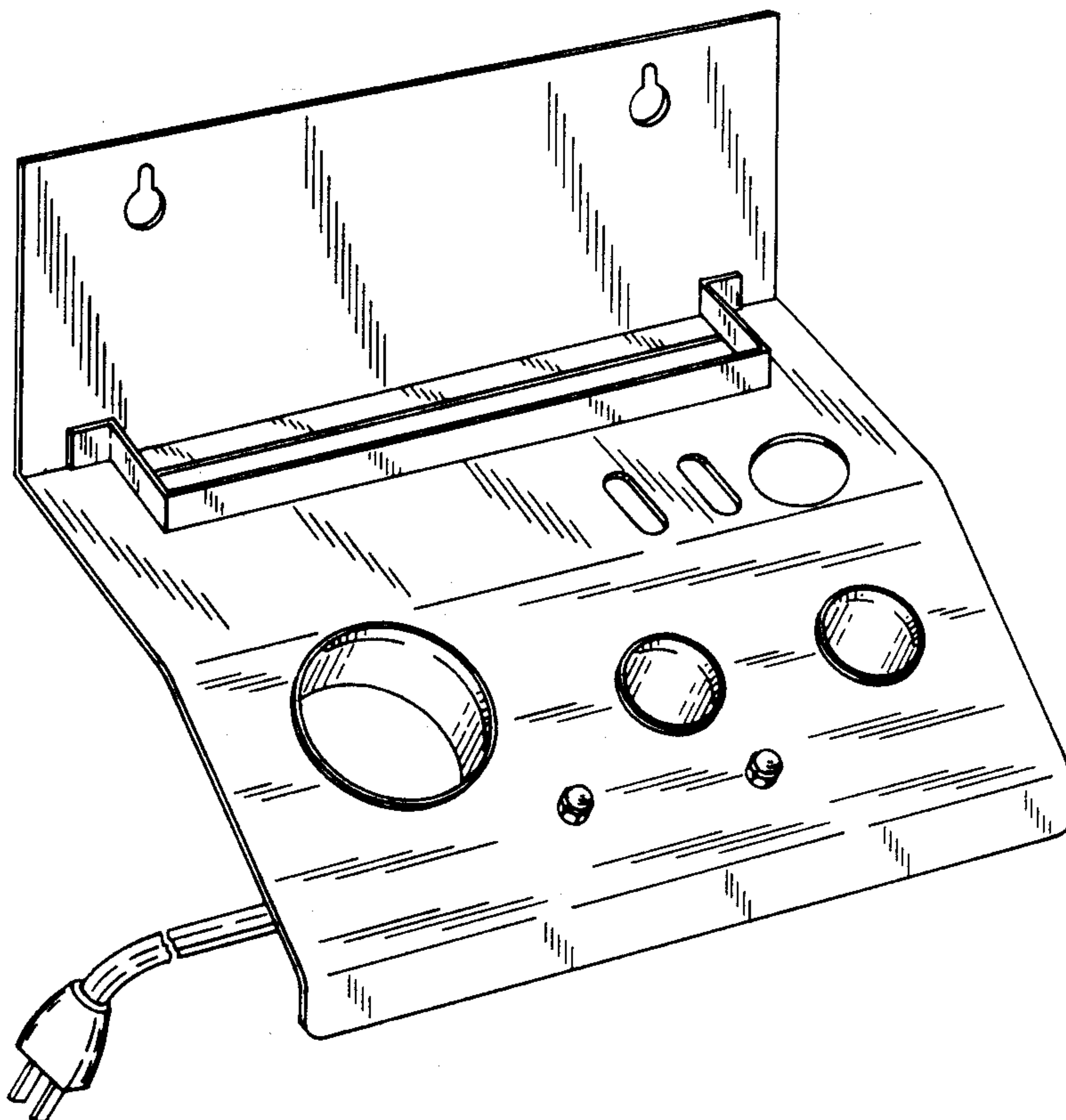


Fig. 1.

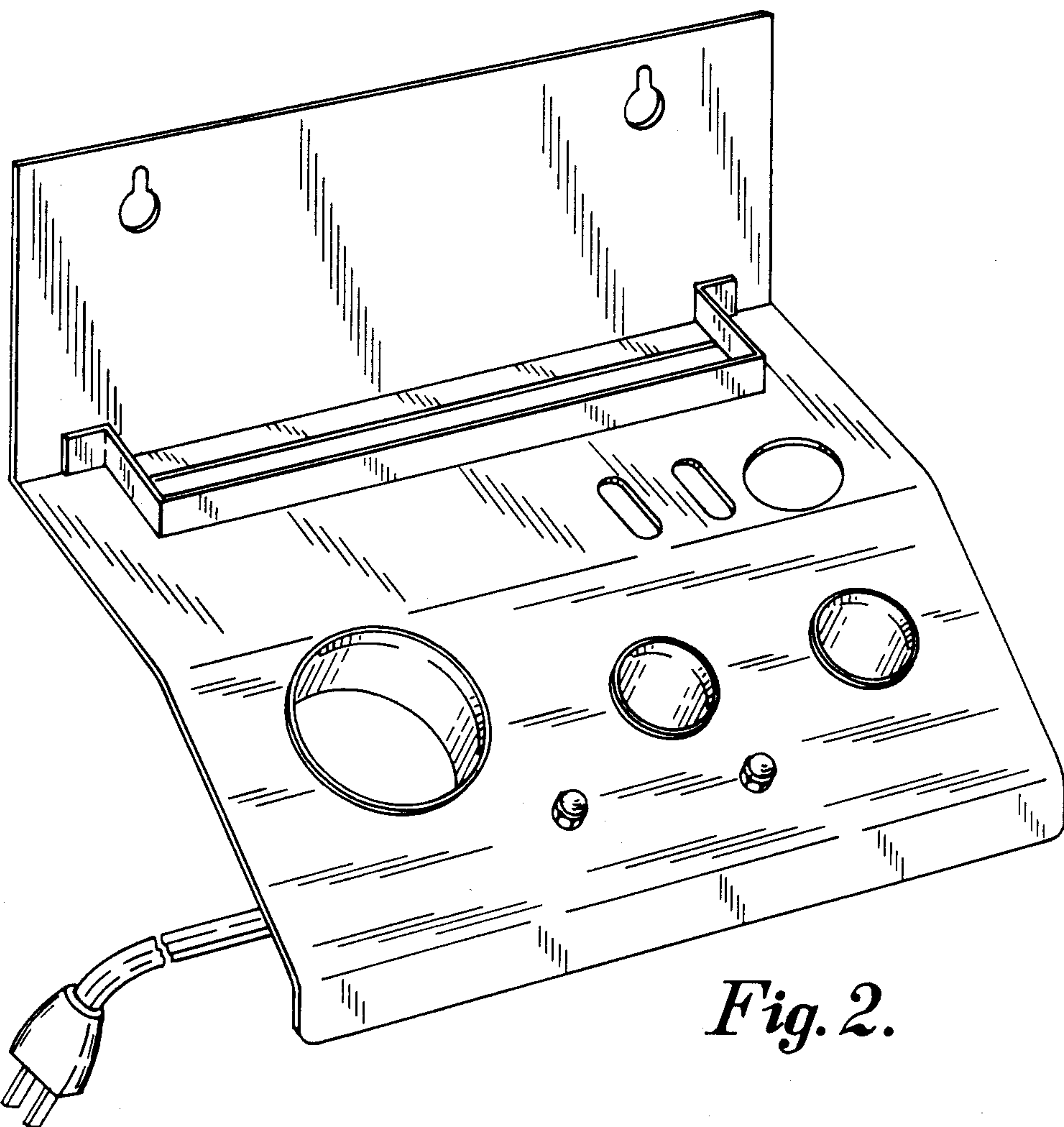
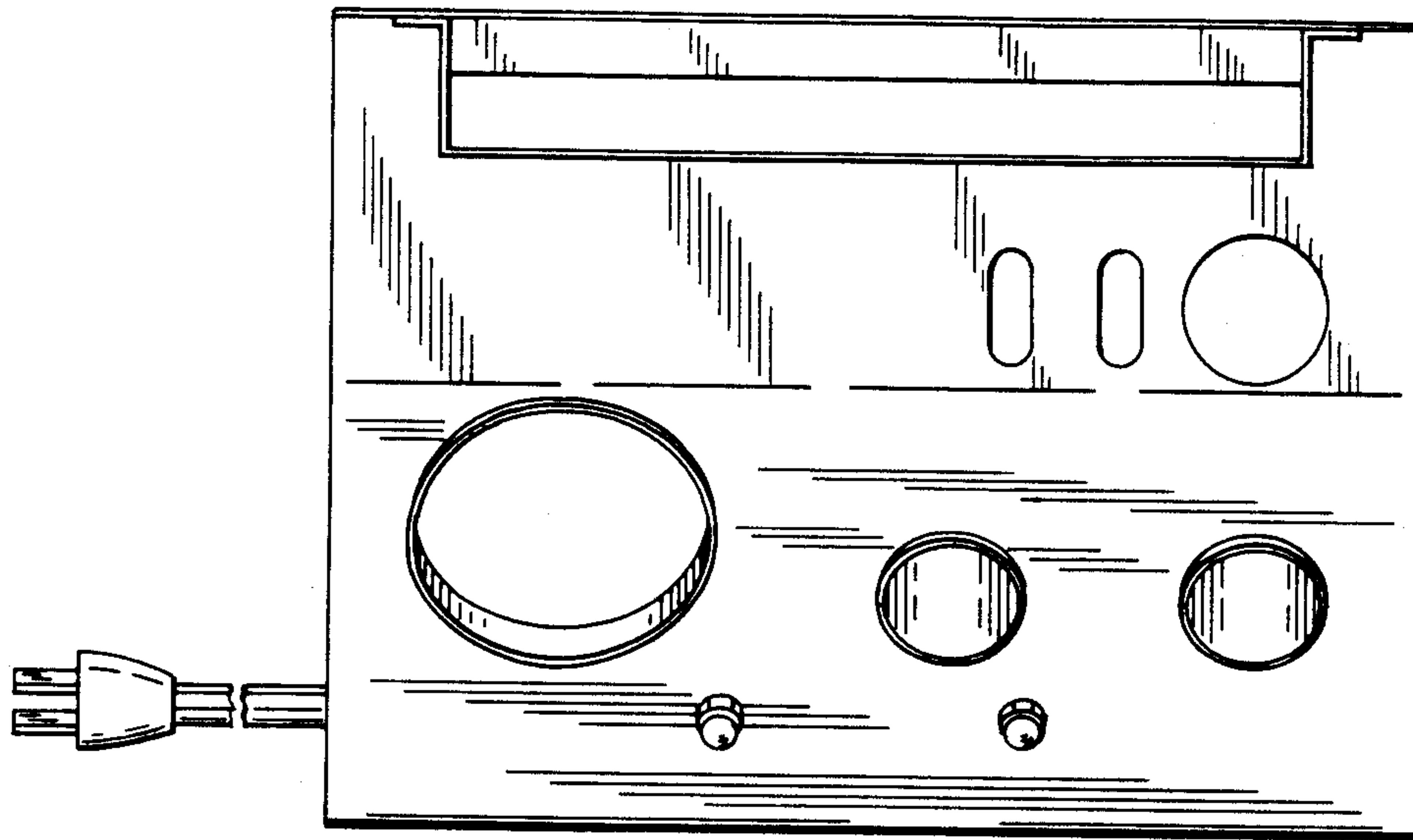


Fig. 2.

Fig. 3.

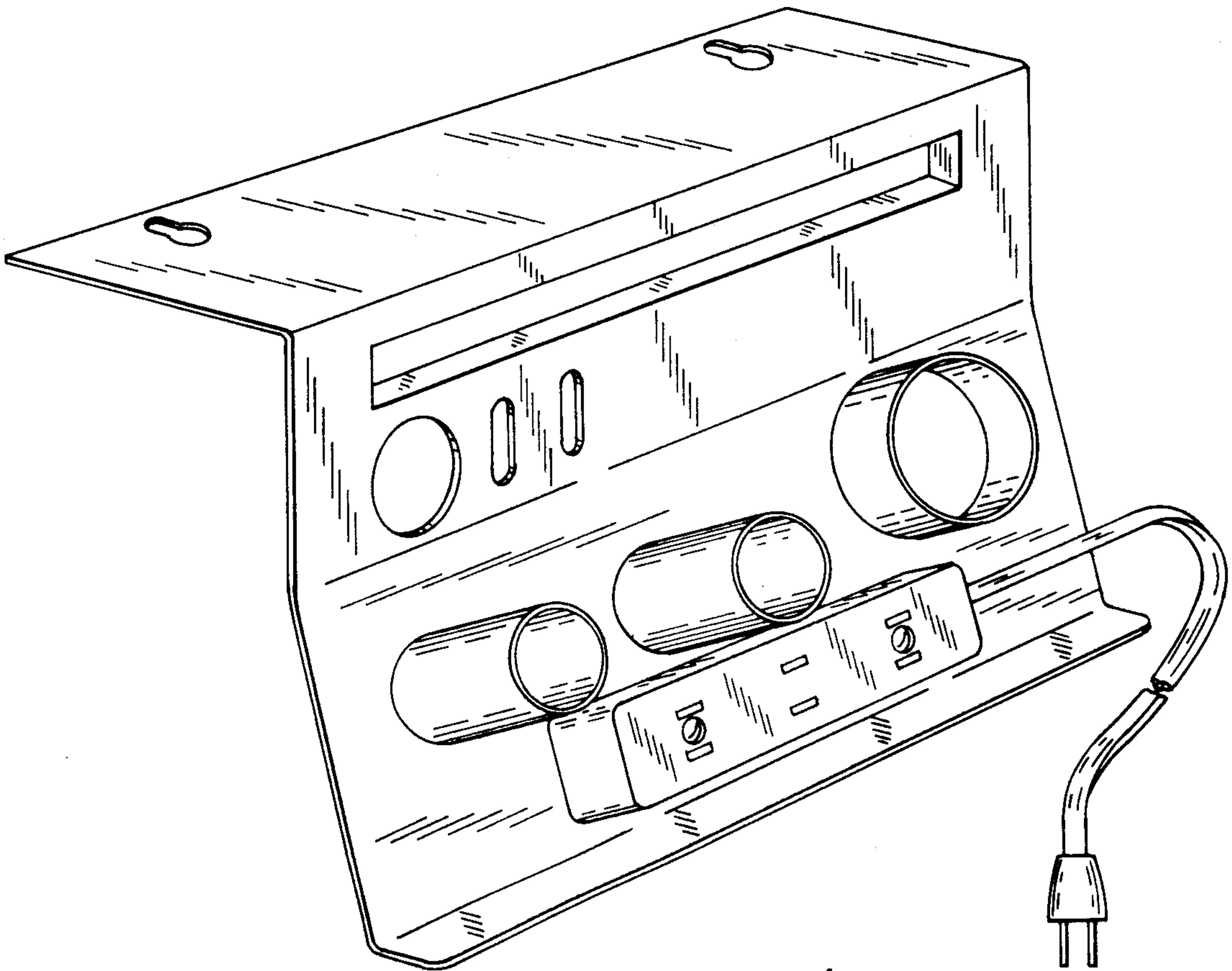
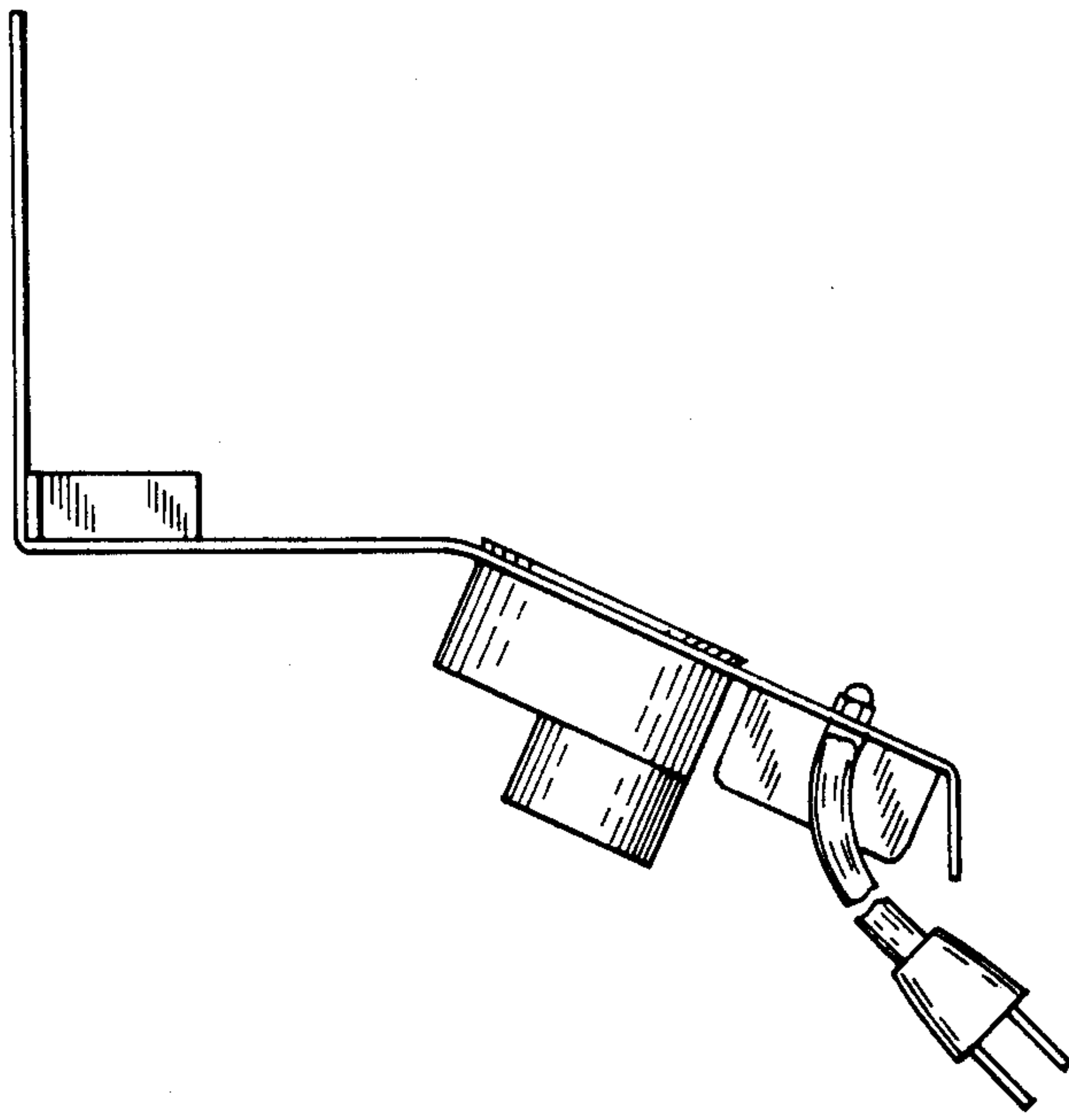


Fig. 4.