

[54] PICTURE FRAME MOULDING

[56]

References Cited

U.S. PATENT DOCUMENTS

[75] Inventor: Johannes Vihma, Toronto, Canada

D. 34,792	7/1901	Cole	D25/74
D. 239,237	3/1976	Vihma	D6/192 X
D. 239,808	5/1976	Vihma	D25/74

[73] Assignee: Artistic Woodwork Co. Ltd.

Primary Examiner—A. Hugo Word
Attorney, Agent, or Firm—Roy H. Saffrey

[**] Term: 14 Years

[57] CLAIM

[21] Appl. No.: 879,708

The ornamental design for a picture frame moulding, as shown and described.

[22] Filed: Feb. 21, 1978

DESCRIPTION

[51] Int. Cl. D25—01

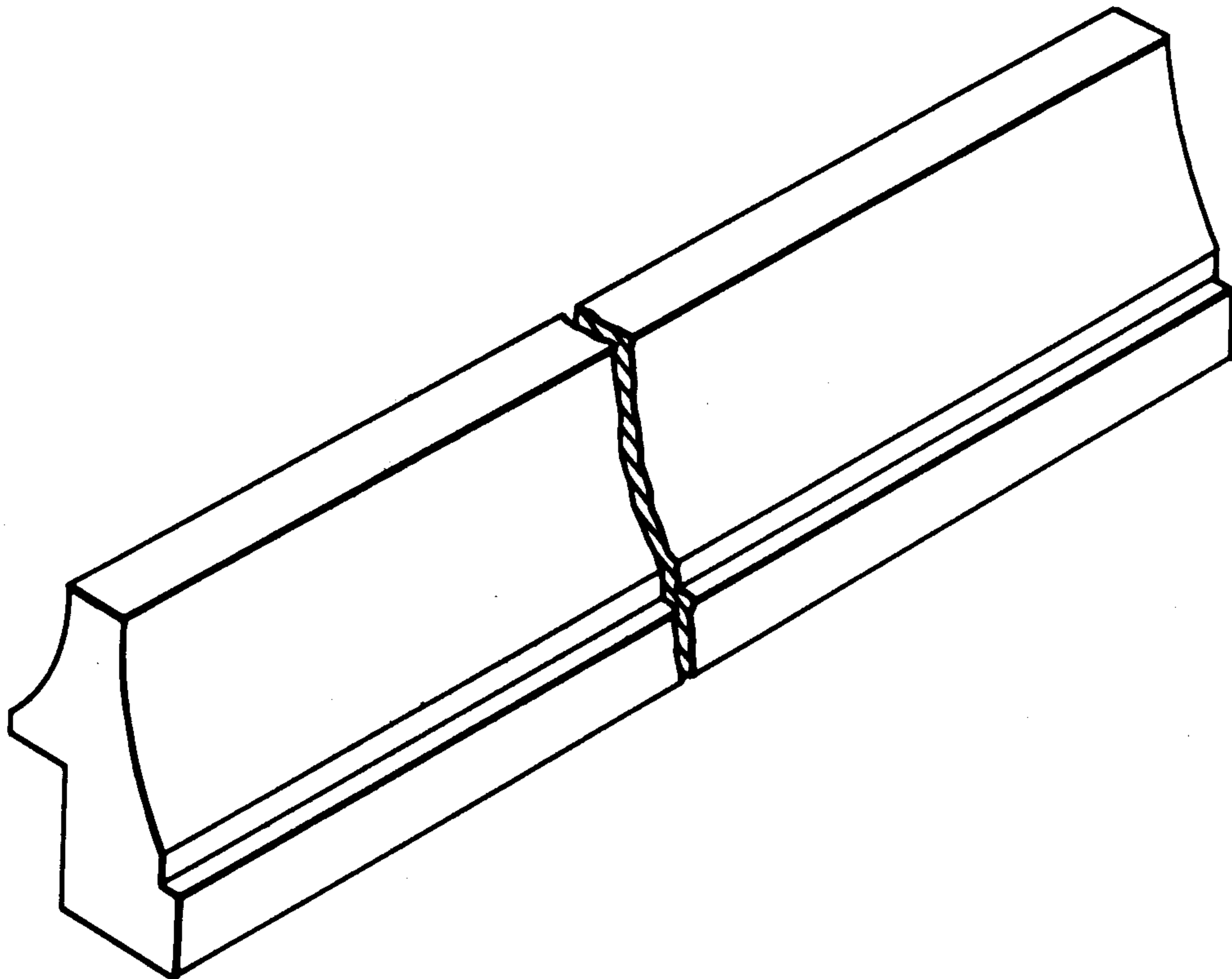
FIG. 1 is a front view of a moulding according to my invention;

[52] U.S. Cl. D25/74; D25/79

FIG. 2 is a perspective view of the outer side face and top face of the moulding of FIG. 1;

[58] Field of Search D25/73, 74, 79; D6/171, D6/192, 246; 40/152, 153, 154, 158

FIG. 3 is a perspective back view of the inner side face and back face of the moulding of FIG. 1; and
FIG. 4 is an end view of the moulding.



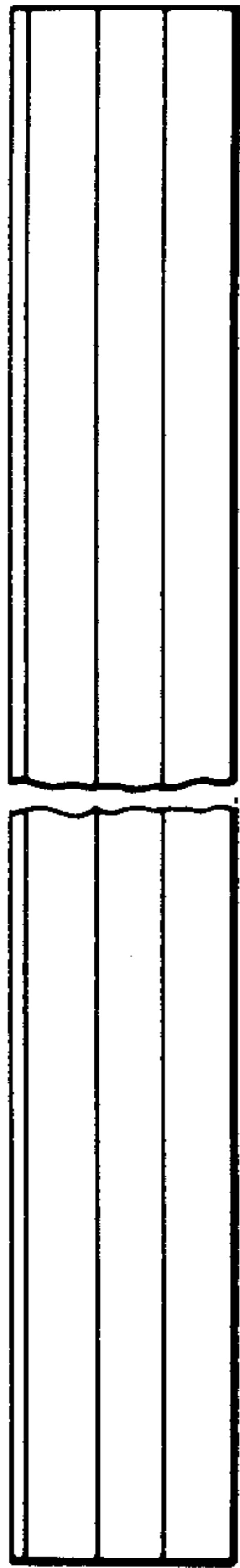


FIG. 1

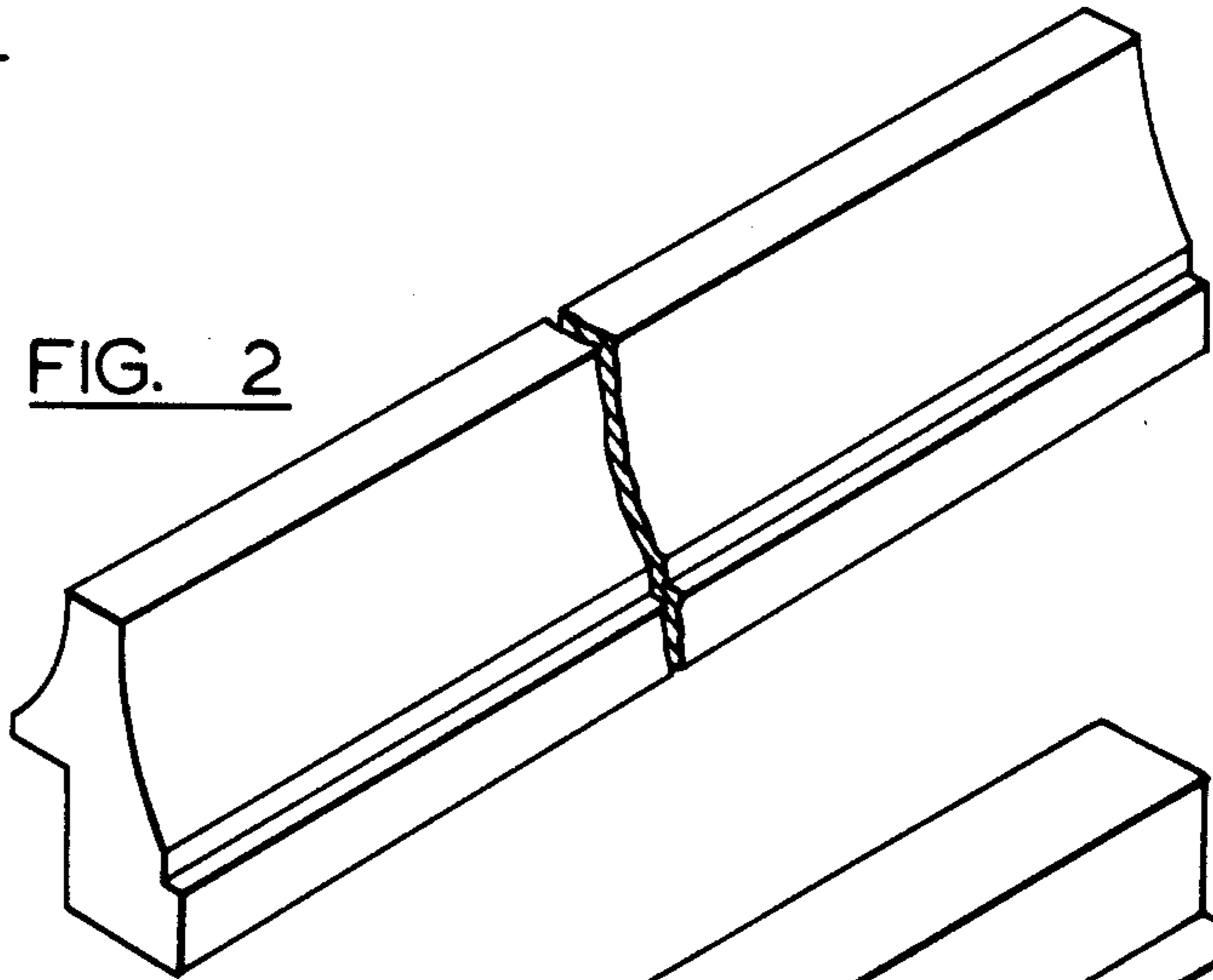


FIG. 2

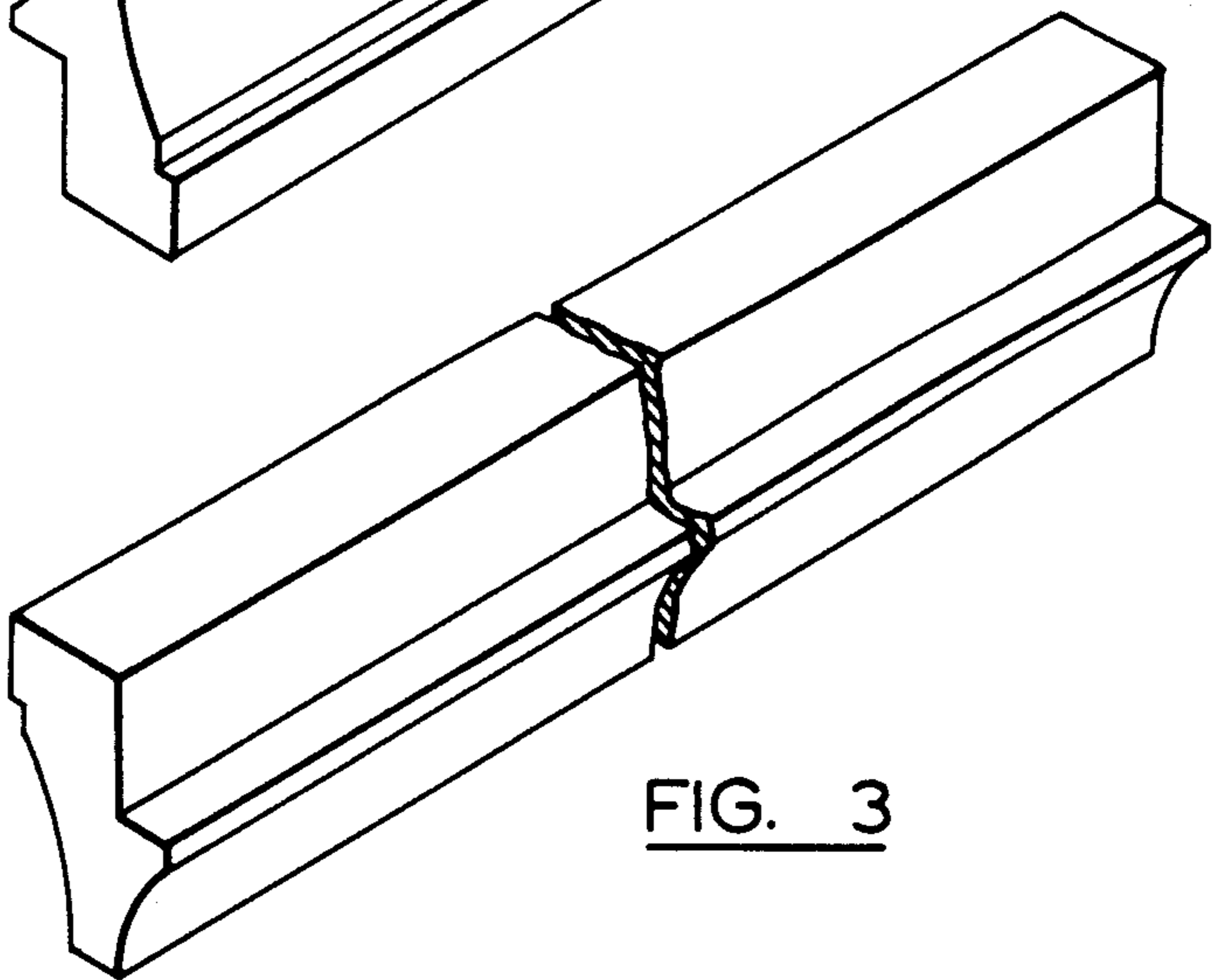


FIG. 3

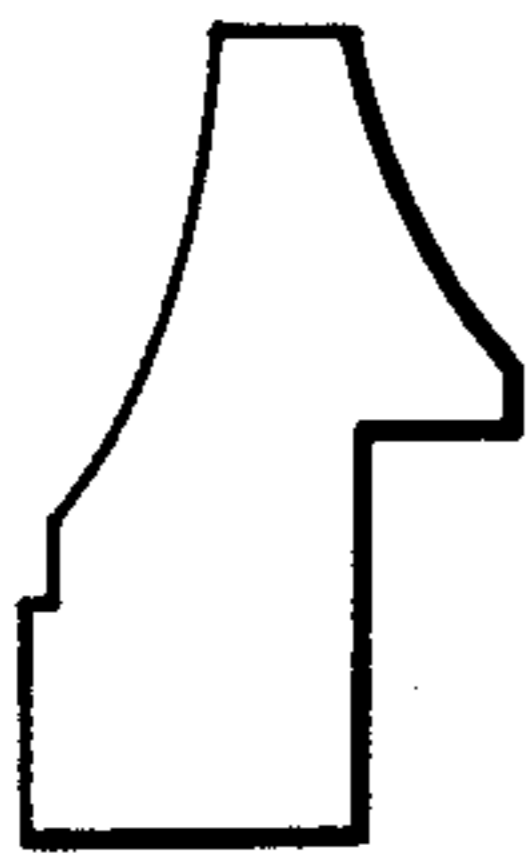


FIG. 4