

[54] COVER FOR A STEP

[75] Inventor: Miles Klein, N. Hollywood, Calif.

[73] Assignee: Contempo Campers, Inc.

[**] Term: 14 Years

[21] Appl. No.: 965,681

[22] Filed: Dec. 4, 1978

[51] Int. Cl. D25-02

[52] U.S. Cl. D25/69; D12/203

[58] Field of Search D25/69; D12/203;
52/177, 179, 181; 182/228

[56] References Cited

U.S. PATENT DOCUMENTS

D. 112,720 12/1938 Pryale D25/69
D. 167,994 10/1952 McKay D25/69

Primary Examiner—James M. Gandy
Attorney, Agent, or Firm—Ralph B. Pastoriza

[57] CLAIM

The ornamental design for a cover for a step, substantially as shown.

DESCRIPTION

FIG. 1 is a perspective view of a cover for a step showing my new design;

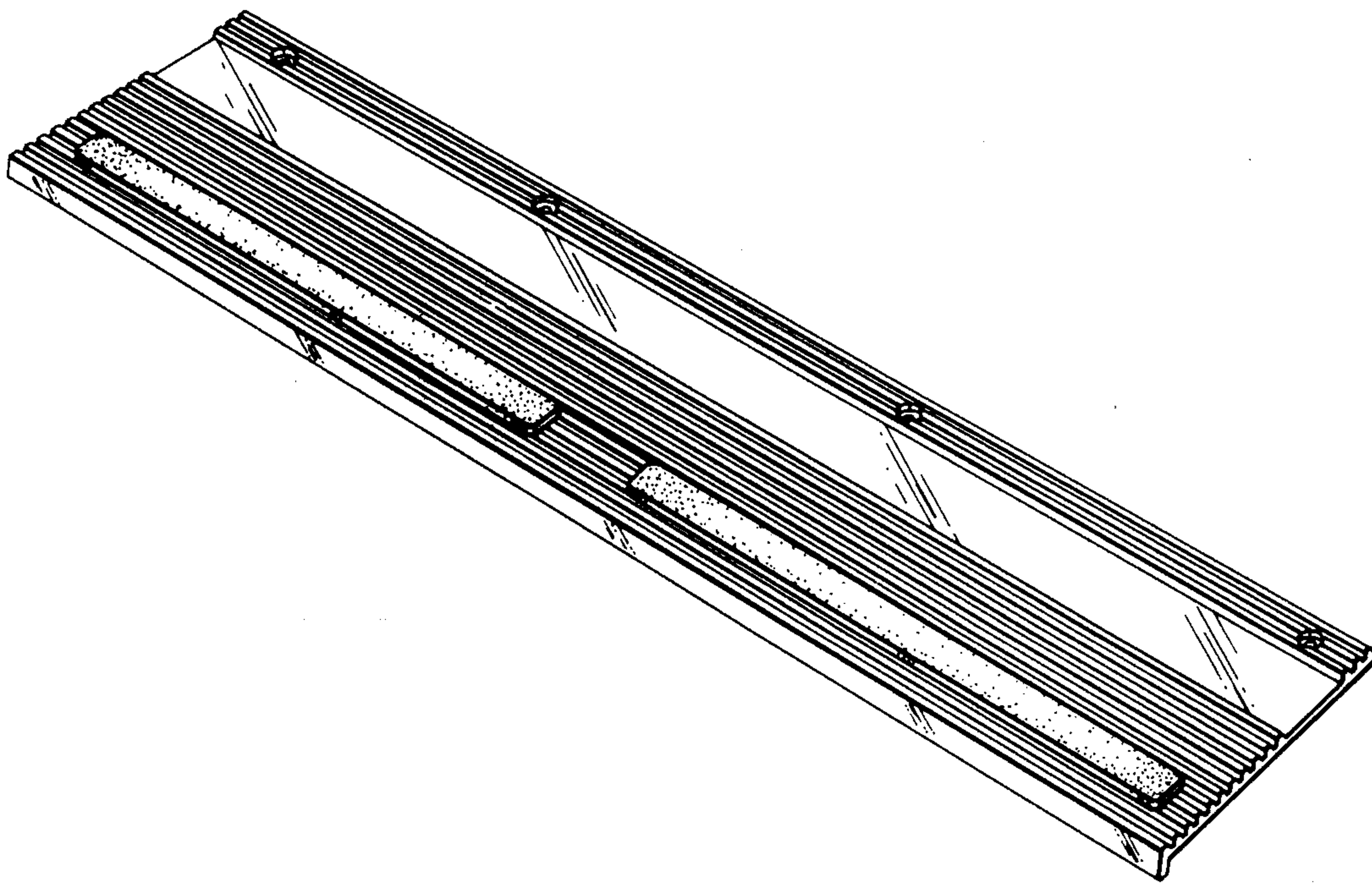
FIG. 2 is a side elevational view thereof;

FIG. 3 is a top plan view thereof;

FIG. 4 is a bottom plan view thereof;

FIG. 5 is a left end elevational view thereof; and

FIG. 6 is a right end elevational view thereof.



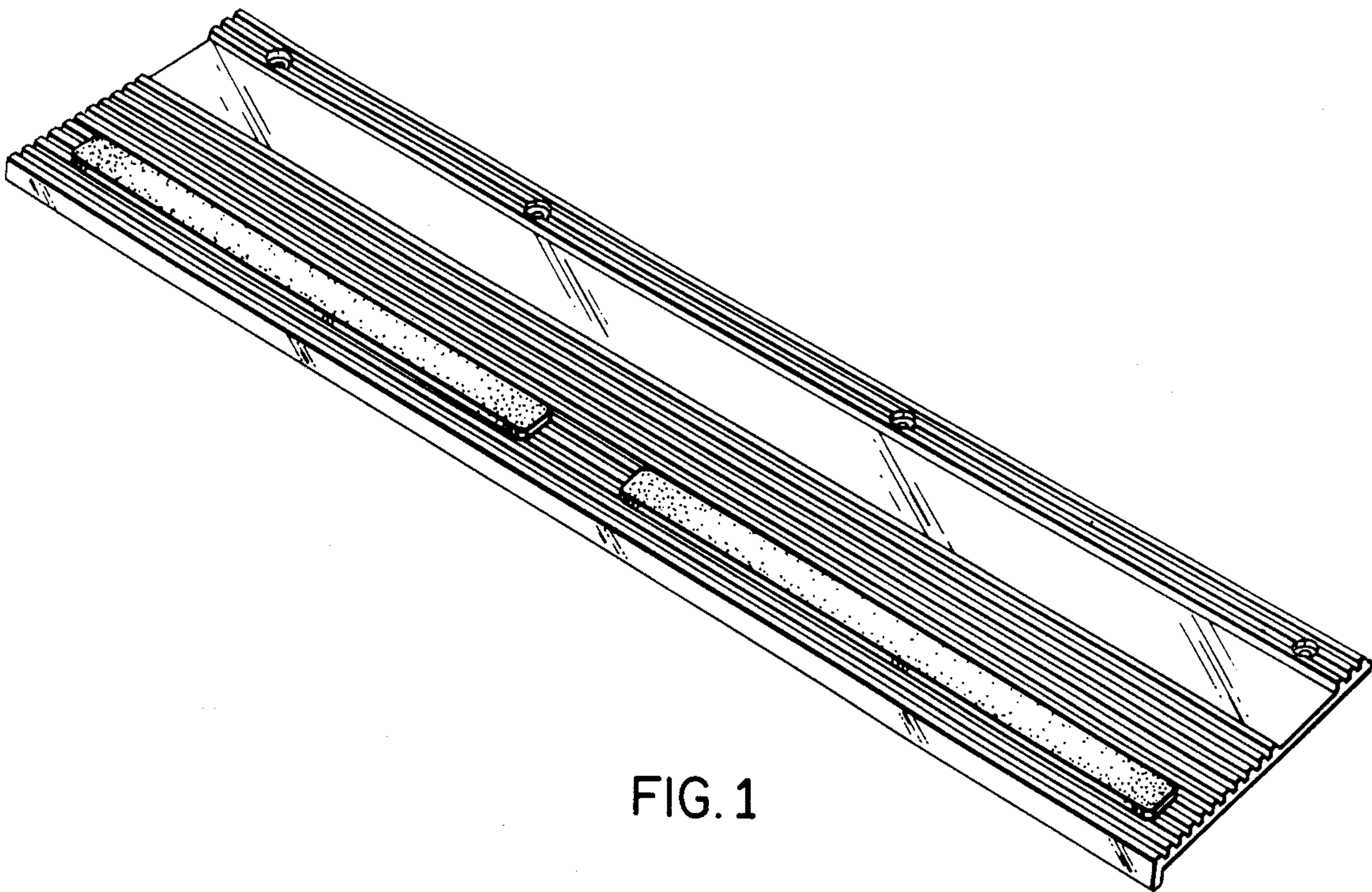


FIG. 1



FIG. 2

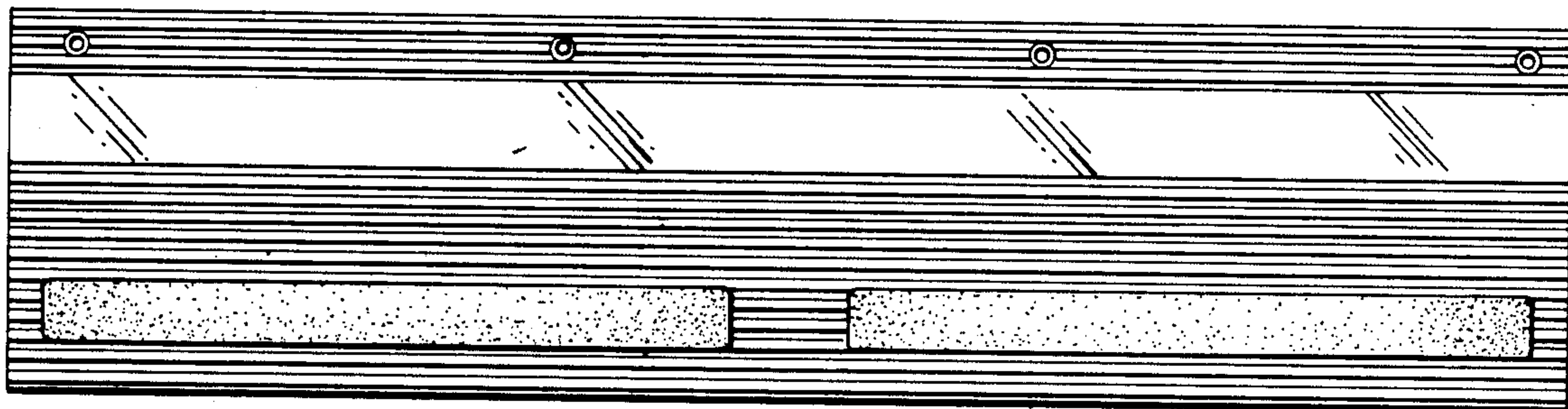


FIG. 3

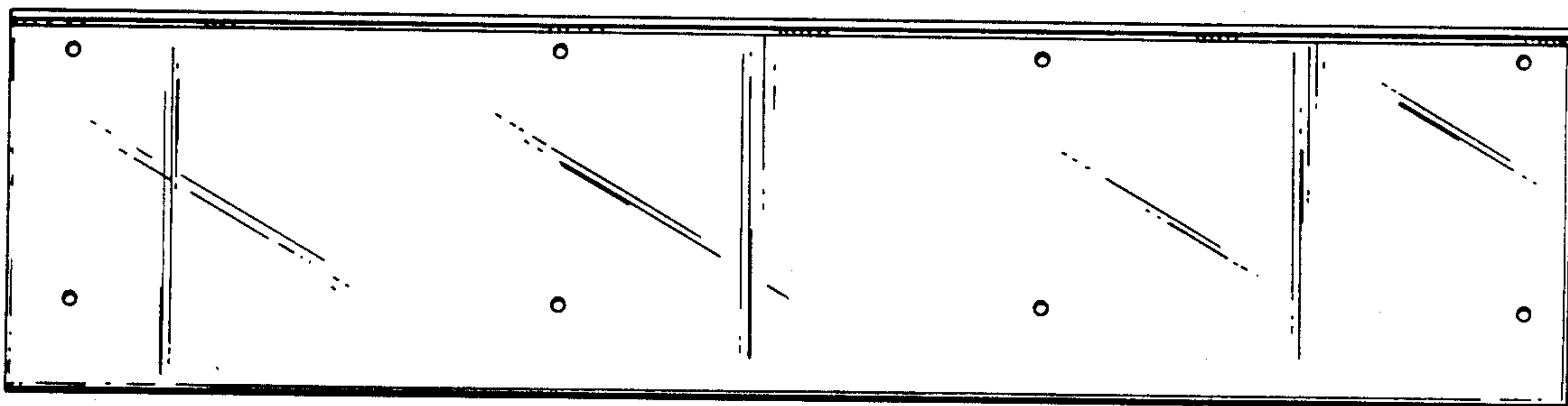


FIG. 4



FIG. 5



FIG. 6