

[54] **DOUBLE LUMEN CATHETER INSERT**

[75] Inventor: Anton H. Clemens, Elkhart, Ind.

[73] Assignee: Miles Laboratories, Inc., Elkhart, Ind.

[**] Term: 14 Years

[21] Appl. No.: 877,428

[22] Filed: Feb. 13, 1978

[51] Int. Cl. D24-02

[52] U.S. Cl. D24/54; D24/51;
D24/52; 128/221

[58] Field of Search 128/349 R, 214.4, 221,
128/348, 214 G; D24/54, 24, 25, 51, 52, 53, 60,
61

[56]

References Cited

U.S. PATENT DOCUMENTS

D. 199,488	11/1964	Beall	D24/53
2,261,213	11/1941	Bierman	128/214 G
3,774,604	11/1973	Danielsson	128/214.4

Primary Examiner—Sam Rosen

Attorney, Agent, or Firm—Joseph C. Schwalbach

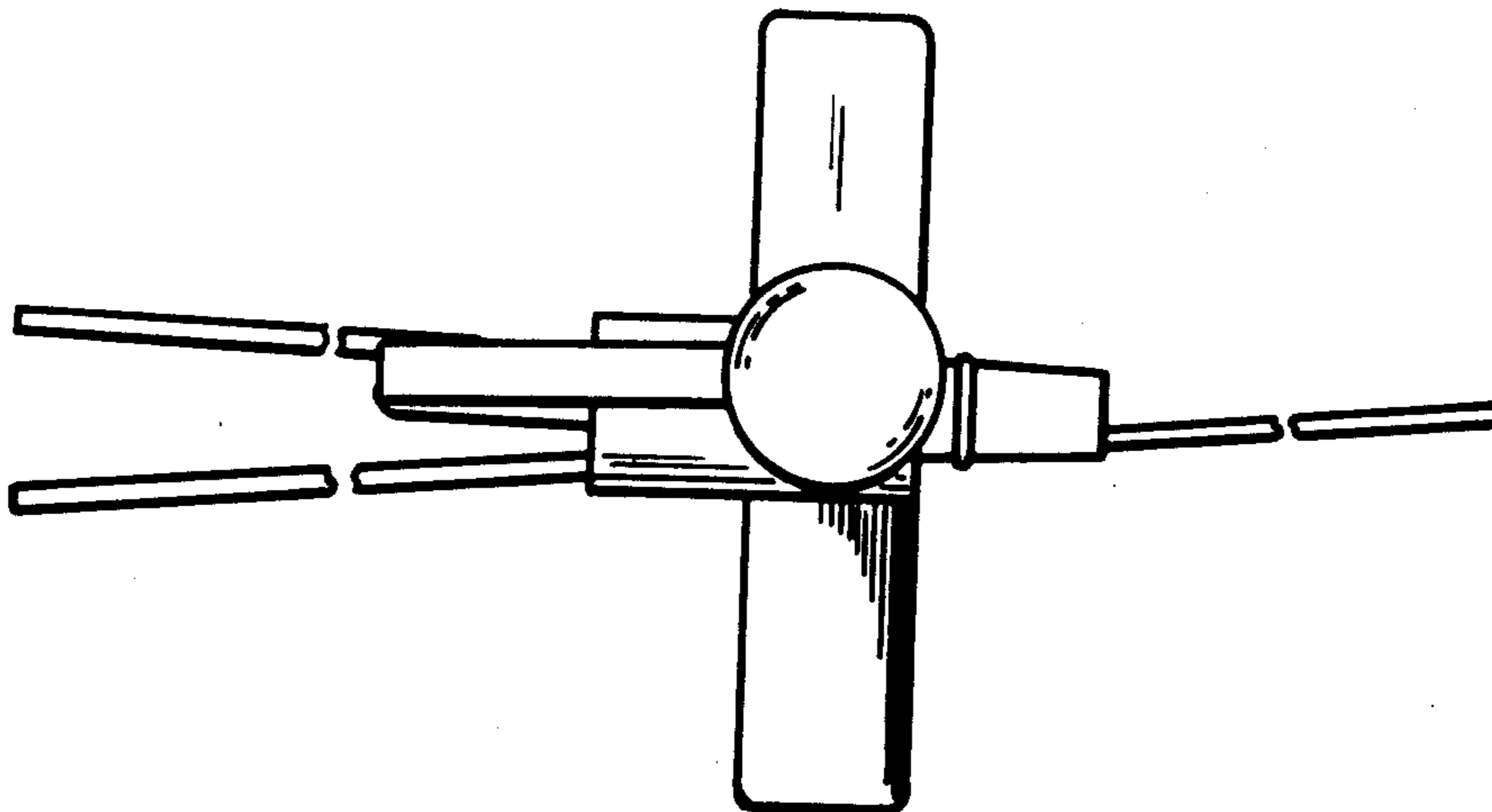
[57]

CLAIM

The ornamental design for a double lumen catheter insert, substantially shown and described.

DESCRIPTION

FIG. 1 is a top view of the double lumen catheter insert, with tubes shown in broken away lines indicating an indeterminate length of the tubes, FIG. 2 is a front view thereof, FIG. 3 is a side view thereof, FIG. 4 is a back view thereof, FIG. 5 is a bottom view thereof, and FIG. 6 is an enlarged side view thereof, with the cap removed.



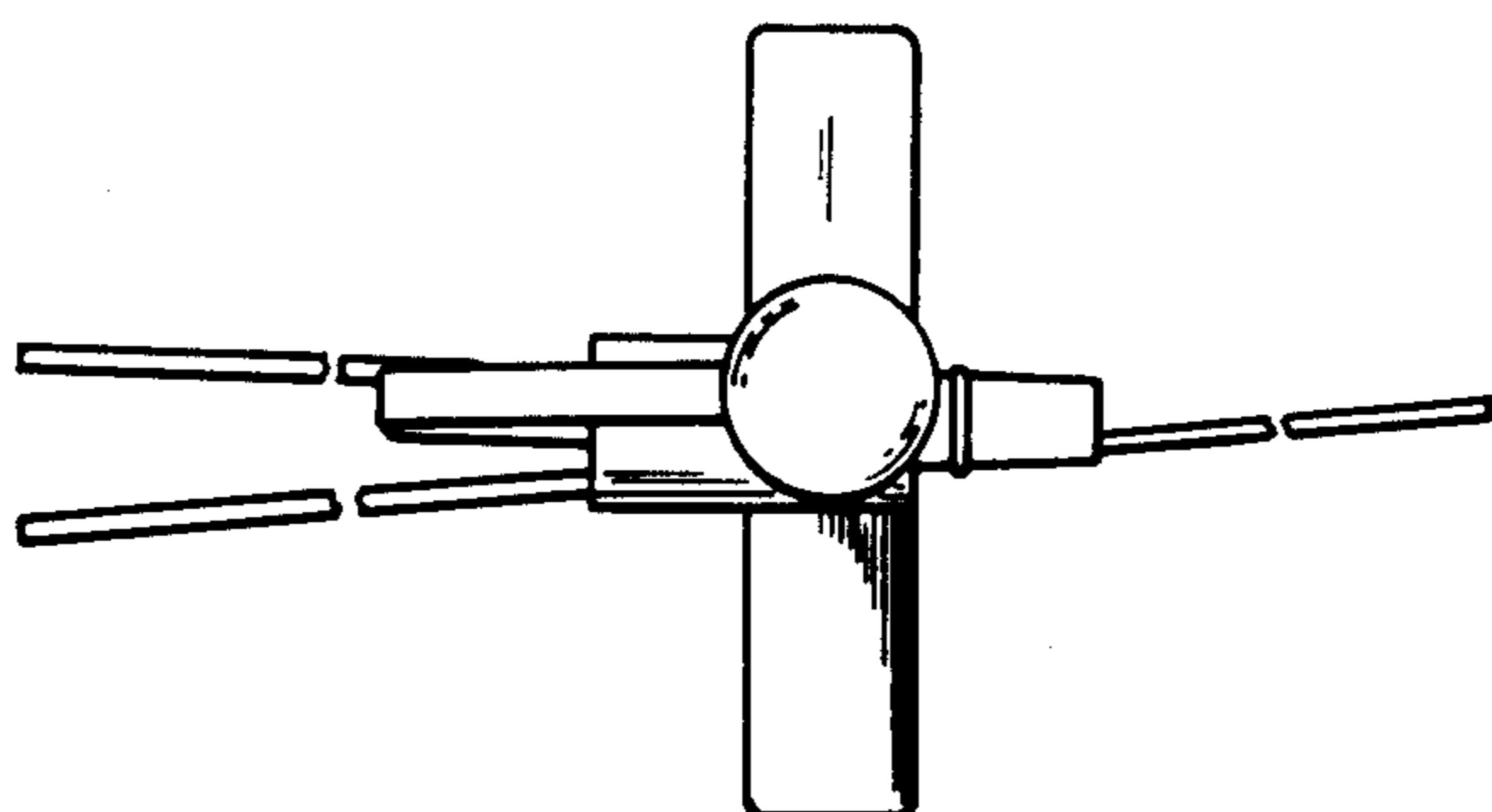


FIG. 1

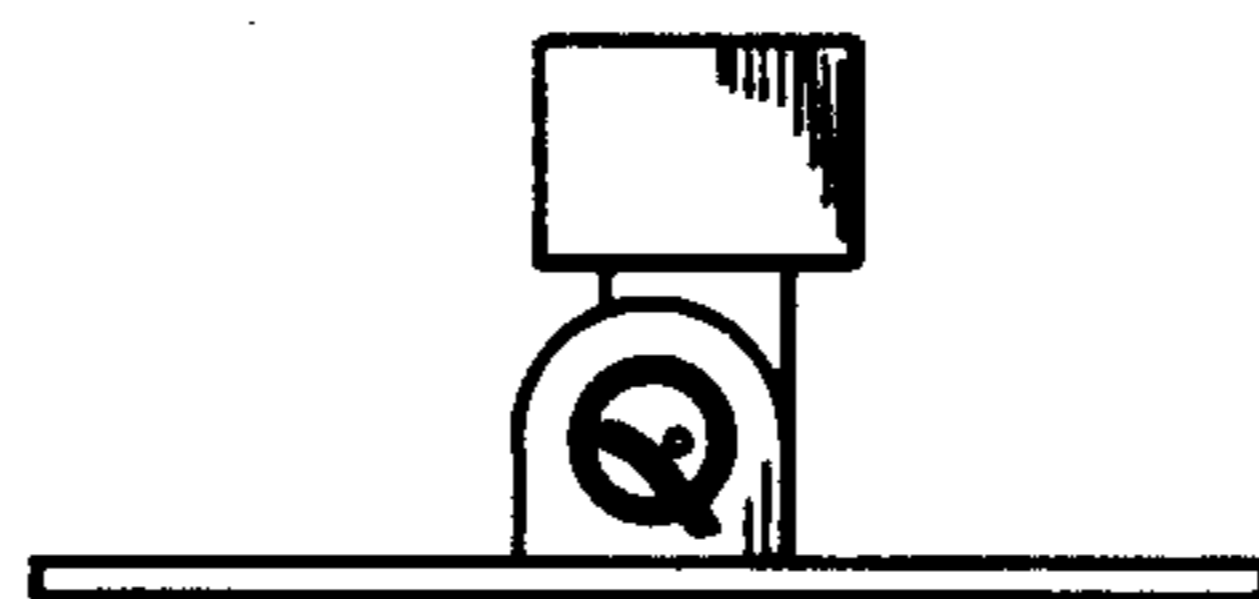


FIG. 2

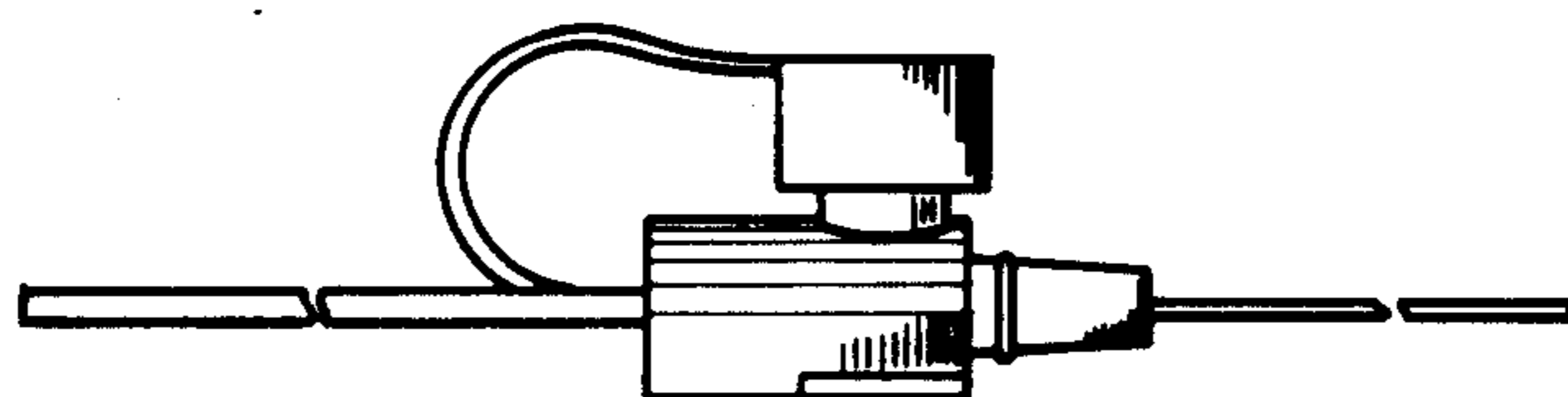


FIG. 3

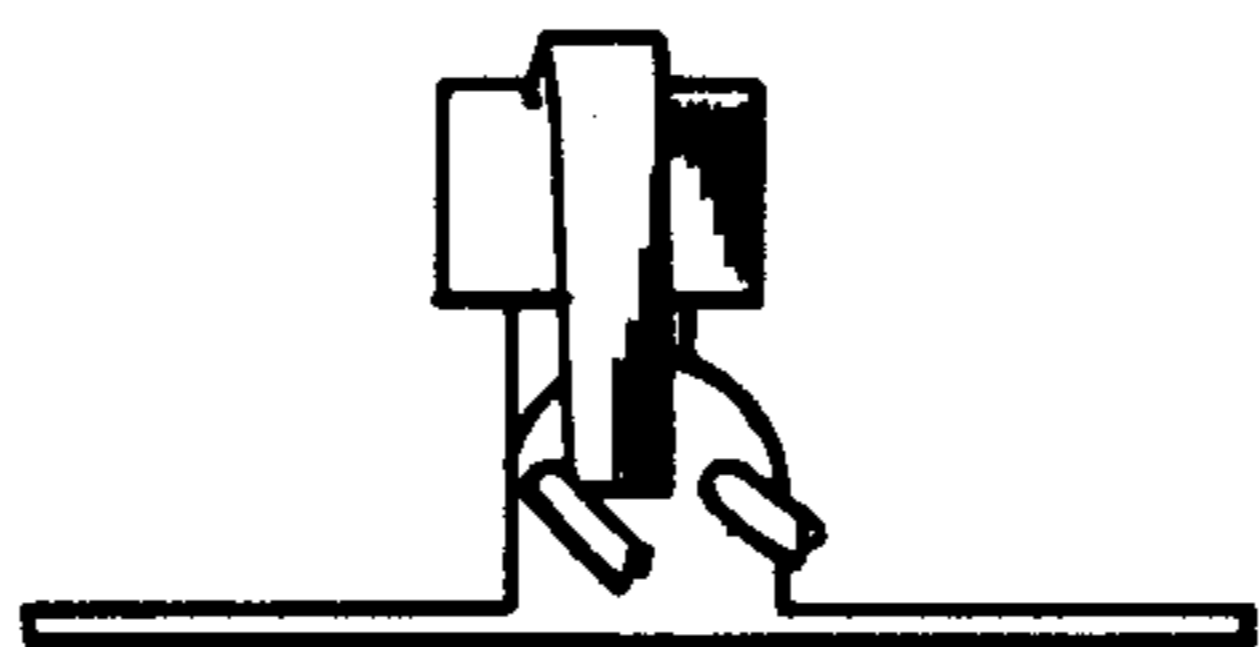


FIG. 4

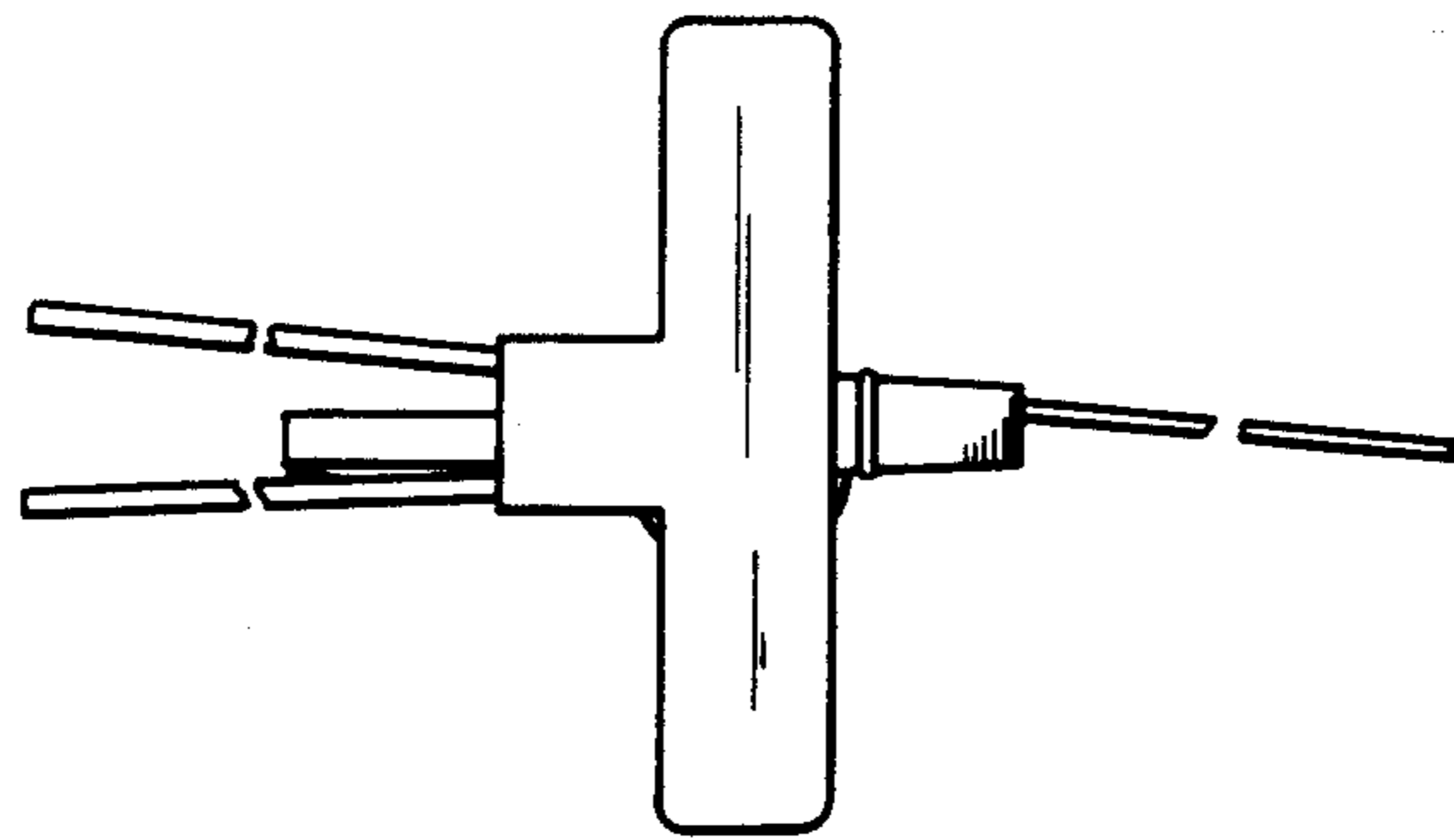


FIG. 5

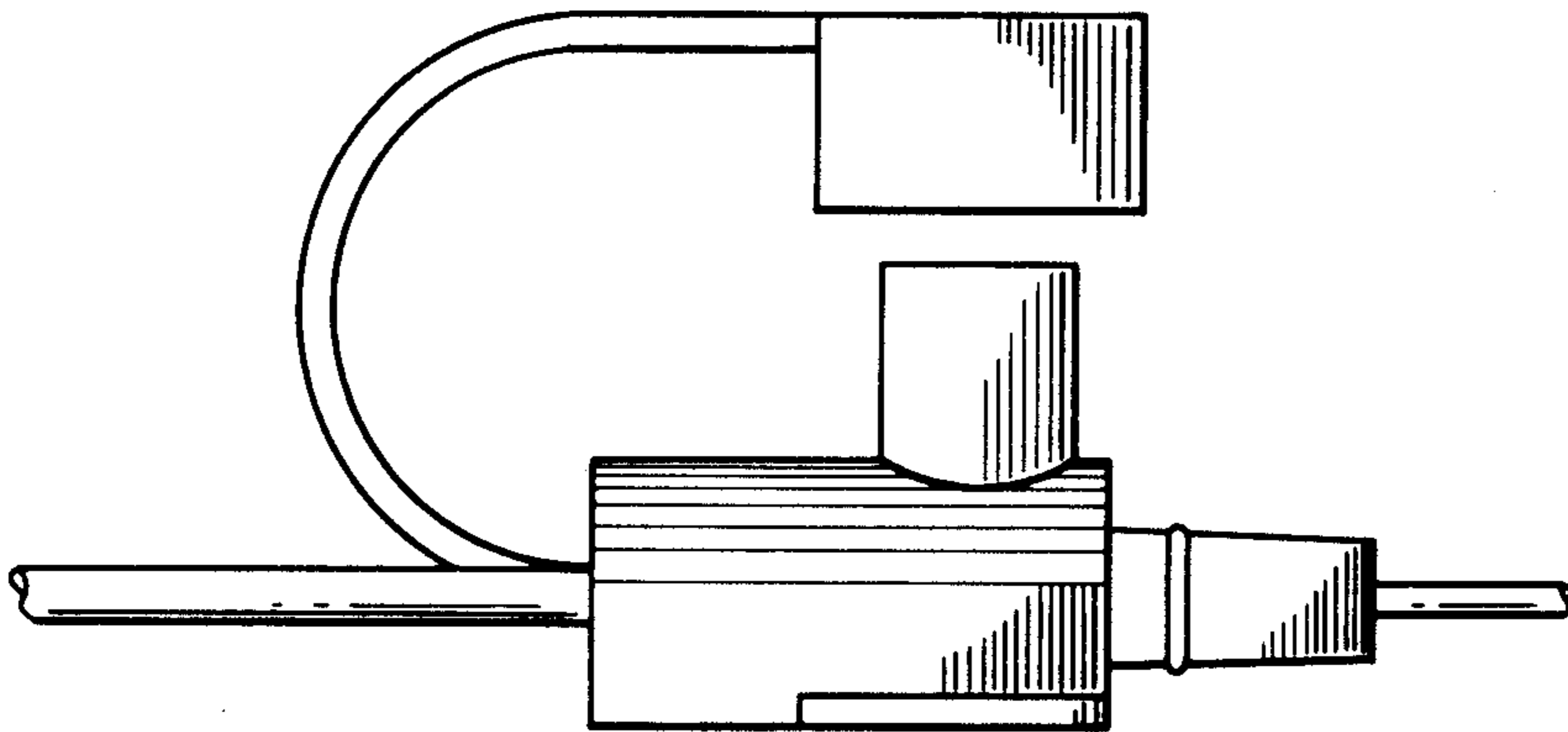


FIG. 6