

[54] PORTABLE FIREPLACE

[76] Inventor: Gloria D. Hilker, 1109 S. Landmark Trail, Hopkins, Minn. 55343

[**] Term: 14 Years

[21] Appl. No.: 937,442

[22] Filed: Aug. 28, 1978

[51] Int. Cl. D23-03

[52] U.S. Cl. D23/97

[58] Field of Search D23/72, 86, 89, 92, D23/93, 94, 97, 105, 107, 108, 127; D6/113; 126/4, 6, 58, 59, 60, 62, 65, 120, 121, 123, 126, 138

[56] References Cited

U.S. PATENT DOCUMENTS

D. 212,947 12/1968 Toerge et al. D23/97

D. 226,355 2/1973 Eld D23/97

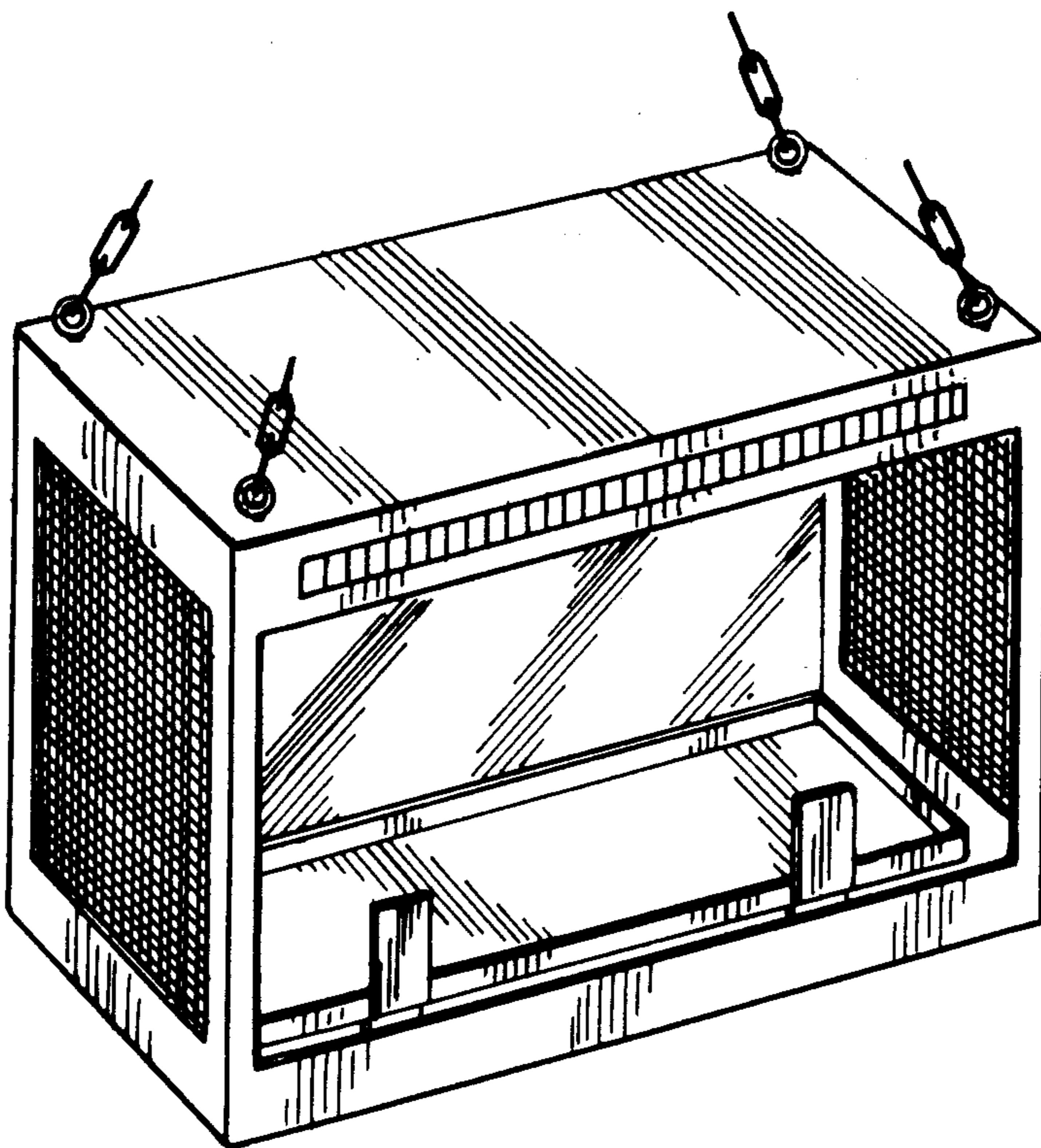
Primary Examiner—Catherine E. Kemper
Attorney, Agent, or Firm—Orrin M. Haugen

[57] CLAIM

The ornamental design for a portable fireplace, as shown and described.

DESCRIPTION

FIG. 1 is a front perspective view of a portable fireplace, showing my new design;
FIG. 2 is a top plan view thereof;
FIG. 3 is a front elevational view thereof;
FIG. 4 is an end elevational view, the opposite end being a mirror image thereof;
FIG. 5 is a rear elevational view thereof.
The conventional chain elements have been shown fragmentarily in FIG. 1 and have been omitted completely from FIGS. 2-5 for convenience of illustration.



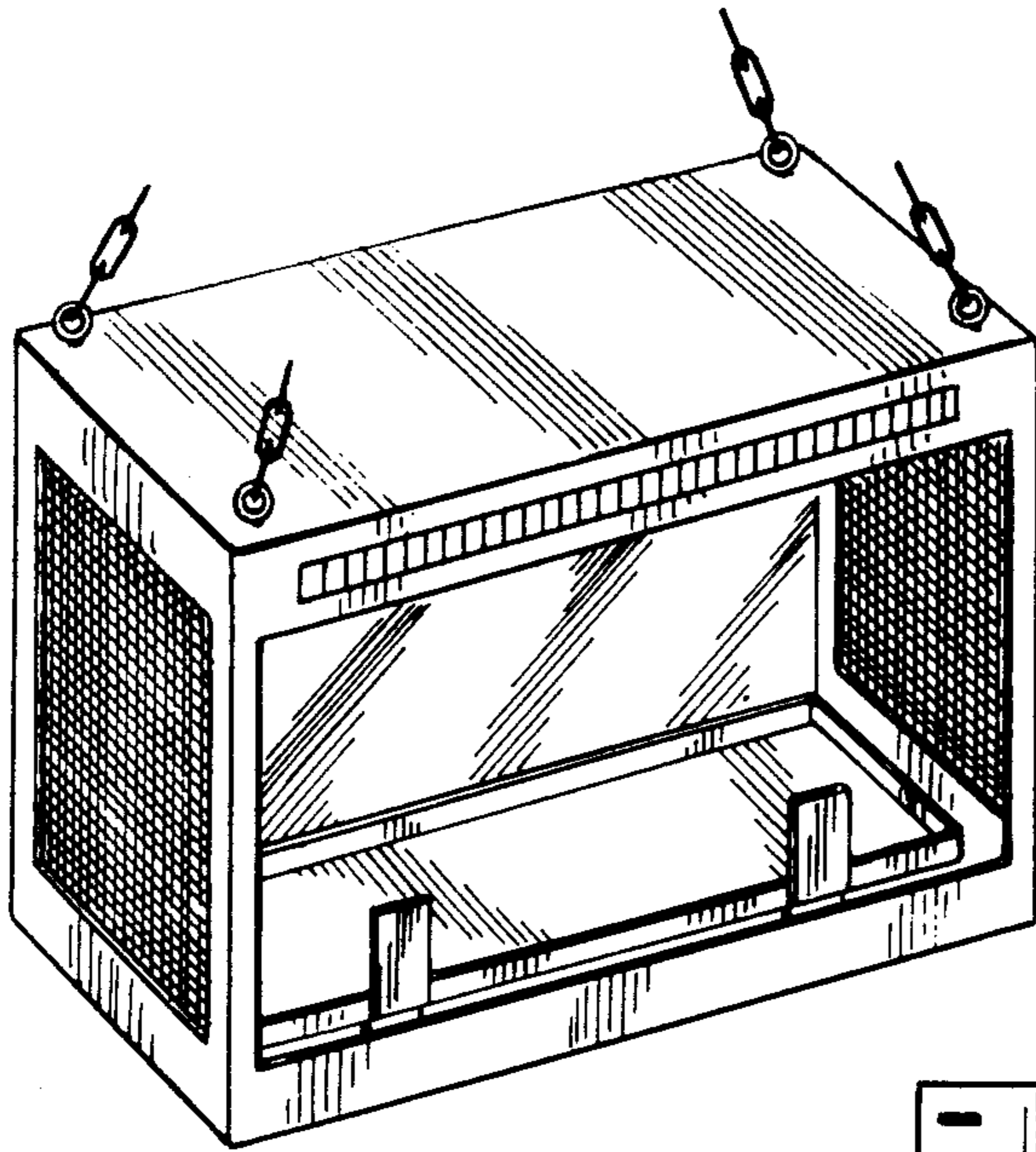


FIG. 1

FIG. 2

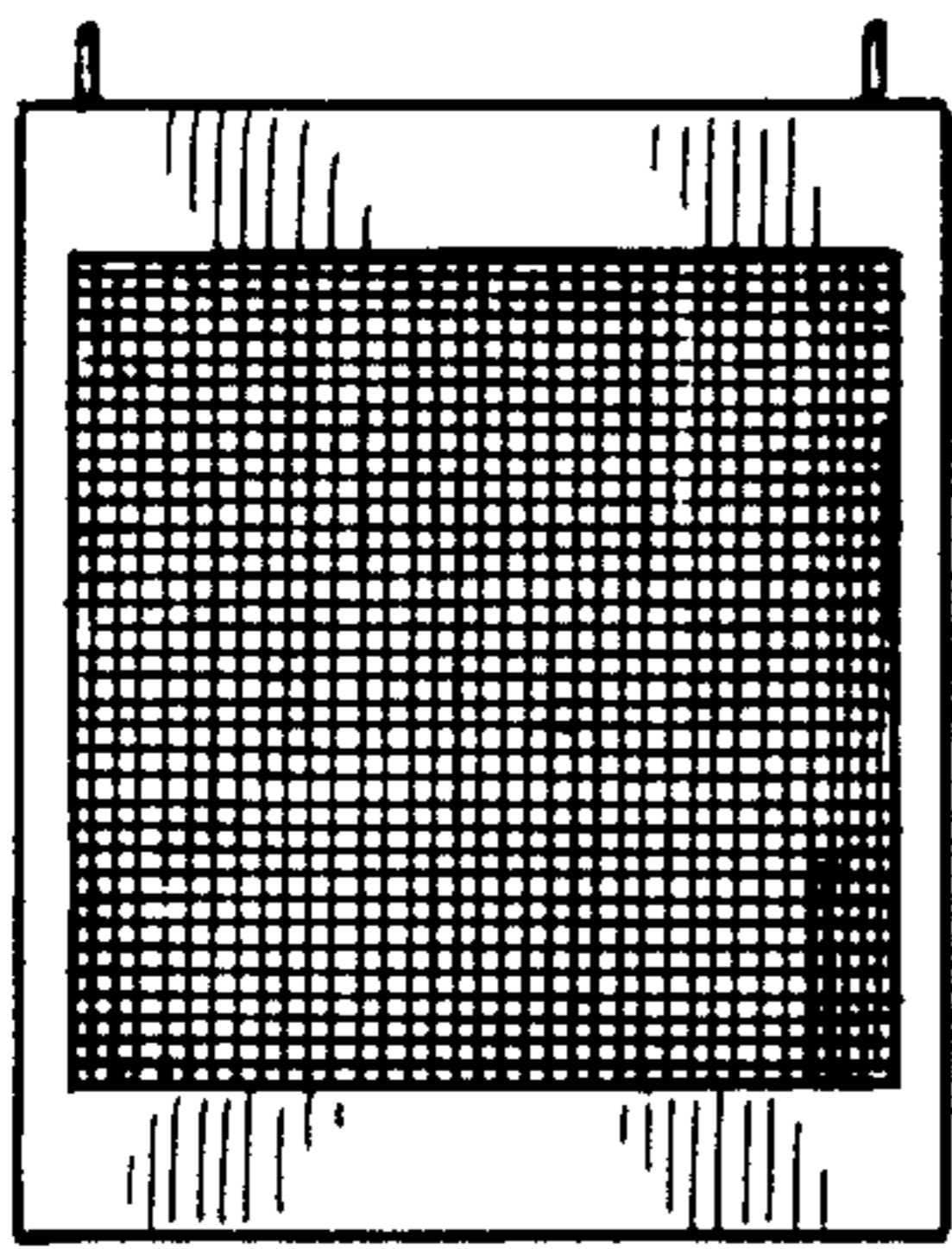
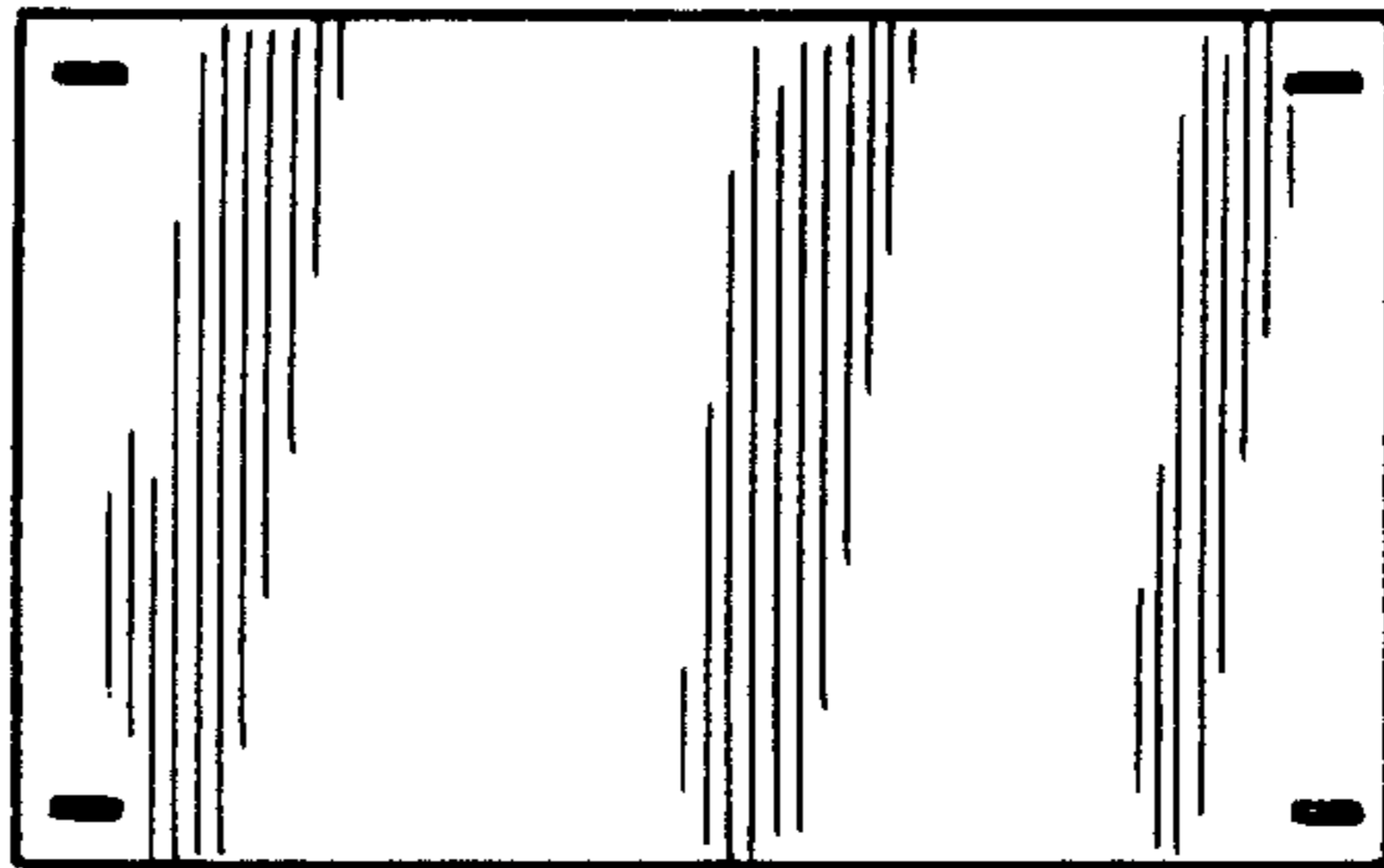


FIG. 4

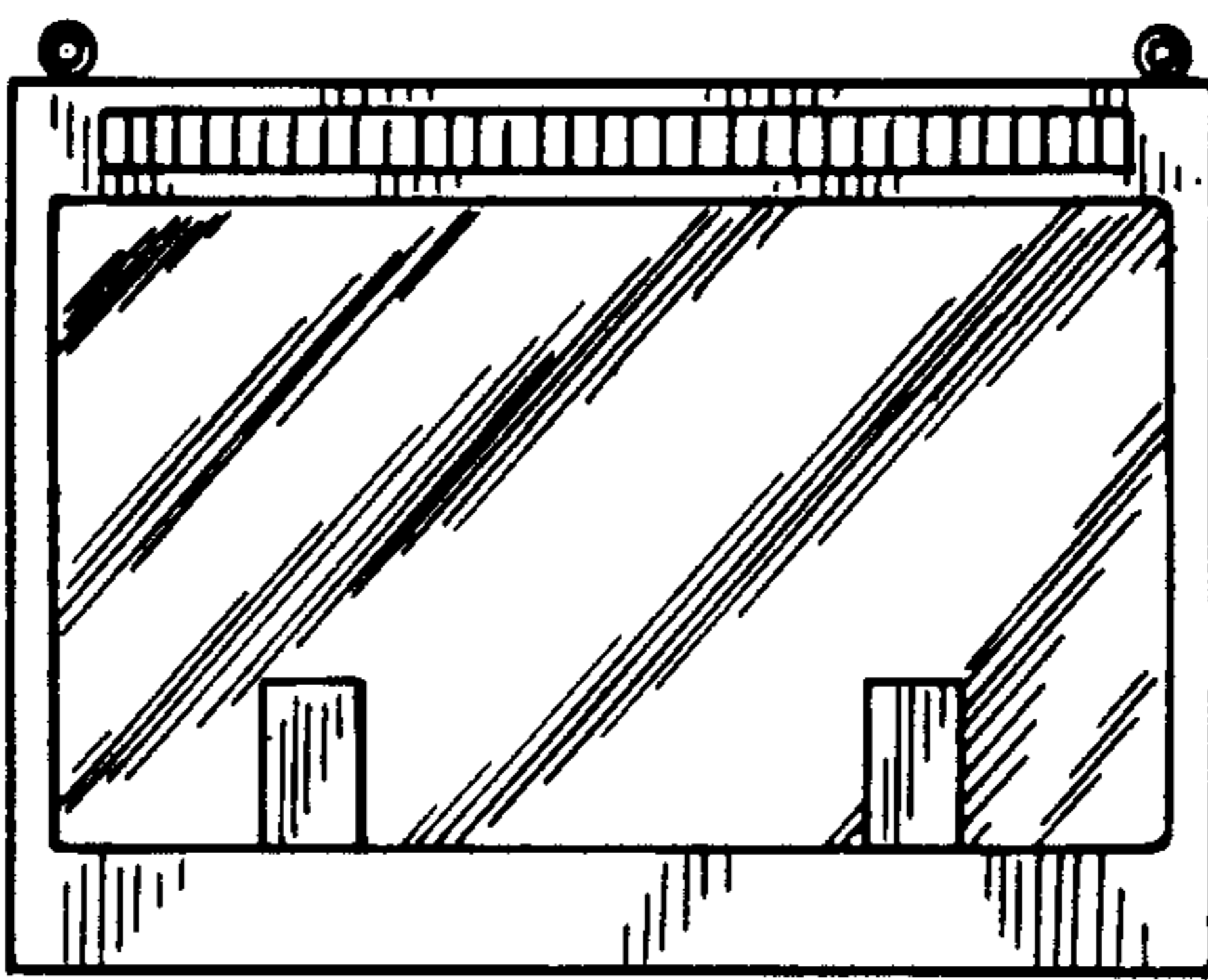


FIG. 3

FIG. 5

