

[54] FIREPLACE GRATE

[75] Inventors: Carl W. Knight, Shaker Heights;  
Richard G. Hart, North Olmsted;  
William H. Greenwald, Strongsville,  
all of Ohio

[73] Assignee: National Utility Products Company

[\*\*] Term: 14 Years

[21] Appl. No.: 937,185

[22] Filed: Aug. 28, 1978

[51] Int. Cl. .... D7-08; D23-08

[52] U.S. Cl. .... D23/95; D7/207

[58] Field of Search .... D23/72, 93-97,  
D23/127, 135; D7/206, 207; 126/120, 121, 152,  
163 R, 163 A, 164, 165

[56]

References Cited

U.S. PATENT DOCUMENTS

3,905,351	9/1975	Hatfield et al. ....	126/164 X
4,078,542	3/1978	Young et al. ....	D7/207 X
4,114,590	9/1978	Frahm .....	126/164 X
4,122,825	10/1978	Slate .....	126/164 X
4,149,517	4/1979	Horwinski .....	126/165 X

Primary Examiner—Catherine E. Kemper  
Attorney, Agent, or Firm—George S. Baldwin

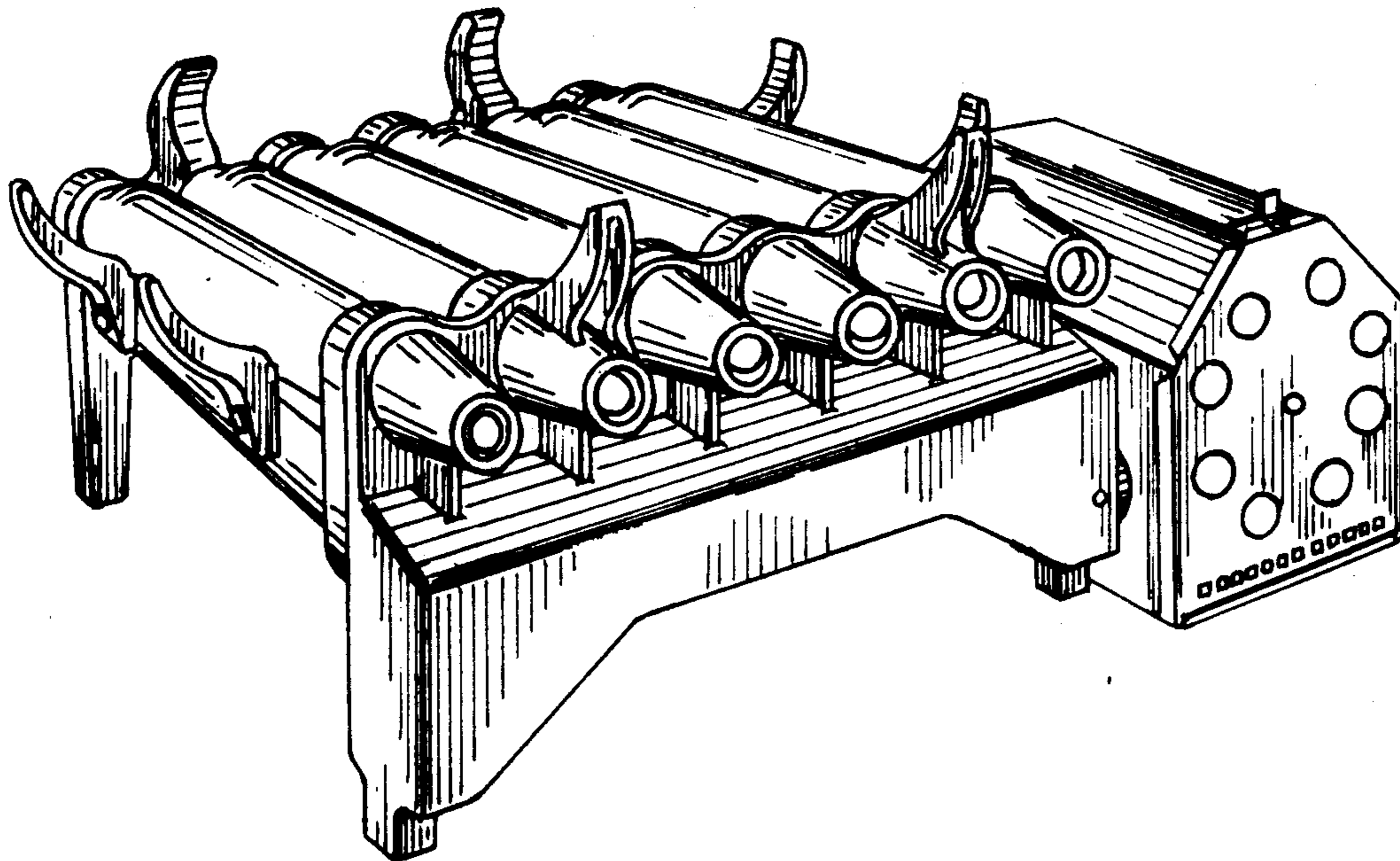
[57]

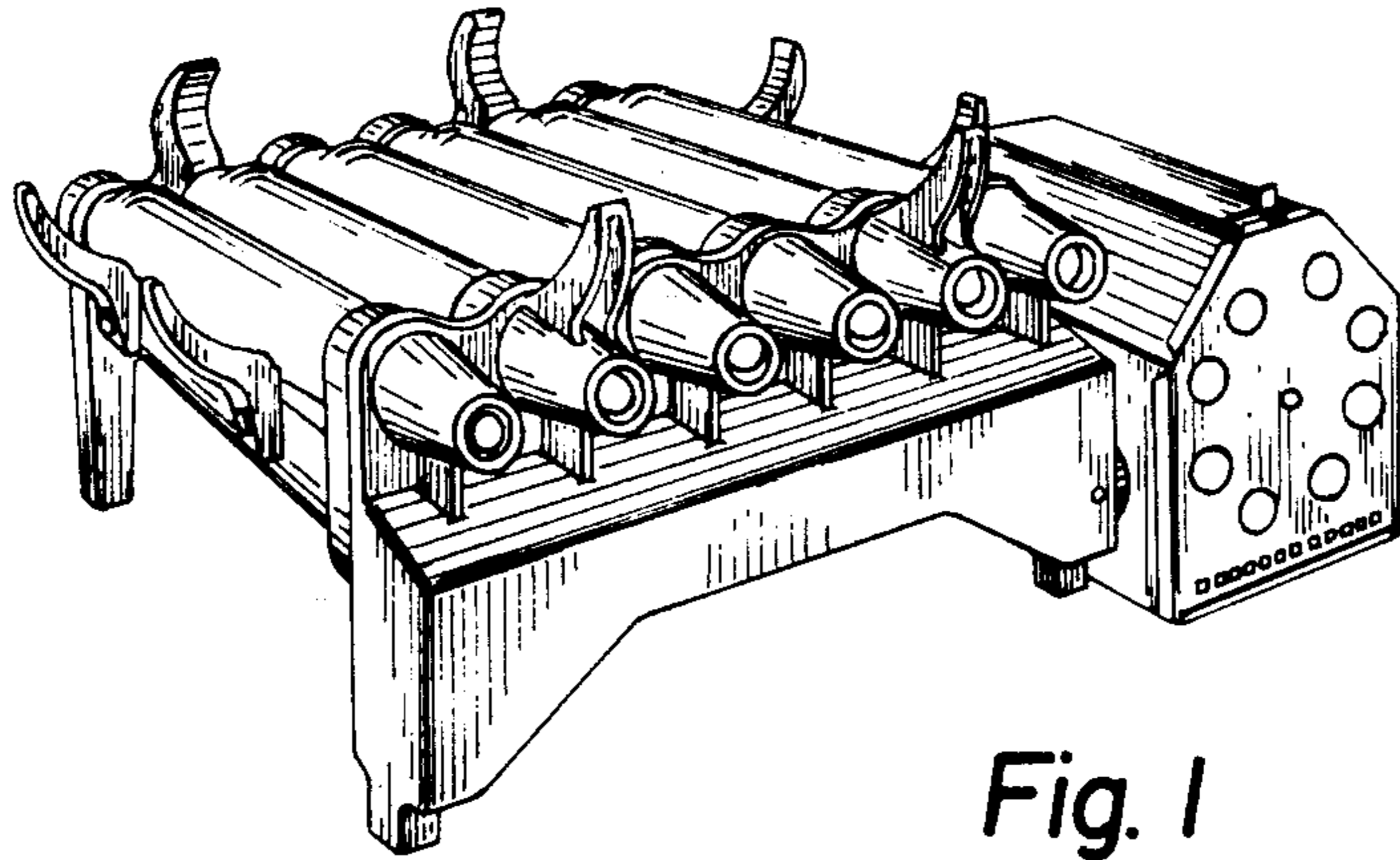
CLAIM

The ornamental design for a fireplace grate, substantially as shown and described.

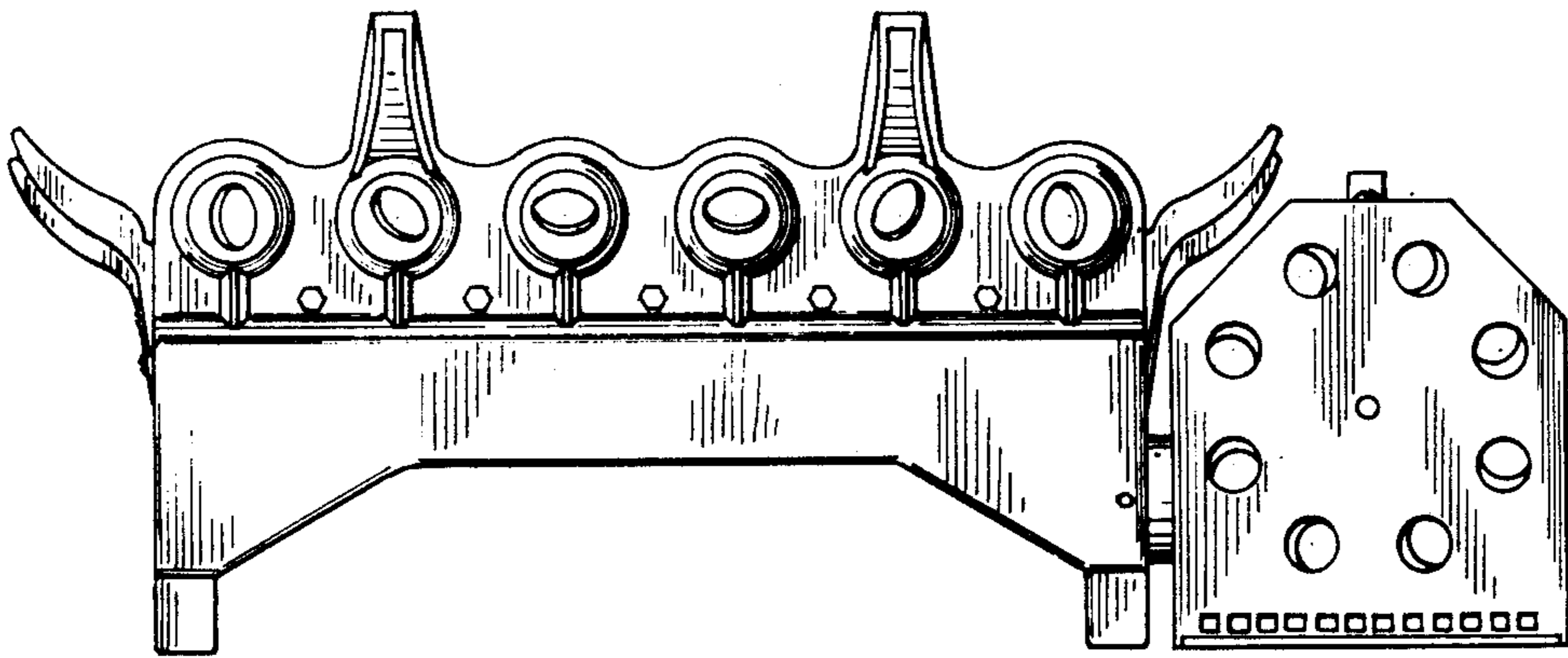
DESCRIPTION

FIG. 1 is a perspective view of a fireplace grate showing my new design;  
FIG. 2 is a front elevational view thereof shown on a slightly larger scale;  
FIG. 3 is a rear elevational view thereof;  
FIG. 4 is a top plan view thereof;  
FIG. 5 is a bottom plan view thereof;  
FIG. 6 is a left side elevational view thereof; and  
FIG. 7 is a right side elevational view thereof.

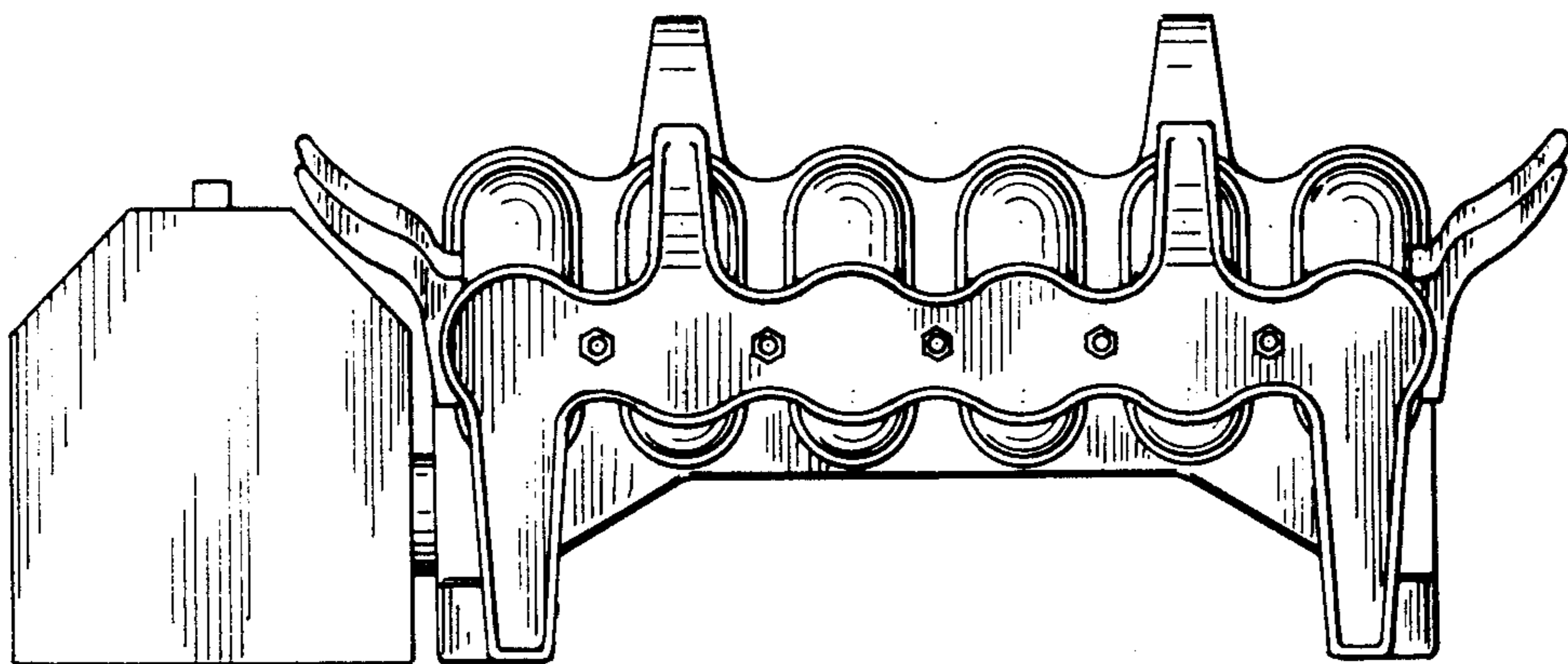




*Fig. 1*



*Fig. 2*



*Fig. 3*

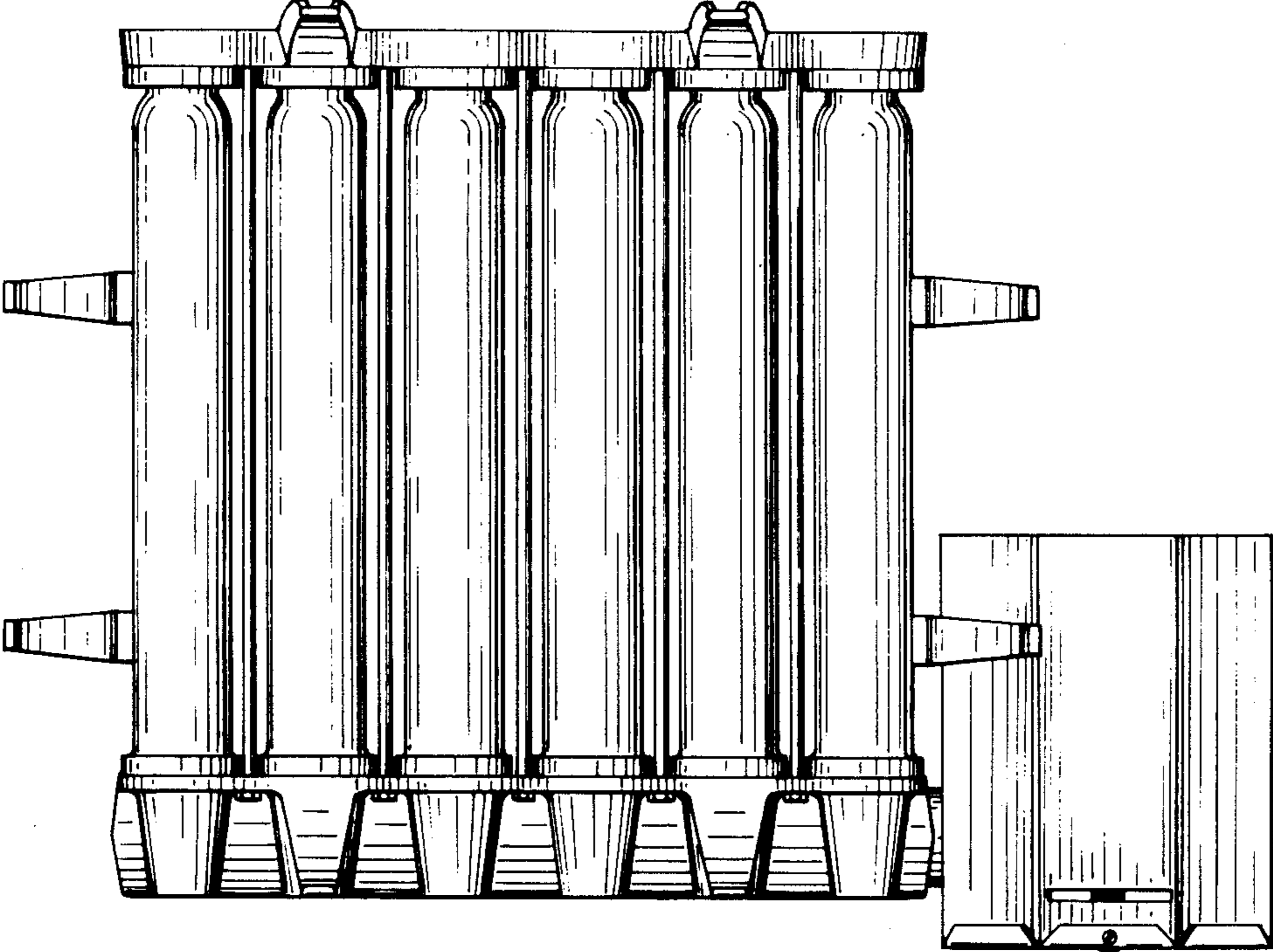


Fig. 4

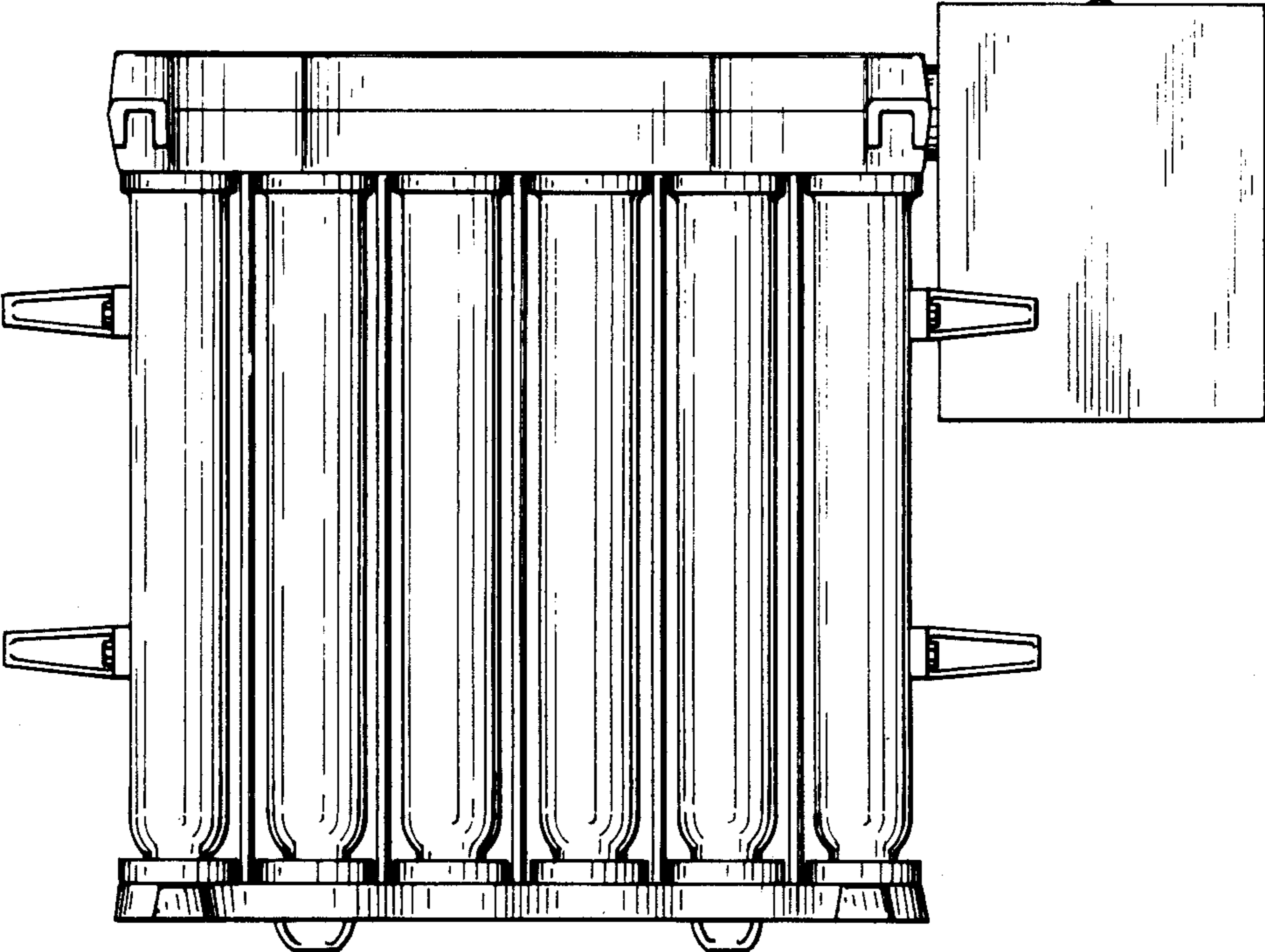
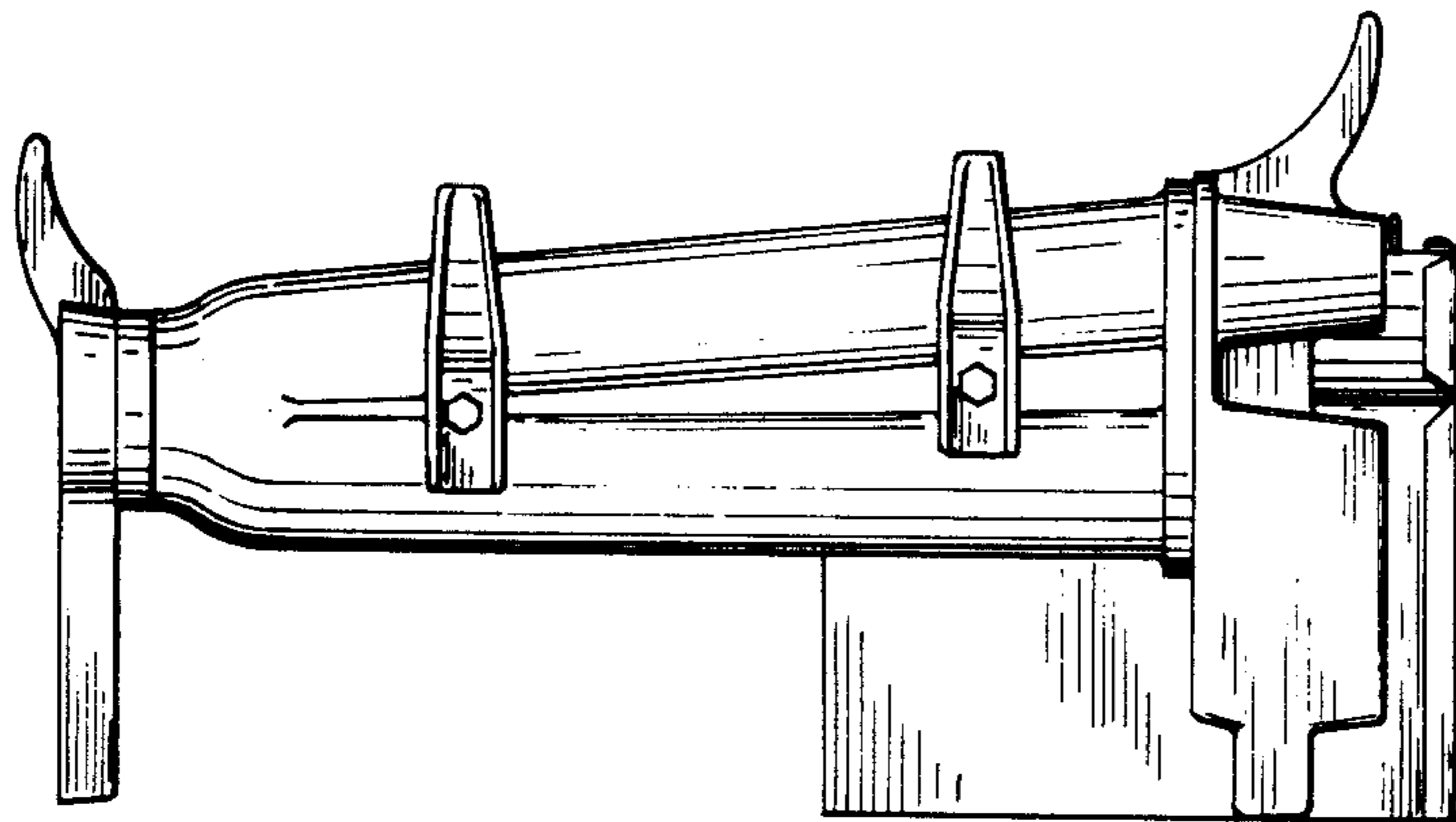
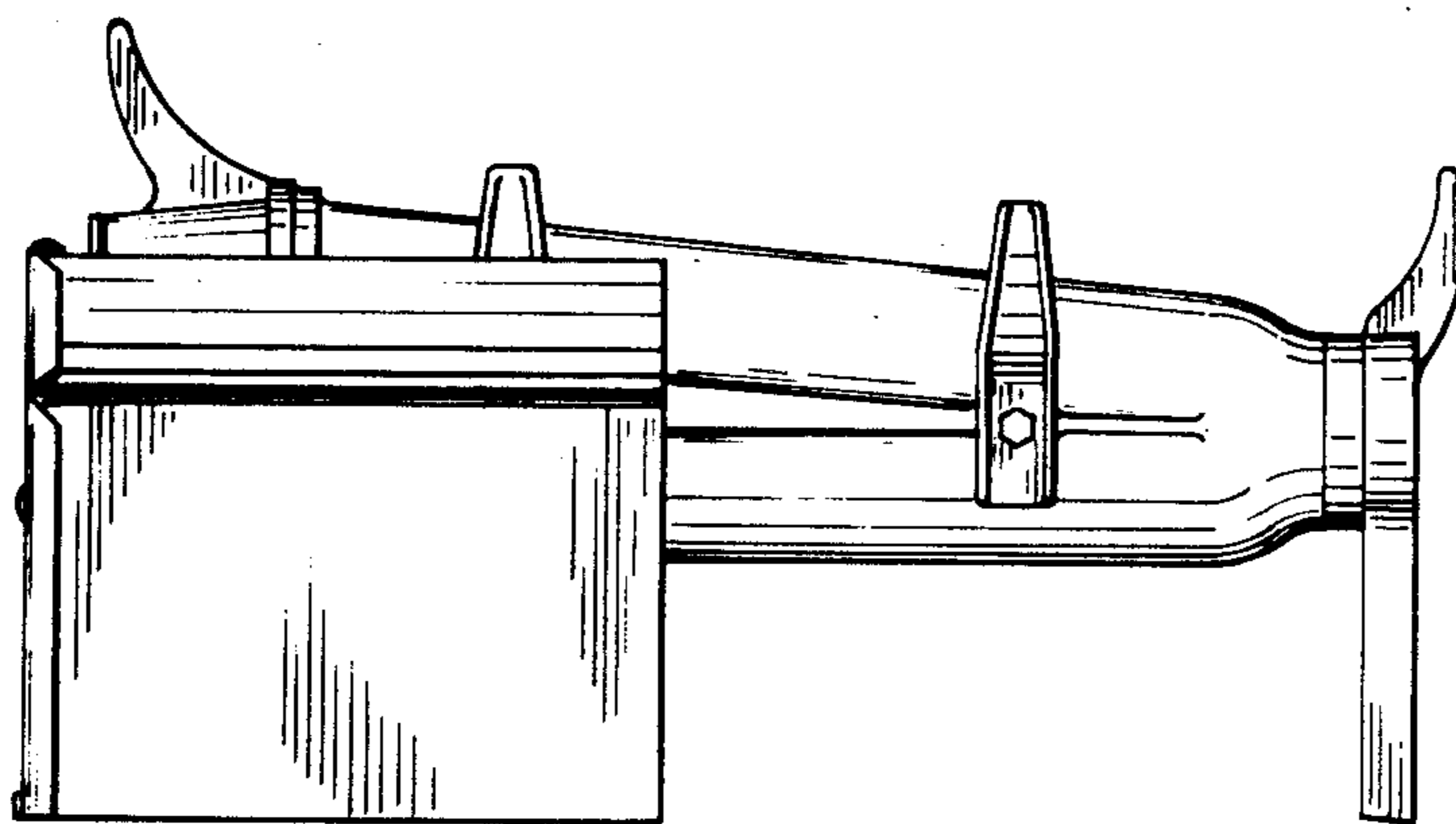


Fig. 5



*Fig. 6*



*Fig. 7*