

[54] WATER CLOSET

[75] Inventor: Andre Primault, Garches, France

[73] Assignee: Societe Generale de Fonderie, Paris, France

[**] Term: 14 Years

[21] Appl. No.: 953,542

[22] Filed: Oct. 23, 1978

[30] Foreign Application Priority Data

Apr. 21, 1978 [FR] France 78.76506

[51] Int. Cl. D23-02

[52] U.S. Cl. D23/65

[58] Field of Search D23/48-71; 4/300, 329, 353

[56] References Cited

U.S. PATENT DOCUMENTS

D. 101,535	10/1936	Karstadt	D23/65
D. 199,021	9/1962	Stairs, Jr.	D23/65
D. 237,884	12/1975	Korol	D23/65
3,364,505	1/1968	Palmier	D23/71 X
4,162,548	7/1979	Groombridge et al.	4/300

Primary Examiner—James R. Largen
Attorney, Agent, or Firm—Robert Osann

[57] CLAIM

The ornamental design for a water closet, substantially as shown and described.

DESCRIPTION

FIG. 1 is a perspective view taken from the top, front and left side of the water closet showing my new design;

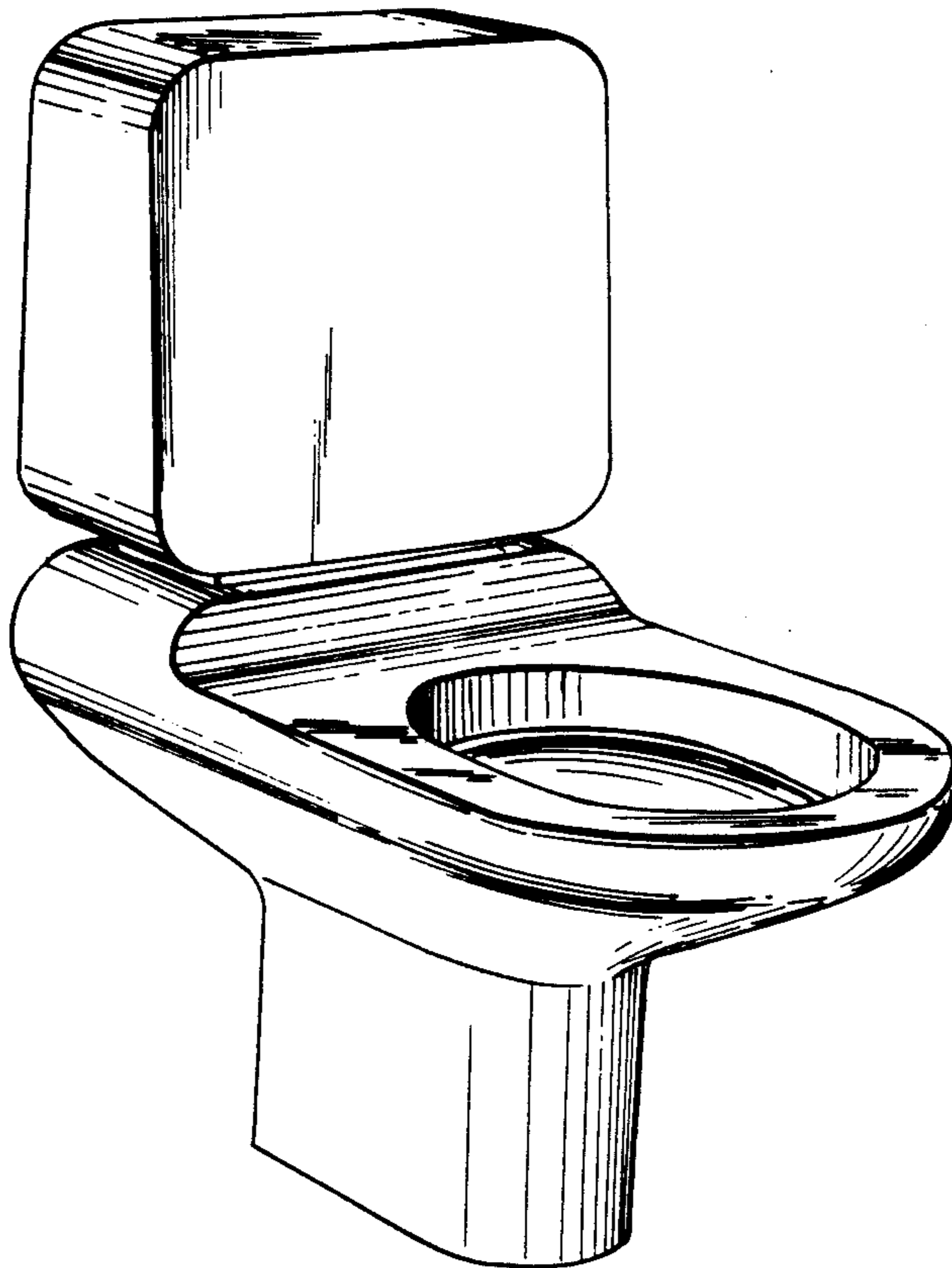
FIG. 2 is a top plan view thereof;

FIG. 3 is a front elevational view thereof;

FIG. 4 is a right side elevational view thereof, the left side being a mirror image of the side shown;

FIG. 5 is a rear elevational view thereof; and

FIG. 6 is a bottom plan view thereof.



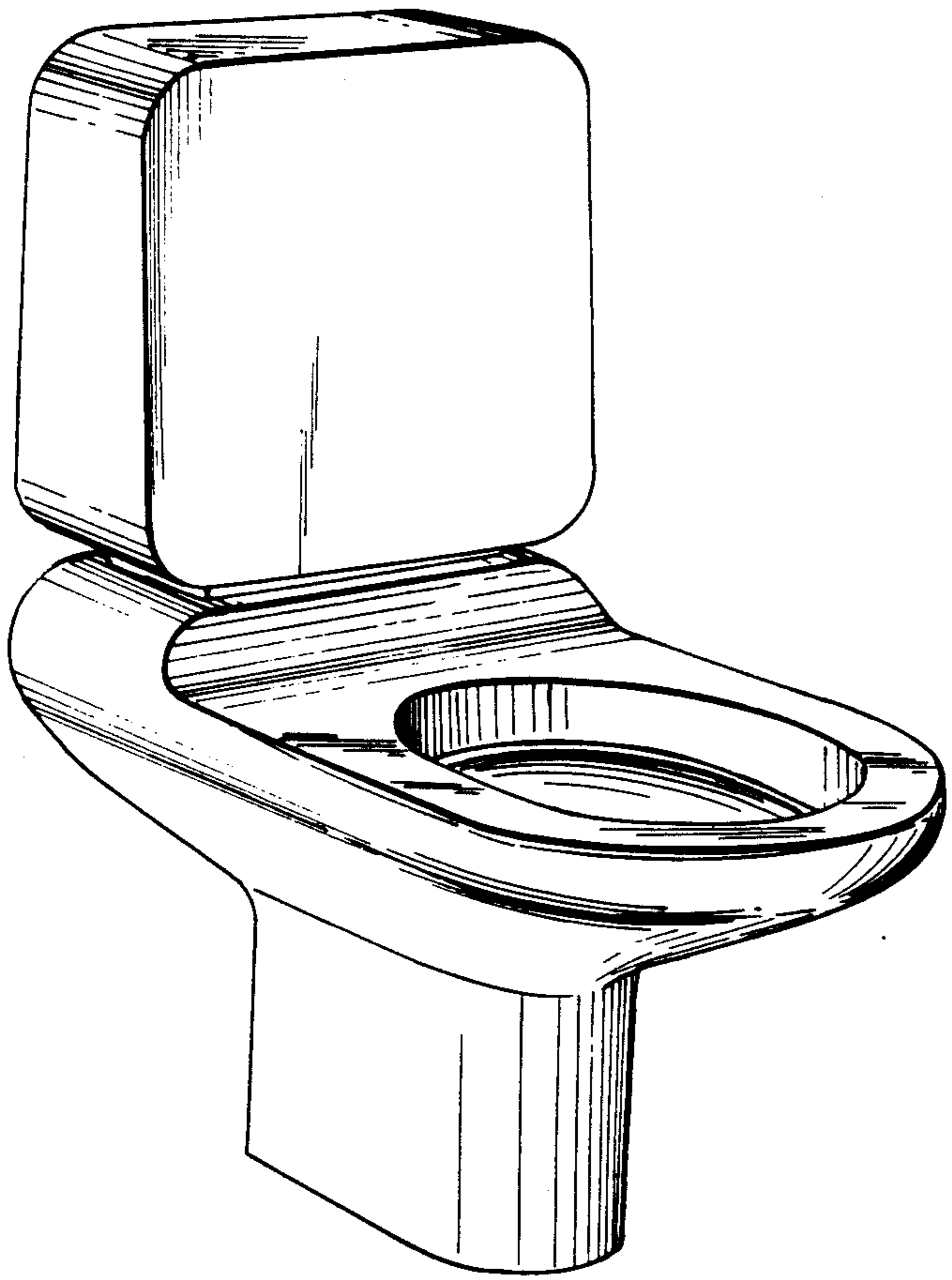


FIG. 1

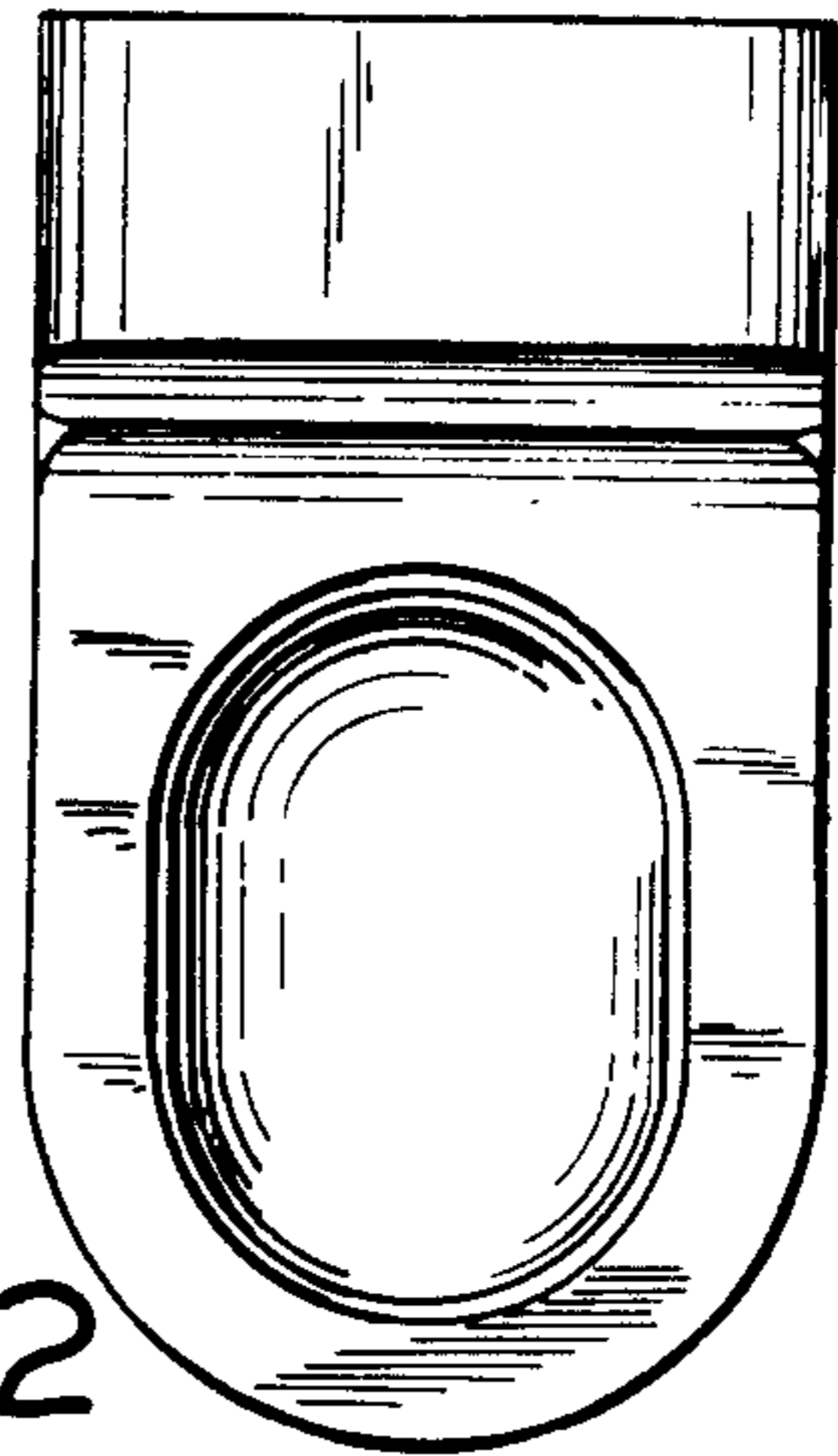


FIG. 2

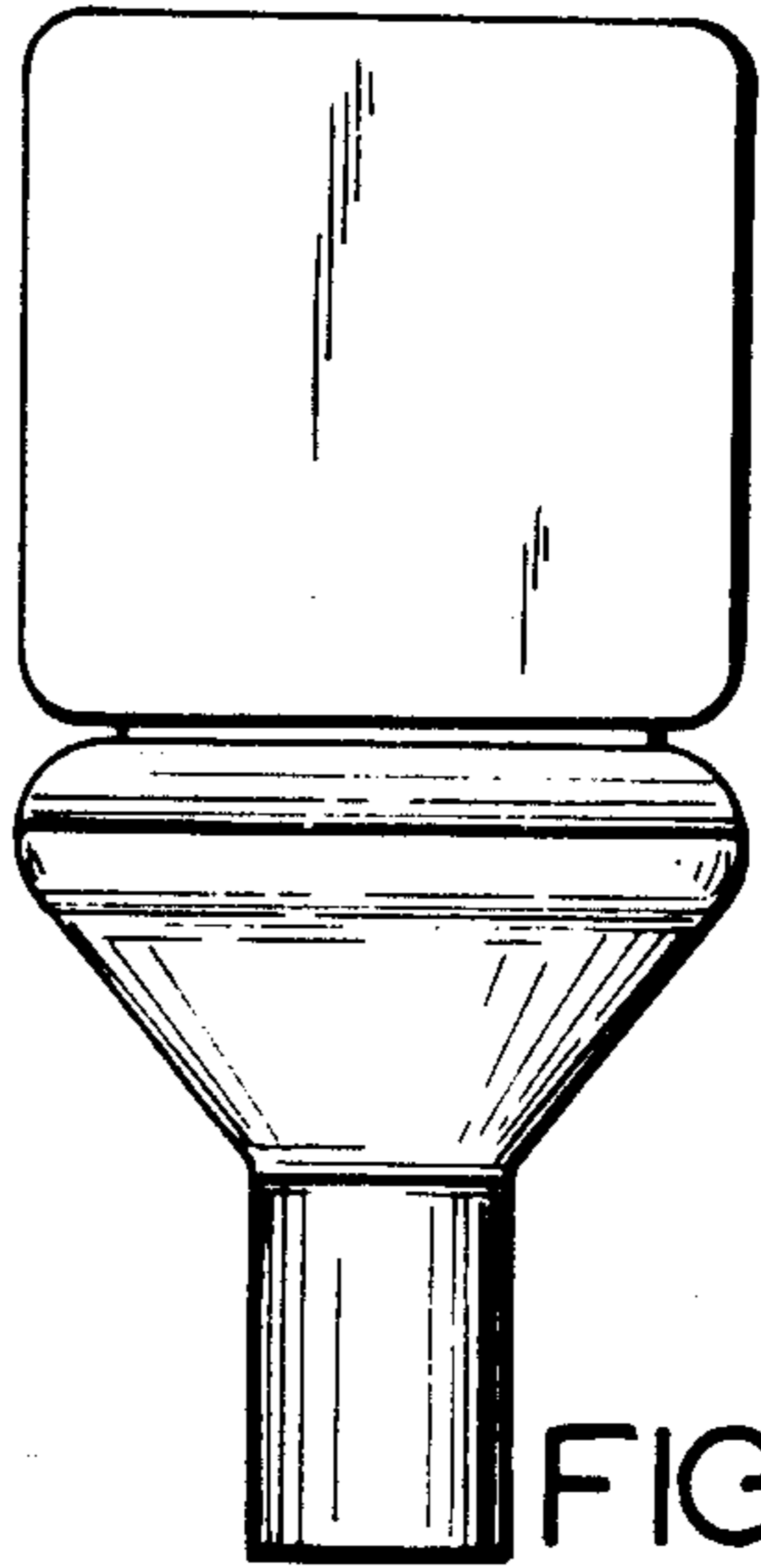


FIG. 3

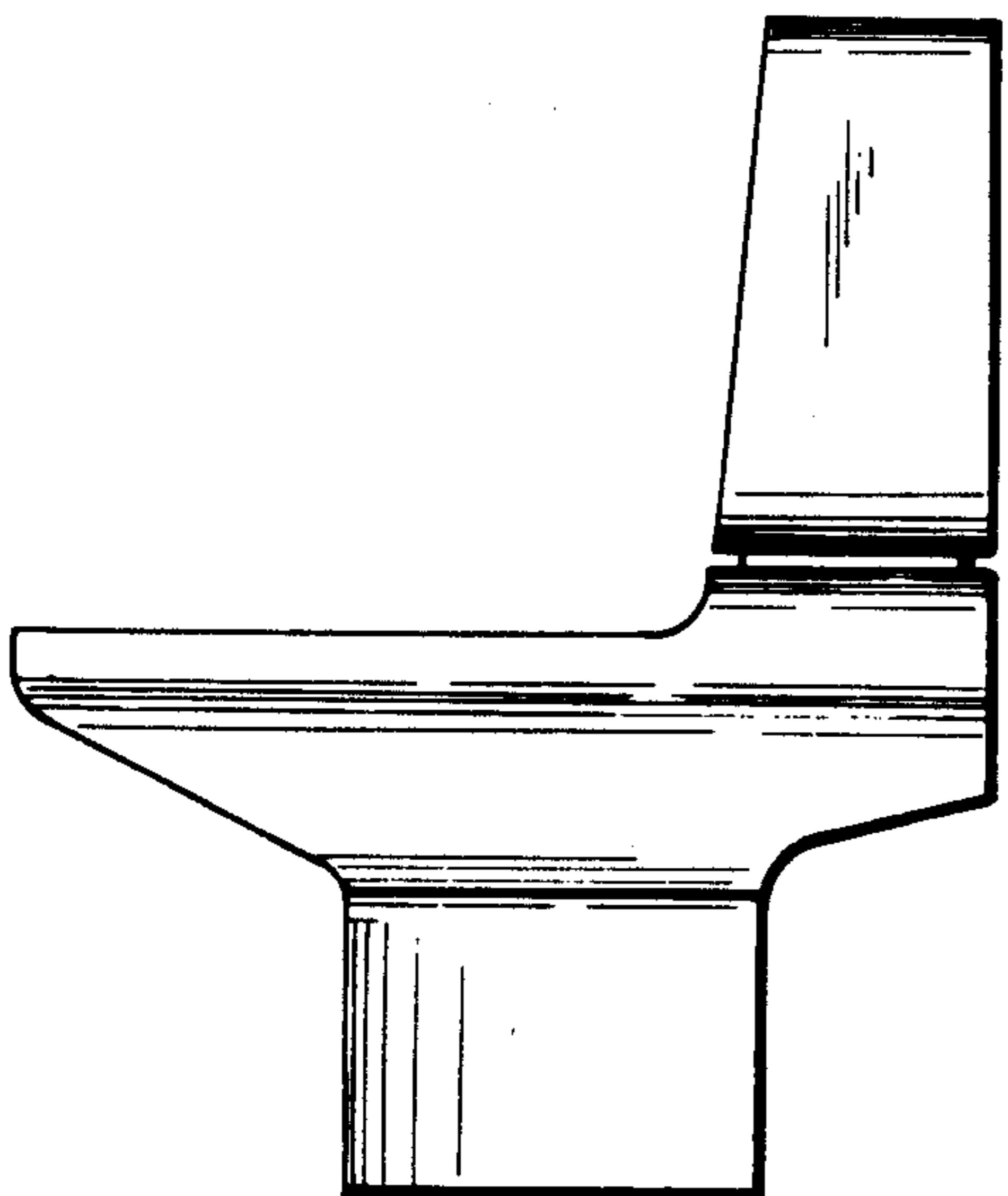


FIG. 4

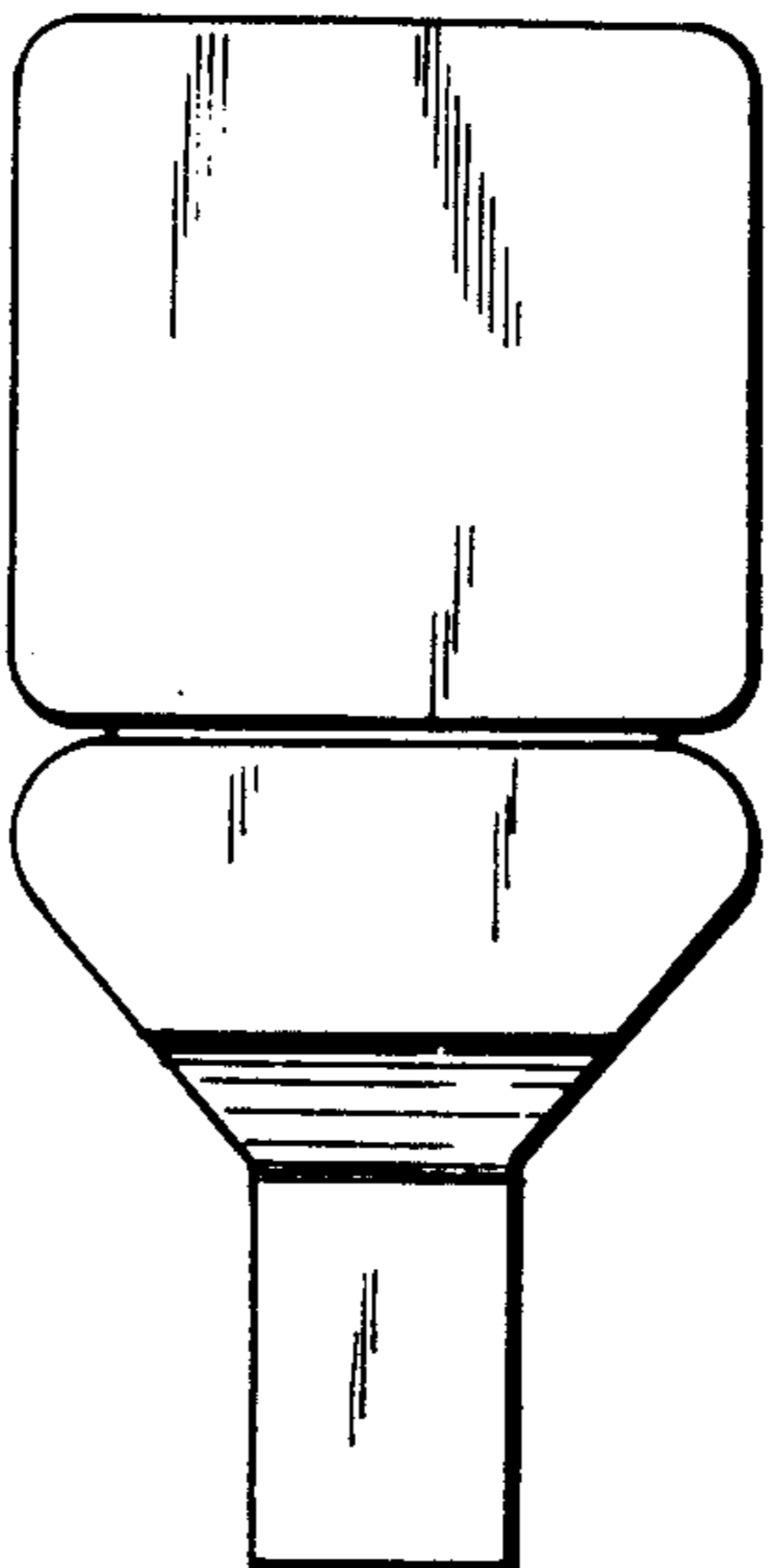


FIG. 5

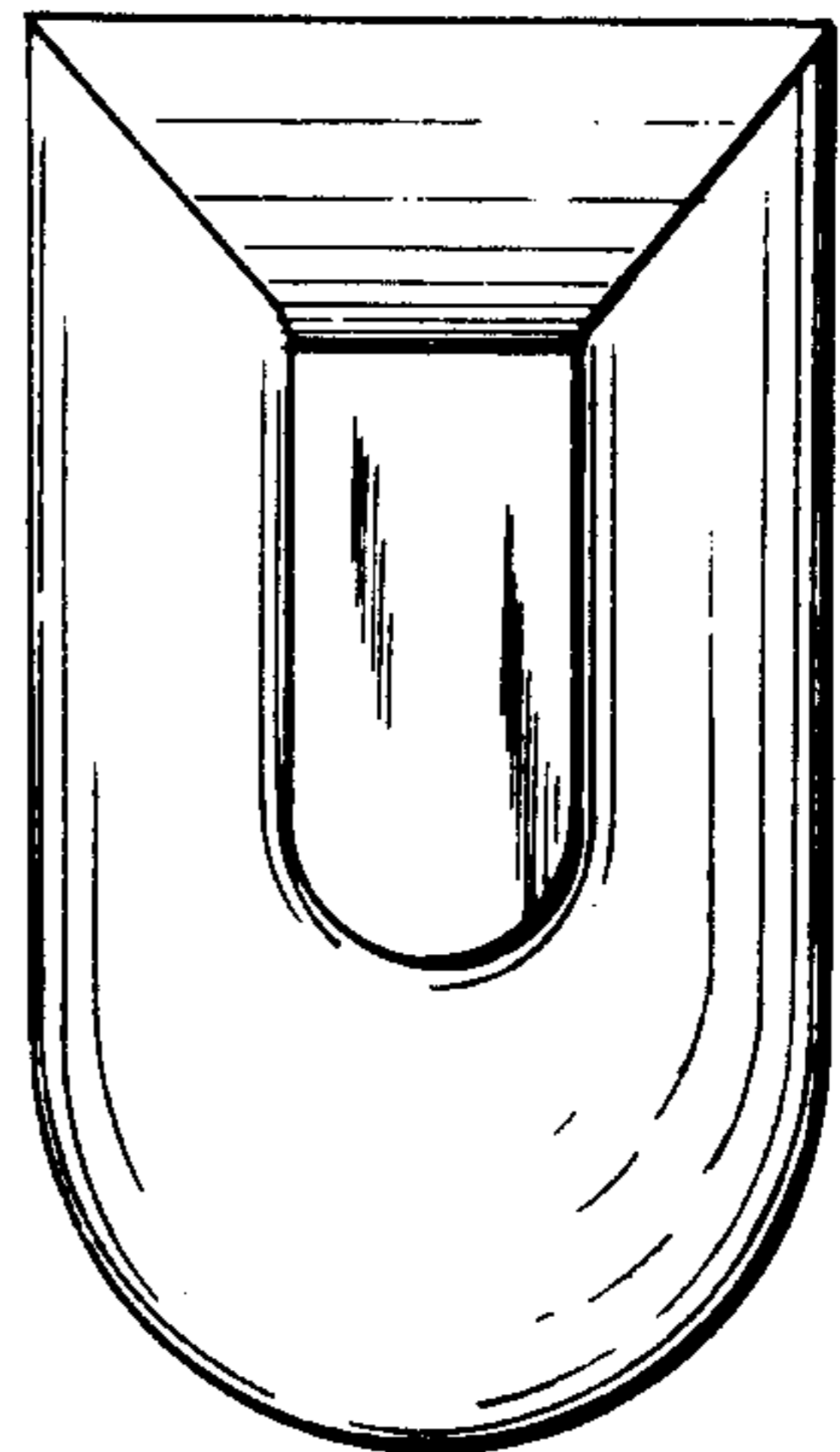


FIG. 6