

[54] FIRE HYDRANT VALVE

[76] Inventor: Jack M. Carlin, R.F.D. Box 135, Del Mar, Calif. 92014

[**] Term: 14 Years

[21] Appl. No.: 866,551

[22] Filed: Jan. 3, 1978

[51] Int. Cl. D23-01

[52] U.S. Cl. D23/19

[58] Field of Search D23/19-22, D23/839

[56] References Cited

U.S. PATENT DOCUMENTS

- D. 156,828 1/1950 Hamer D23/19
- D. 156,829 1/1950 Hamer D23/19

3,367,624	2/1968	Scaramucci	251/148
4,022,421	5/1977	Carlin	137/527 X
4,117,860	10/1978	Carlin	137/513.5

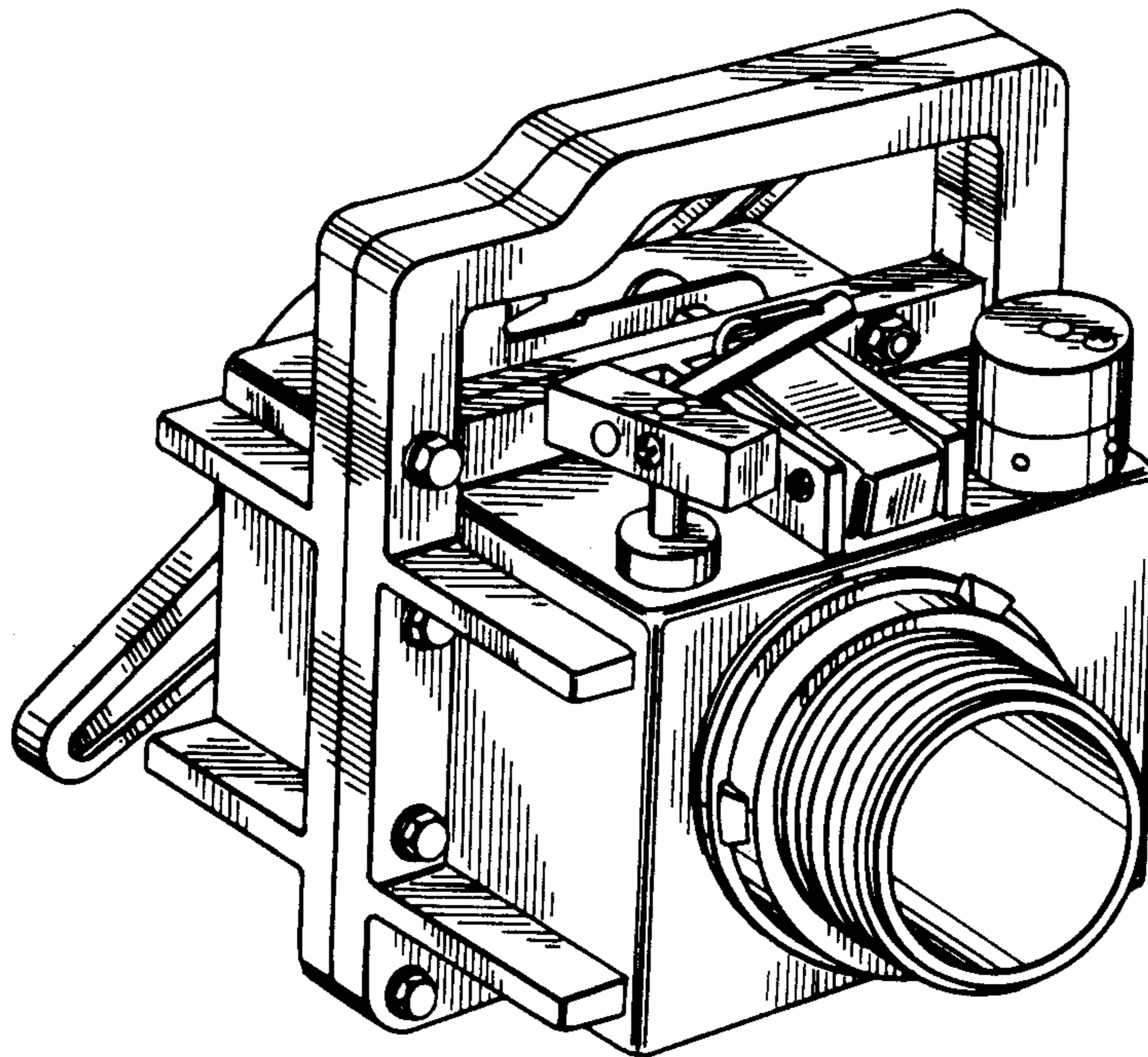
Primary Examiner—James R. Largen
Attorney, Agent, or Firm—Ralph S. Branscomb

[57] CLAIM

The ornamental design for a fire hydrant valve, as shown and described.

DESCRIPTION

FIG. 1 is a perspective view taken from the front, top and left side of a fire hydrant valve, showing my new design;
 FIG. 2 is a rear elevational view thereof;
 FIG. 3 is a right side elevational view thereof;
 FIG. 4 is a top plan view thereof; and
 FIG. 5 is a bottom plan view thereof.



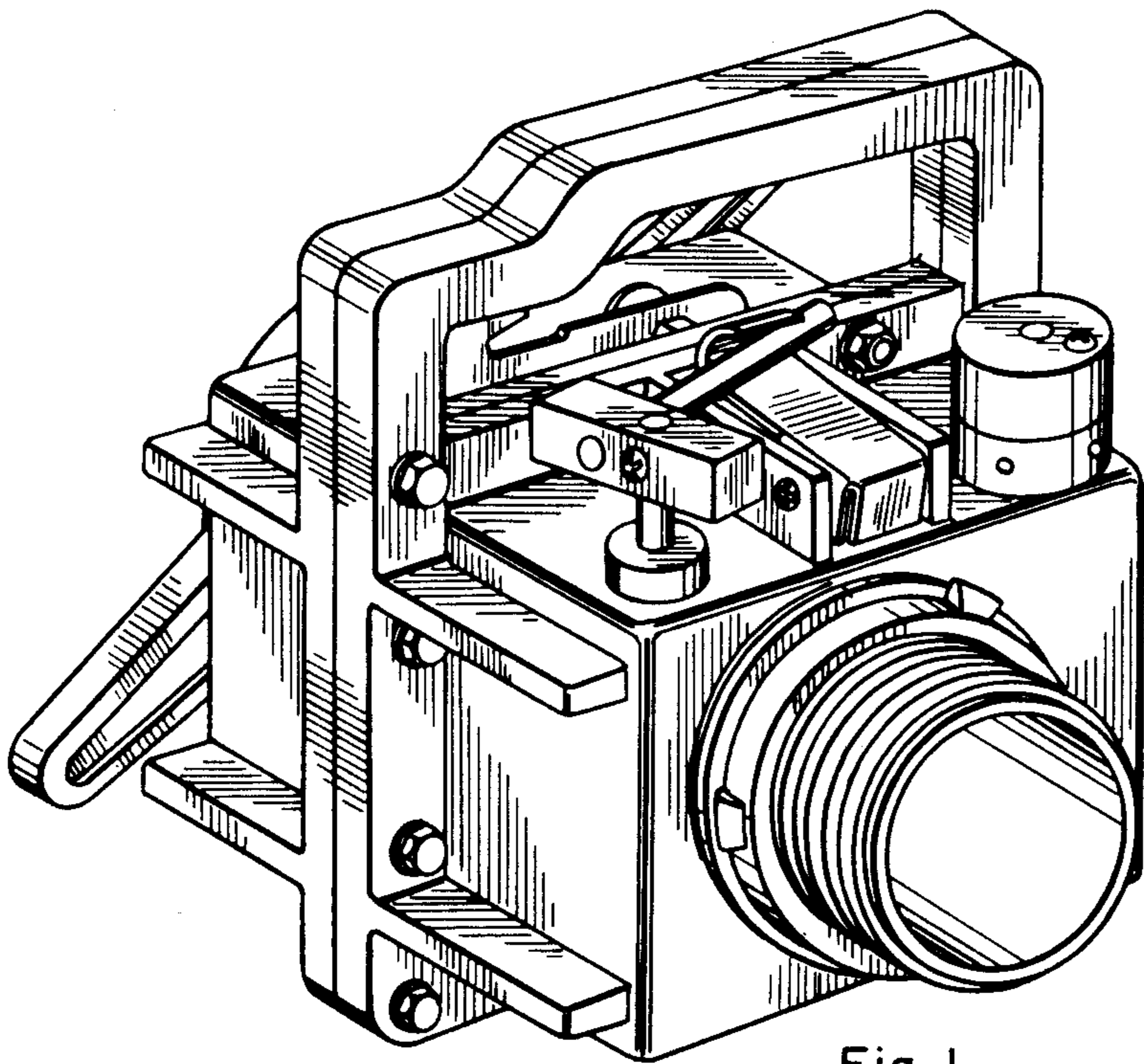


Fig. 1

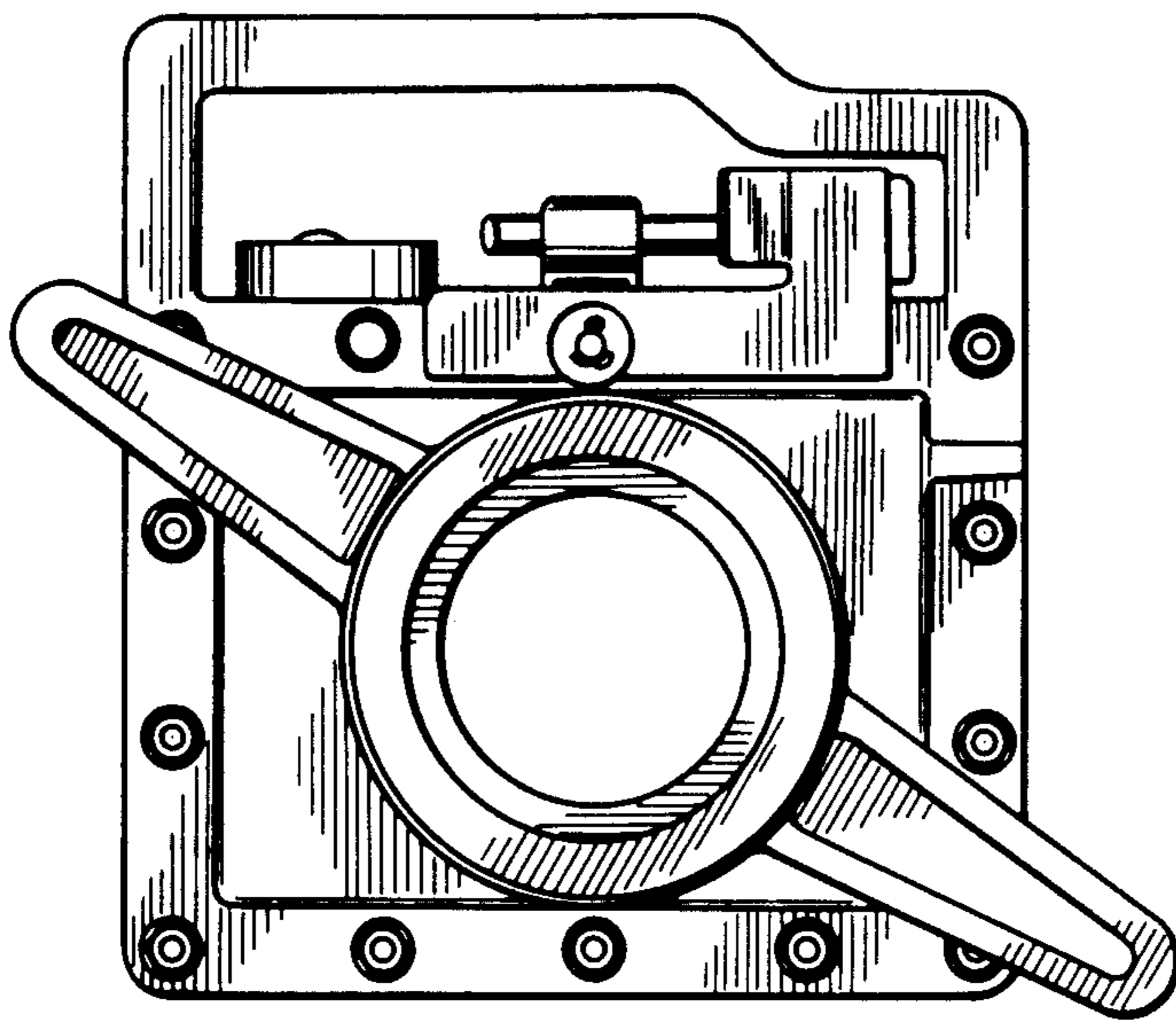


Fig. 2

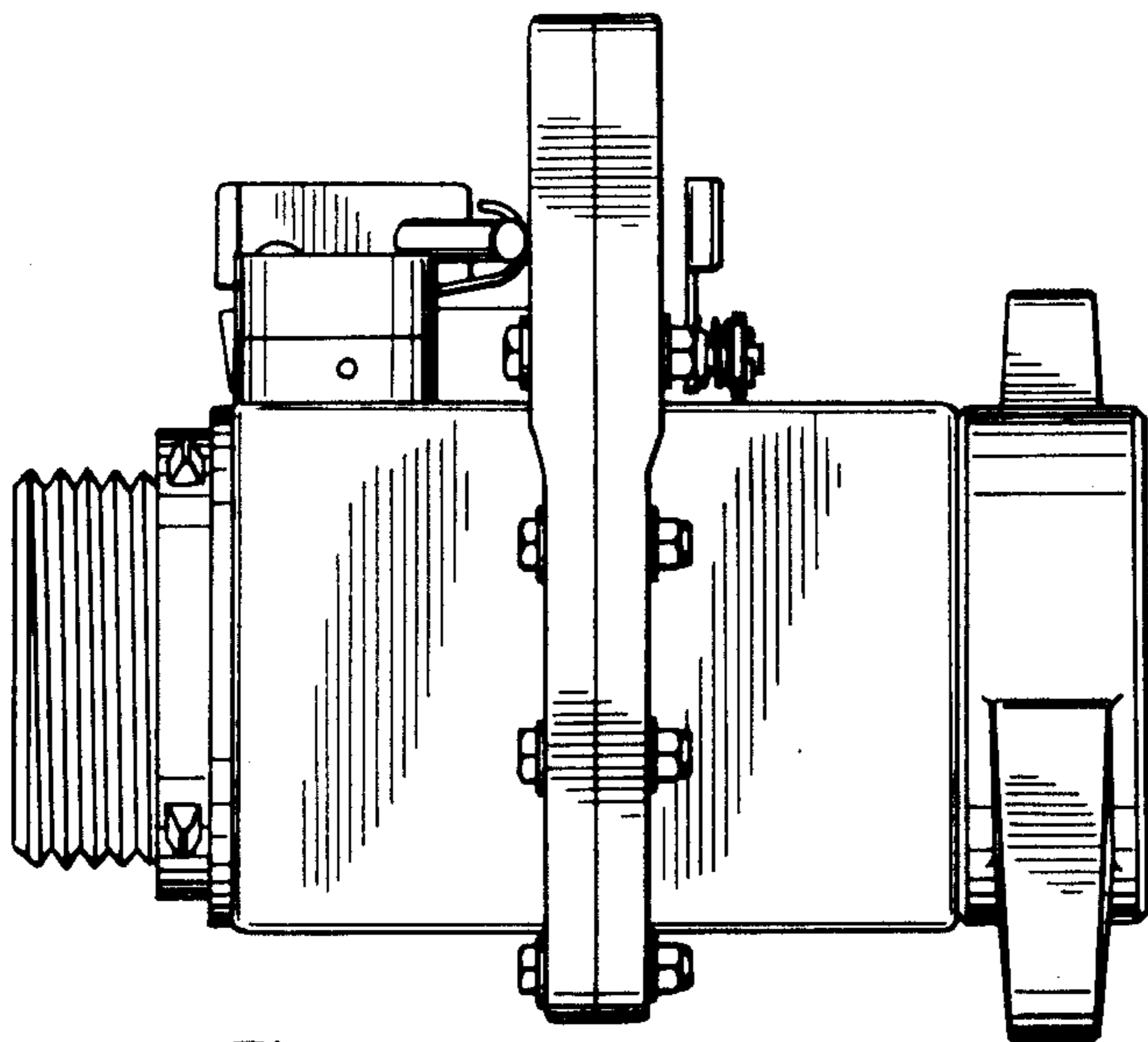


Fig. 3

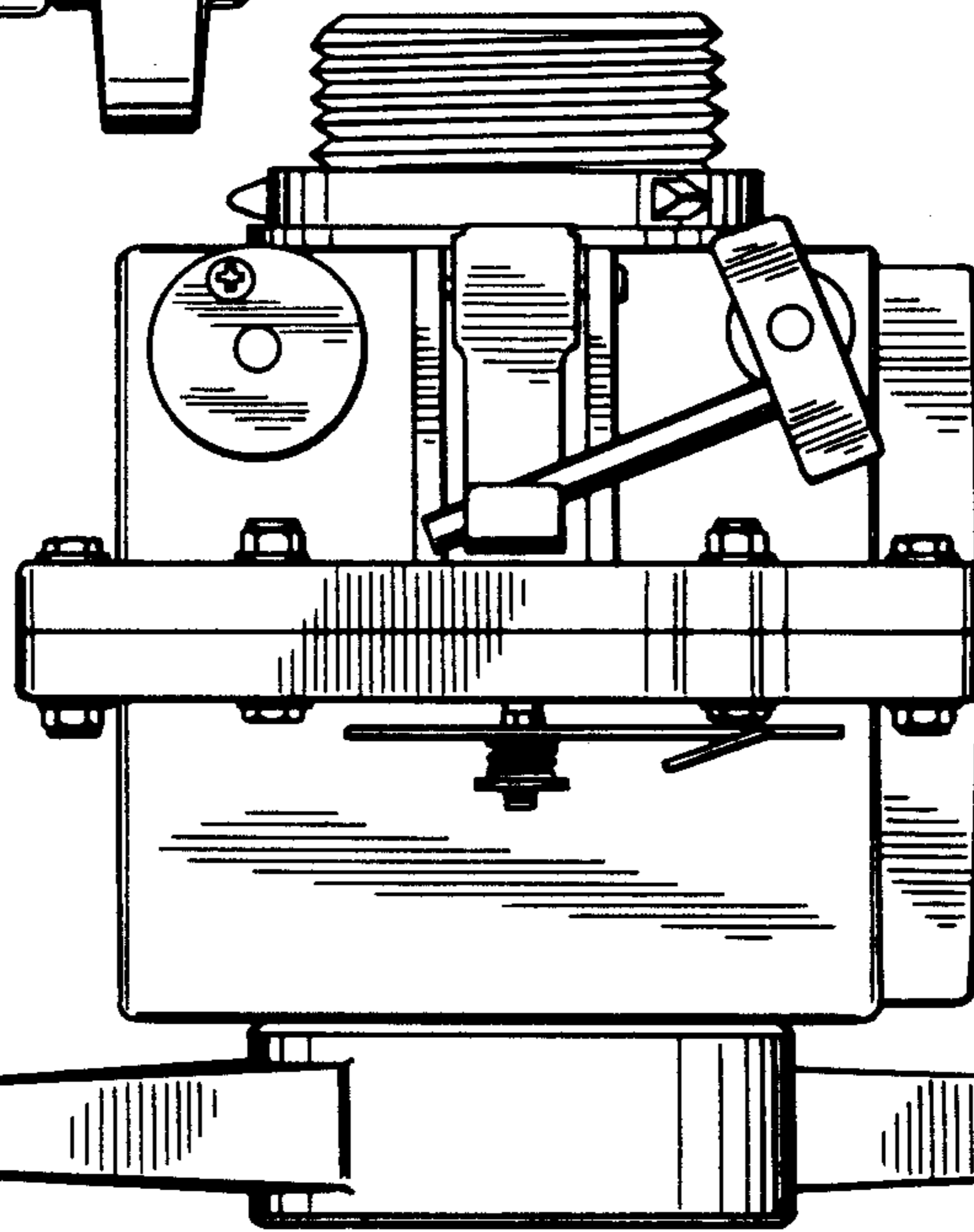


Fig. 4

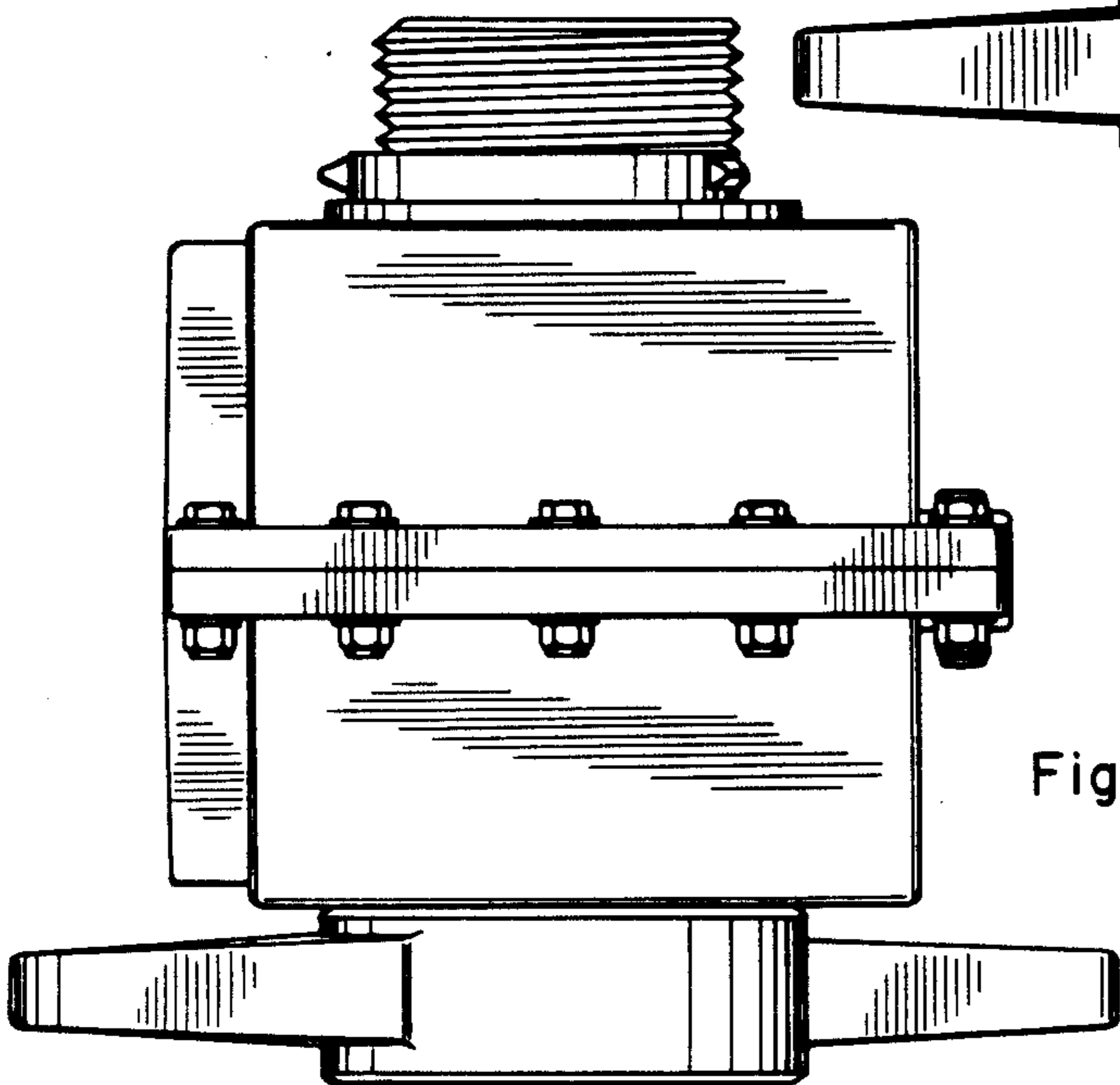


Fig. 5