

[54] LIVE BAIT WELL

[76] Inventors: Karl W. Corby; William H. Ogden, III, both of Ocean Reef Club, Key Largo, Fla. 33037; Harold London, 11141 SW. 40th Ct., Davie, Fla. 33328

[**] Term: 14 Years

[21] Appl. No.: 932,039

[22] Filed: Aug. 8, 1978

[51] Int. Cl. D22-05

[52] U.S. Cl. D22/22; D22/18

[58] Field of Search D22/13, 14, 18, 22; 43/57

[56] References Cited

U.S. PATENT DOCUMENTS

3,092,926 6/1963 Baker 43/57

3,217,444 11/1965 Howard D22/22 X
3,348,330 10/1967 Gilliam 43/57
4,037,349 7/1977 Key 43/57
4,166,086 8/1979 Wright 43/57 X

Primary Examiner—A. Hugo Word
Attorney, Agent, or Firm—William L. Gates

[57] CLAIM

The ornamental design for a live bait well, as shown.

DESCRIPTION

FIG. 1 is a perspective view of a live bait well showing our new design, the view showing the top and side thereof;

FIG. 2 is a top plan view, on a reduced scale, thereof; FIG. 3 is a bottom plan view, on a reduced scale, thereof;

FIG. 4 is a side elevational view, on a reduced scale, thereof; and

FIG. 5 is an opposite side elevational view, on a reduced scale, thereof.

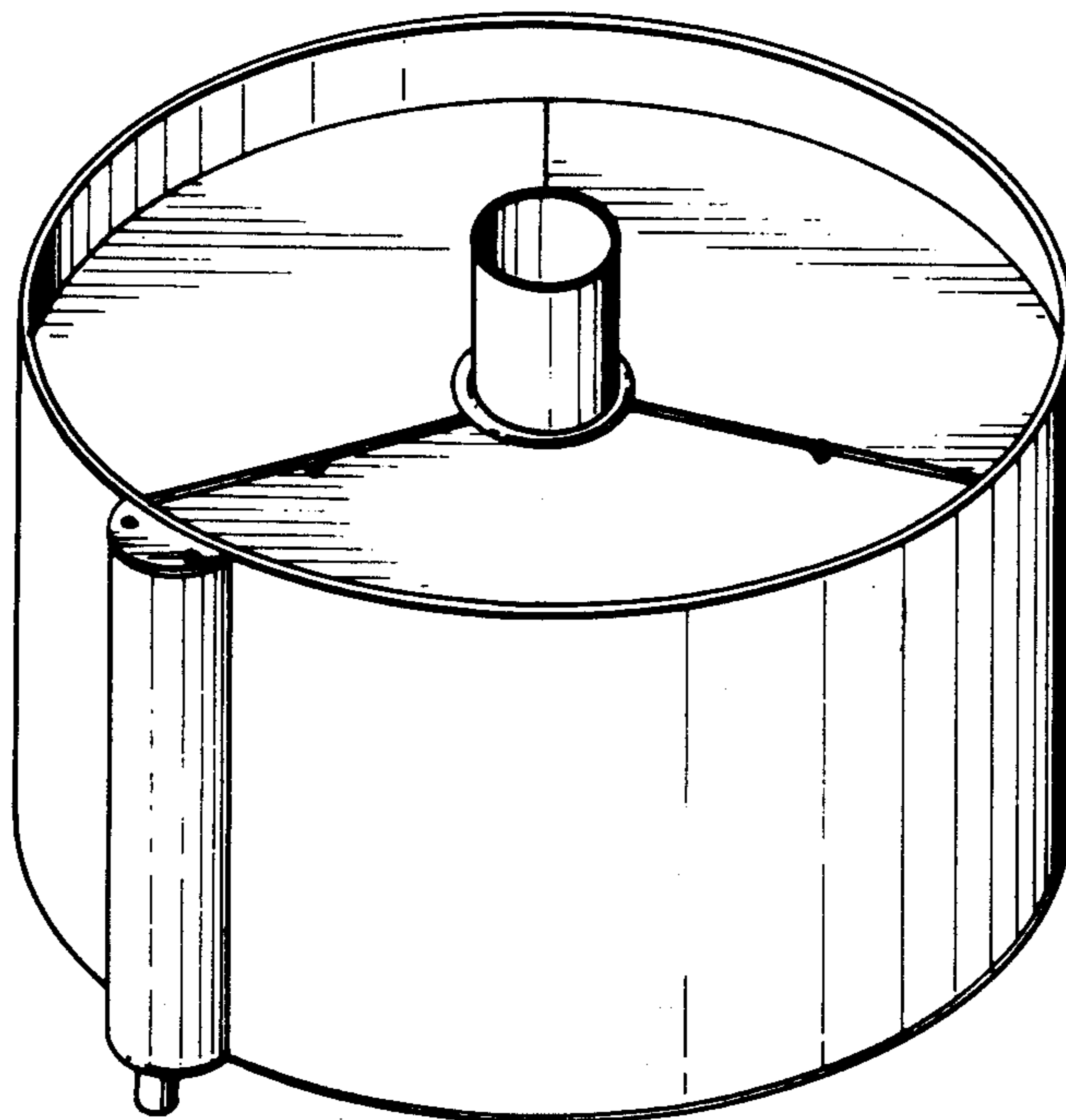


FIG.1

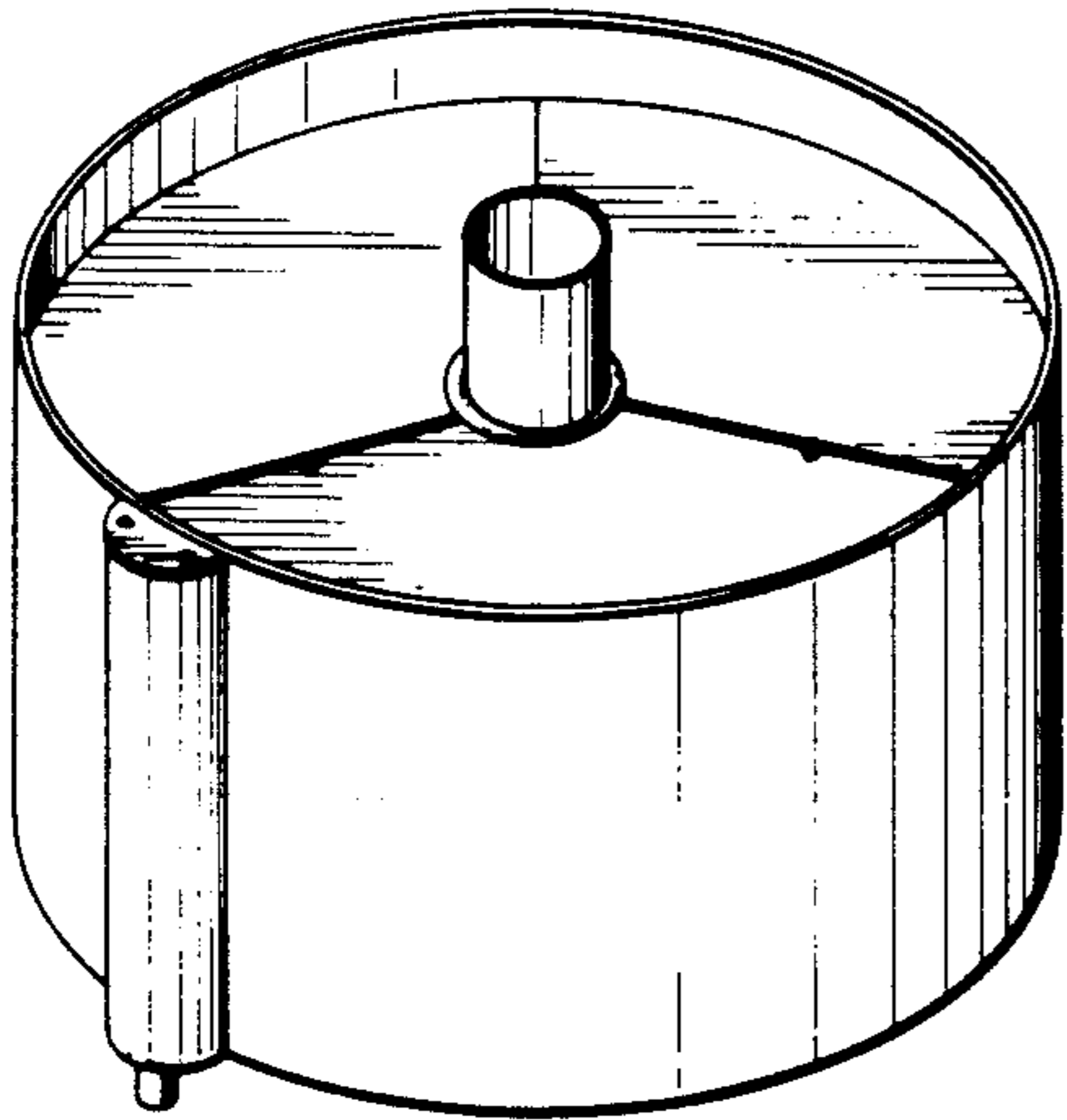


FIG.2

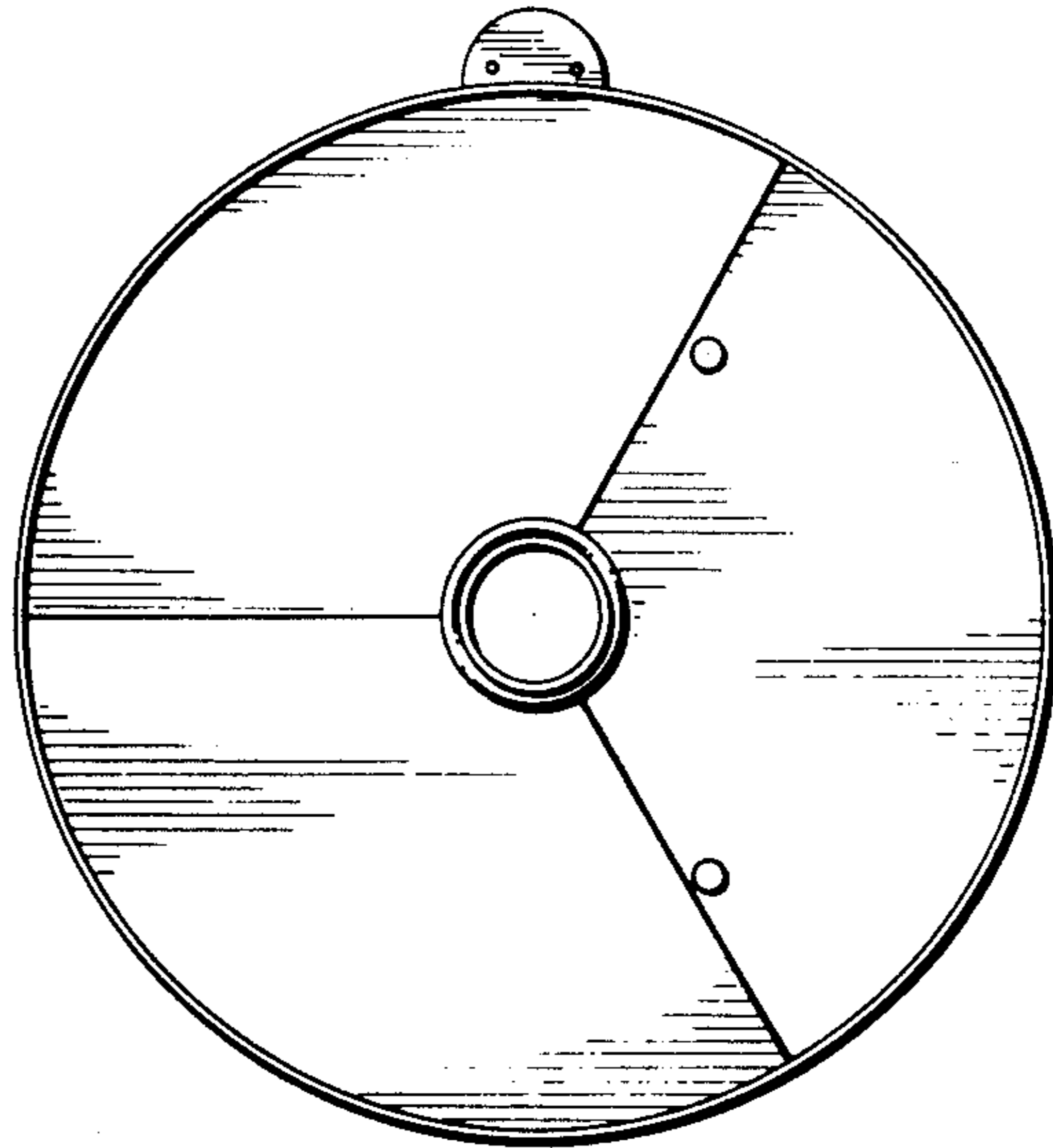


FIG.3

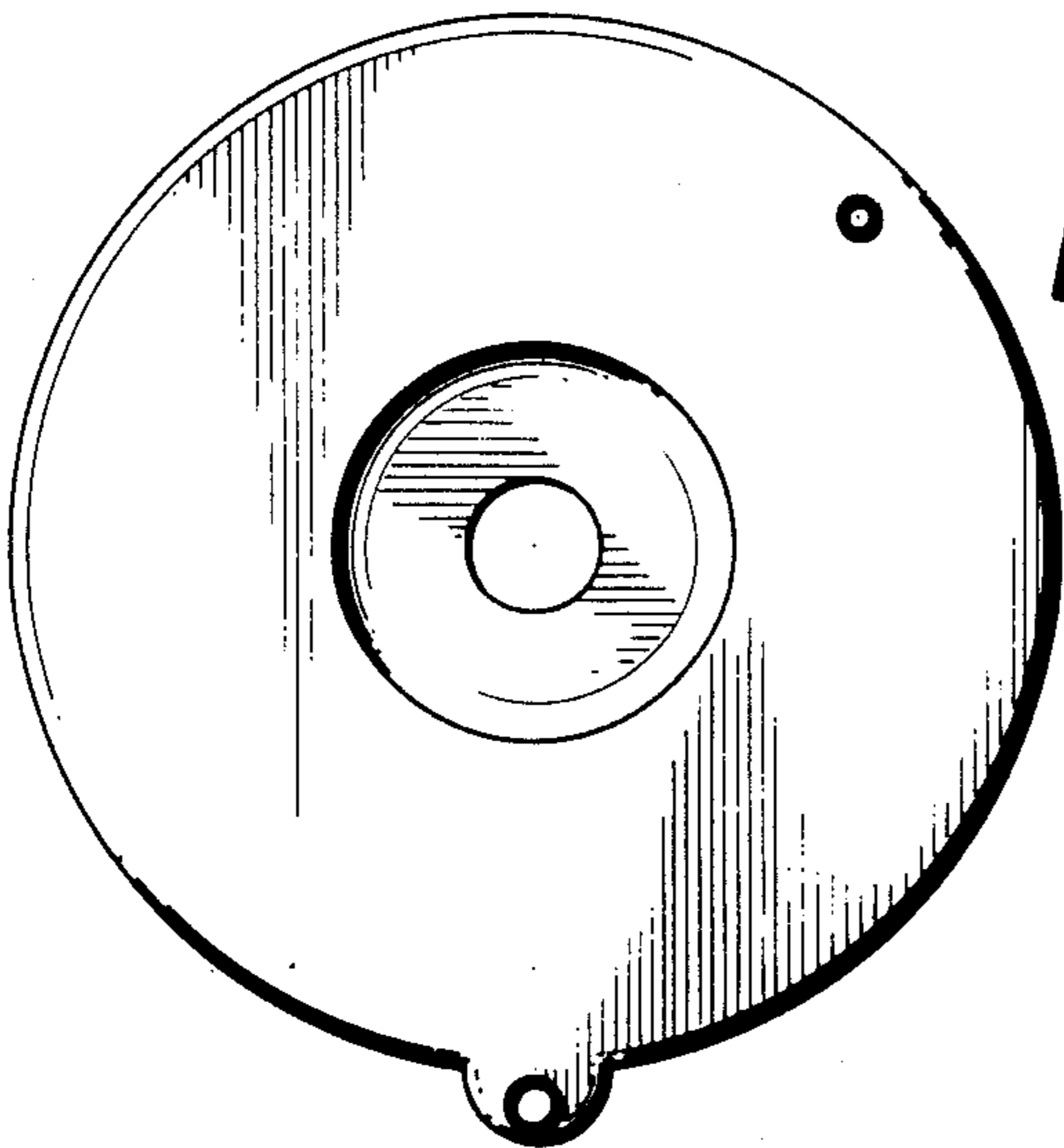


FIG.4

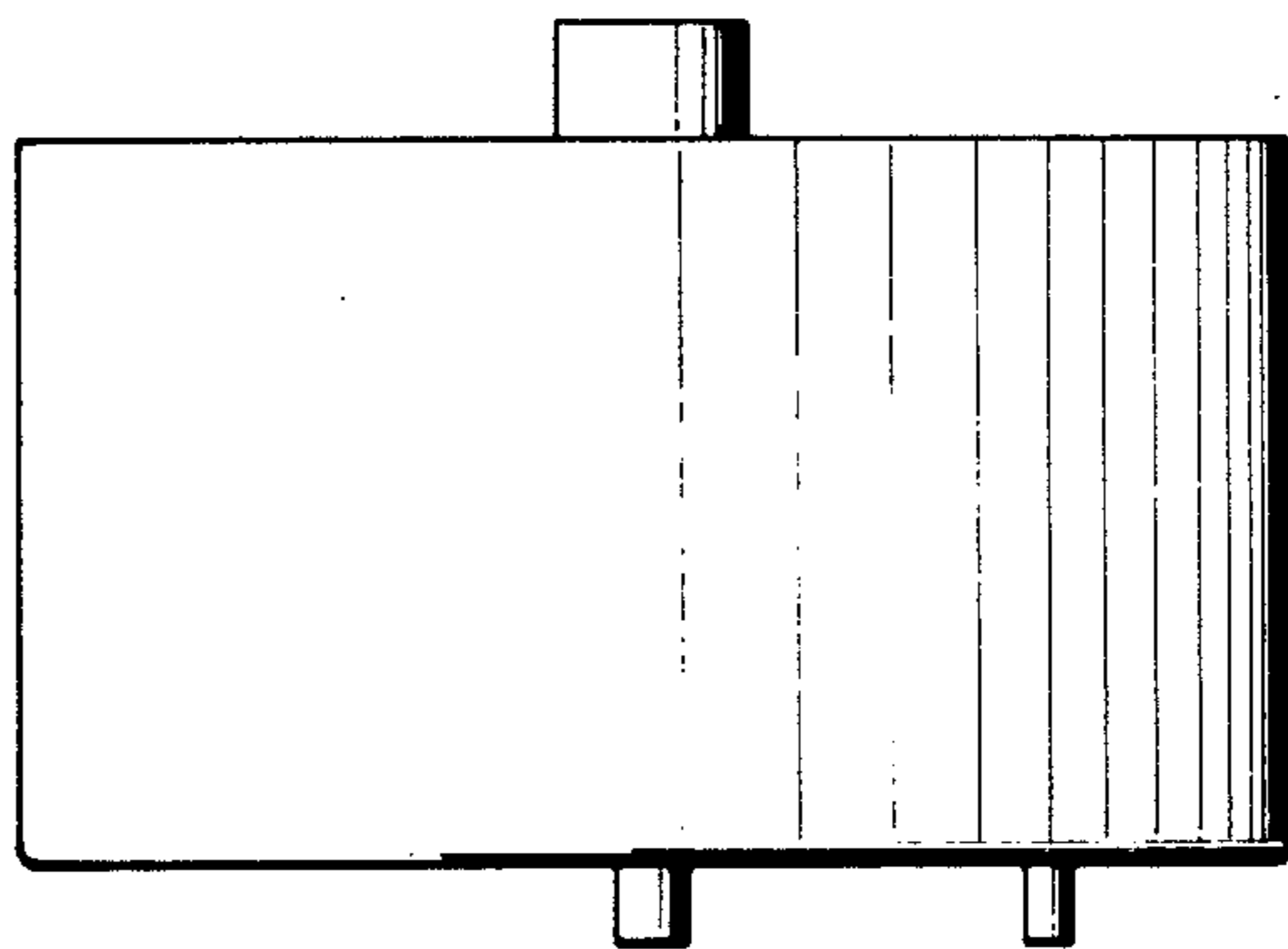


FIG.5

