

[54] **FILM FONT CLIP FOR USE IN SECURING A FLEXIBLE FONT TO A CHARACTER DRUM**

[75] Inventor: **Thomas L. Faul**, Toronto, Canada

[73] Assignee: **Universal Fonts Inc.**

[**] Term: **14 Years**

[21] Appl. No.: **835,162**

[22] Filed: **Sep. 21, 1977**

[51] Int. Cl. **D18-99**

[52] U.S. Cl. **D18/22**

[58] Field of Search **D16/38; D8/349, 354, D8/382; D18/22; 354/15, 18, 19, 292; 402/60, 61, 64; 24/255 R, 259 R, 259 FS**

[56] **References Cited**

U.S. PATENT DOCUMENTS

Re. 28,785	4/1976	Hanson et al.	354/15 X
3,738,236	6/1973	Grube et al.	354/15
3,921,182	11/1975	Hansen et al.	354/15
4,089,009	5/1978	Frazier	354/19 X
4,121,229	10/1978	Edhlund	354/15

FOREIGN PATENT DOCUMENTS

2726776 3/1979 Fed. Rep. of Germany 354/19

Primary Examiner—Catherine E. Kemper
Attorney, Agent, or Firm—George H. Riches

[57] **CLAIM**

The ornamental design for a film font clip for use in securing a flexible font to a character drum, substantially as shown and described.

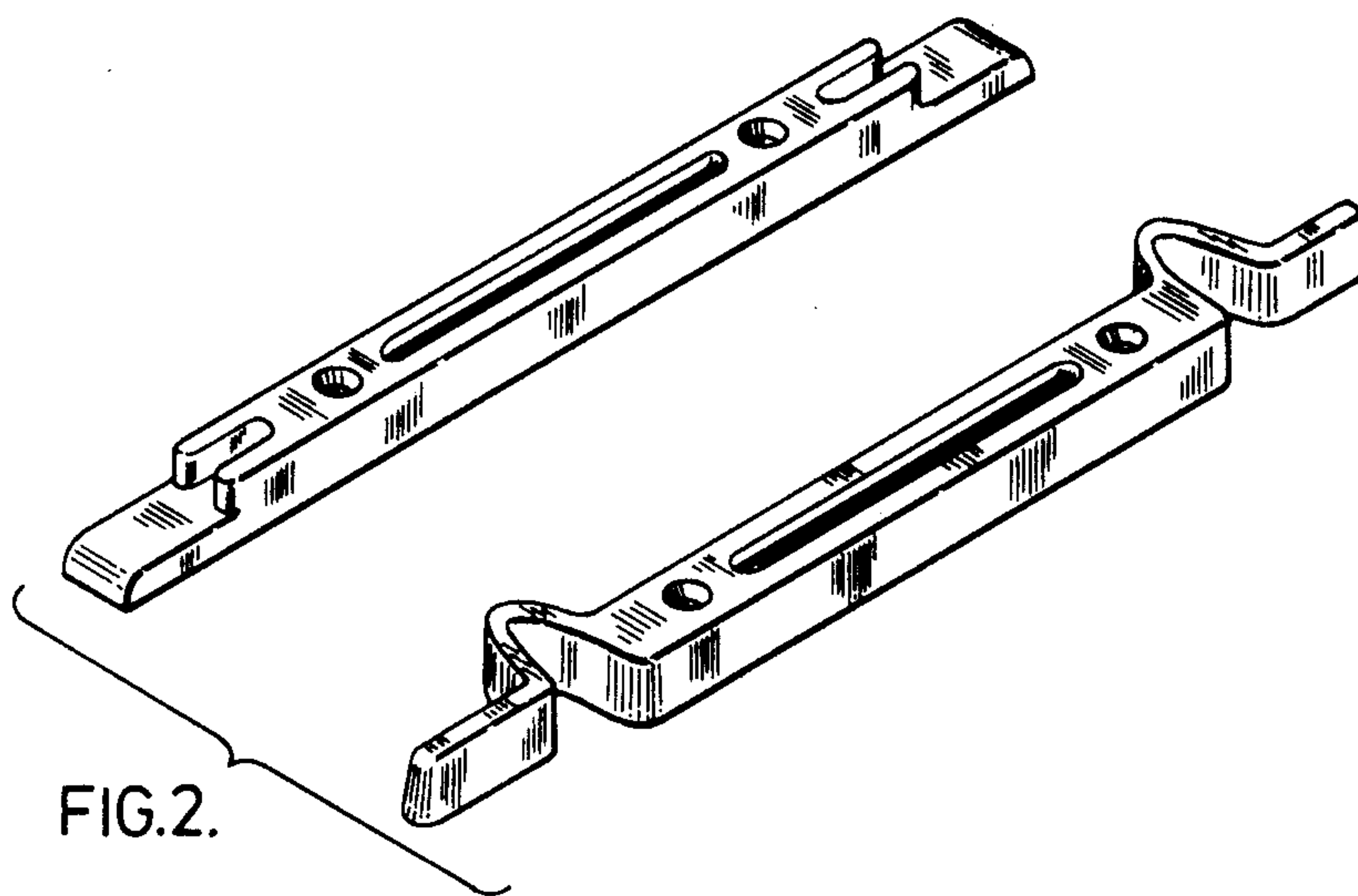
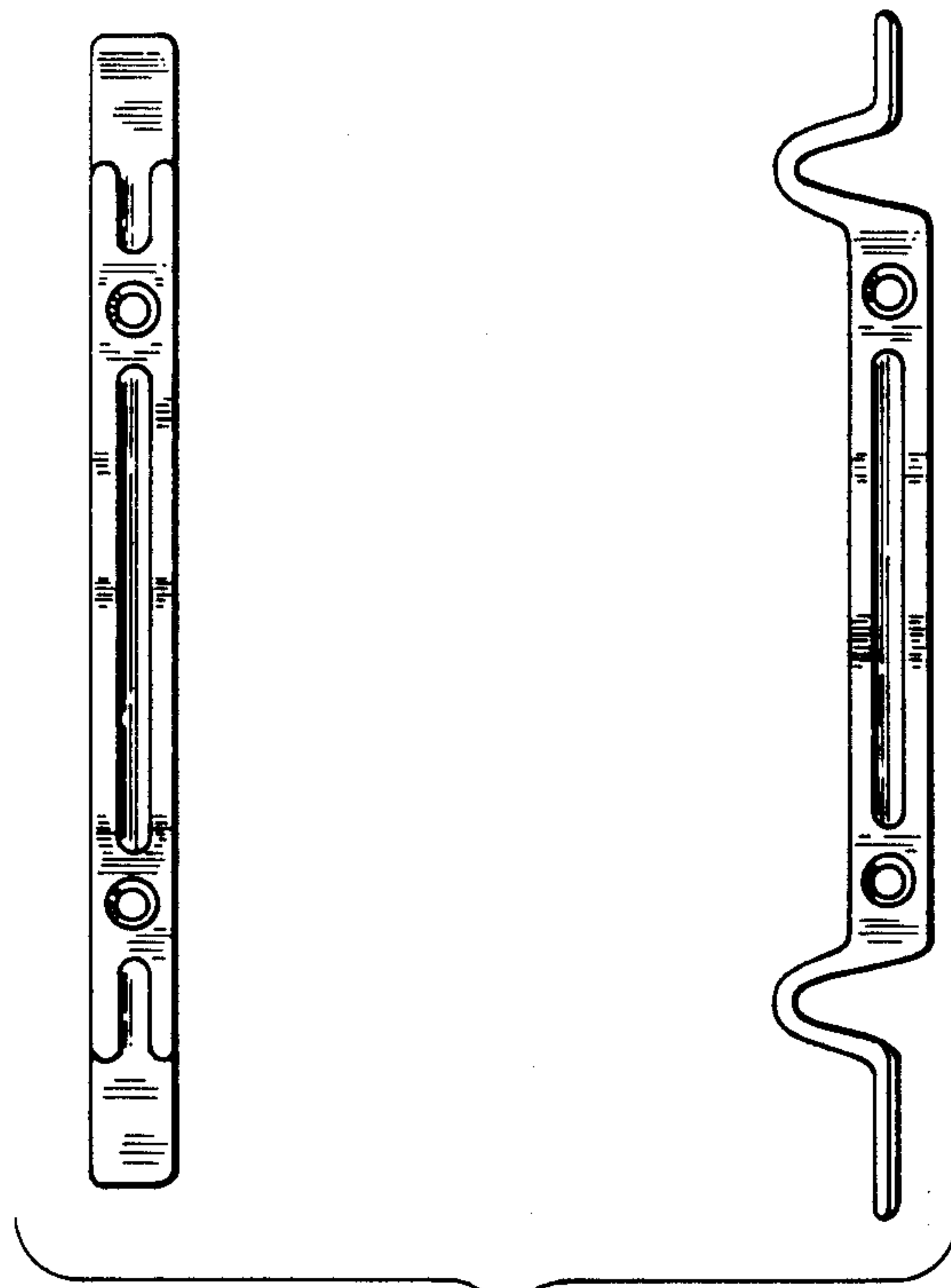
DESCRIPTION

FIG. 1 is an exploded top plan view of a film font clip for use in securing a flexible font to a character drum showing my new design;

FIG. 2 is an exploded front perspective view thereof; FIG. 3 is a top plan view thereof, with a flexible font shown in broken lines for illustrative purposes only and forming no part of the claimed design;

FIG. 4 is a front perspective view thereof, with a flexible font and a character drum shown in broken lines for illustrative purposes only and forming no part of the claimed design.





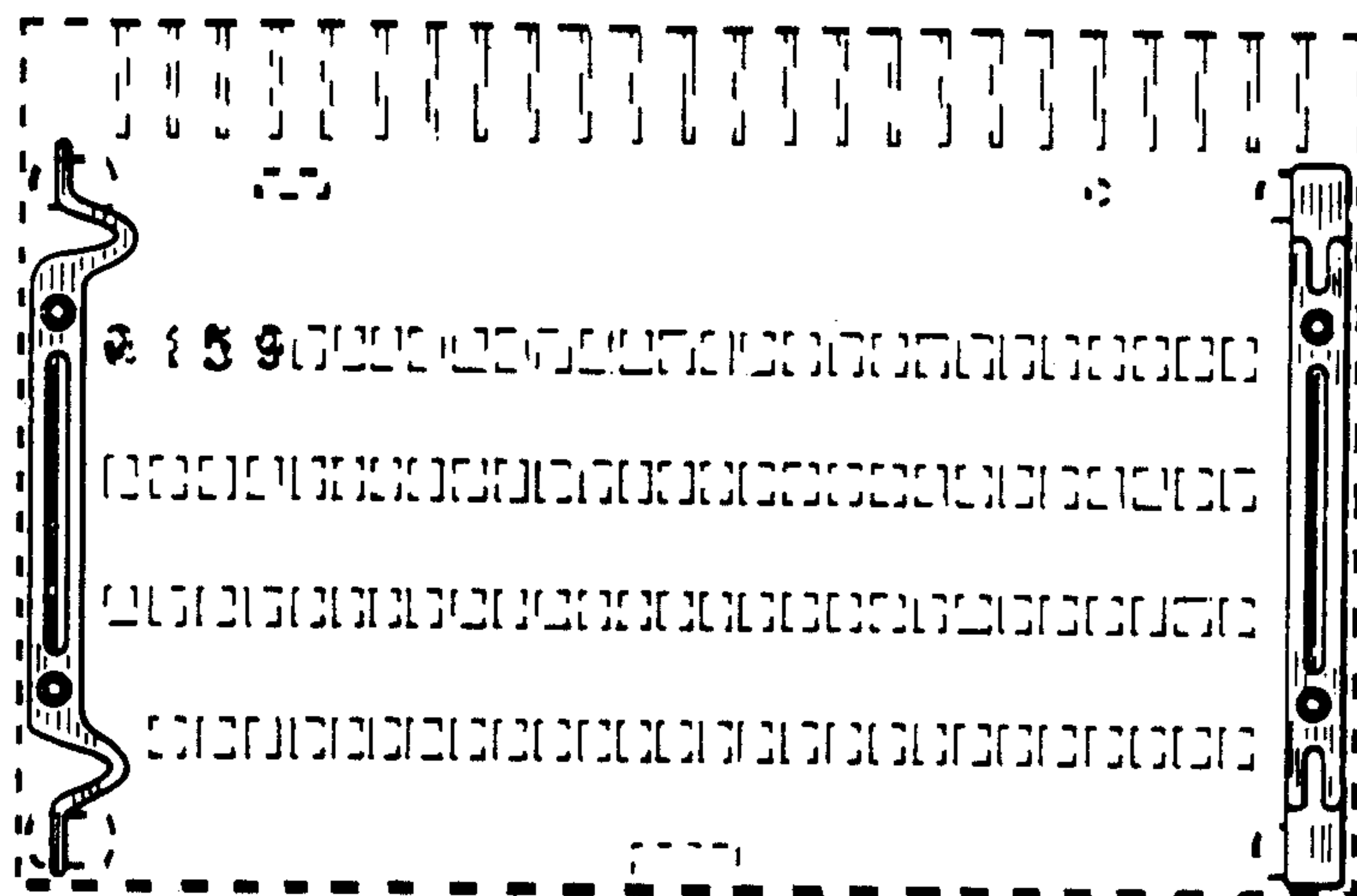


FIG. 3.

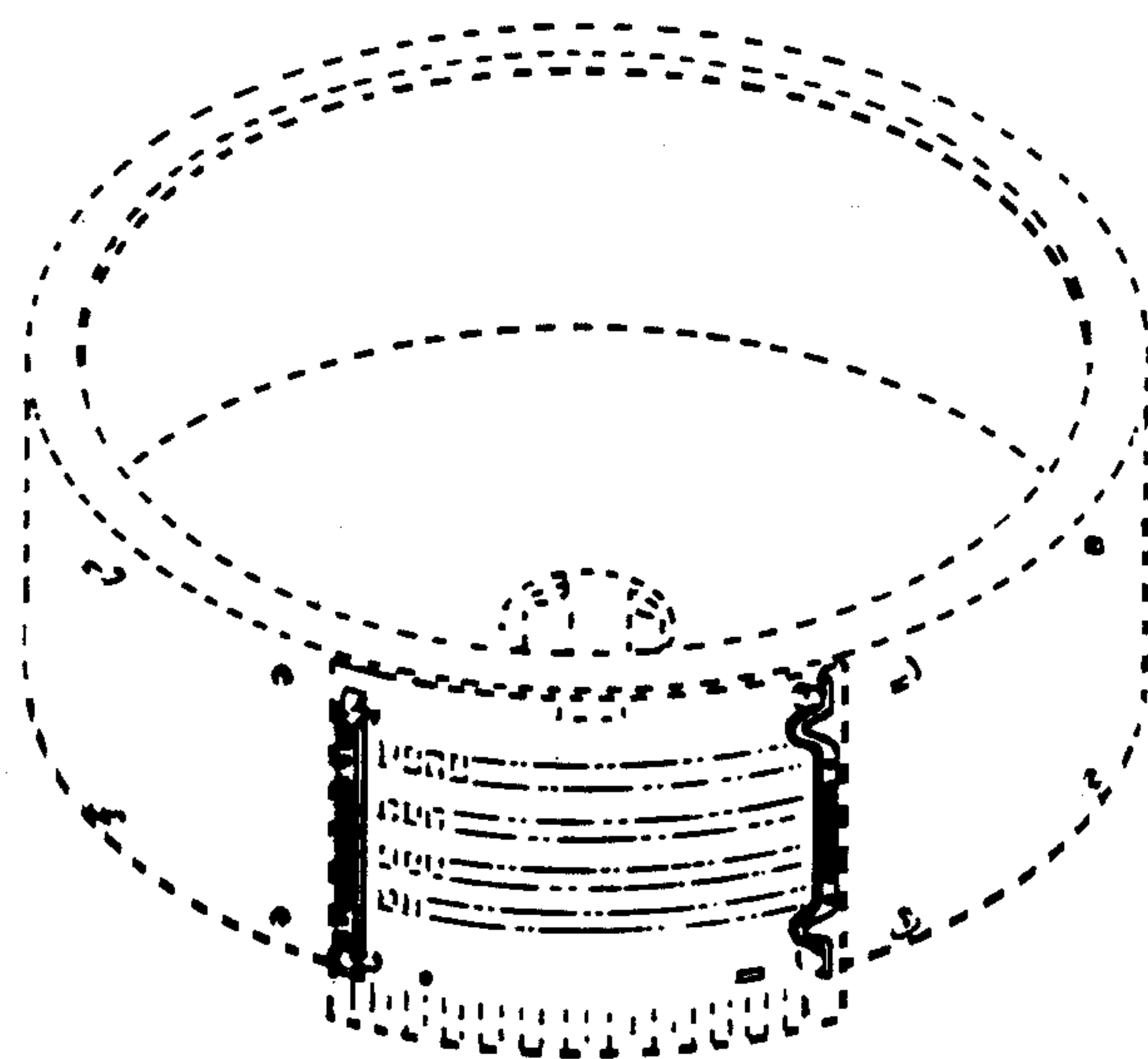


FIG. 4.