

[54] CYLINDER MOUNTING DEVICE FOR ELECTRONIC SCANNER USED IN PHOTOGRAPHIC REPRODUCTION

[76] Inventors: Robert J. Mahiques, 731 Parker Blvd., Buffalo, N.Y. 14223; Robert A. Dixon, 443 Allenhurst Rd., Amherst, N.Y. 14226

[\*\*] Term: 14 Years

[21] Appl. No.: 948,962

[22] Filed: Oct. 5, 1978

[51] Int. Cl. .... D16-03

[52] U.S. Cl. .... D16/32; D16/28

[58] Field of Search .... 40/506, 361, 19; 269/289 MR; D16/11, 32, 28; 358/285, 292

[56] References Cited U.S. PATENT DOCUMENTS

2,908,094	10/1959	Mast .....	D16/11
3,553,463	1/1971	Penfield et al. ....	358/285
3,958,250	5/1976	Rolon .....	358/292

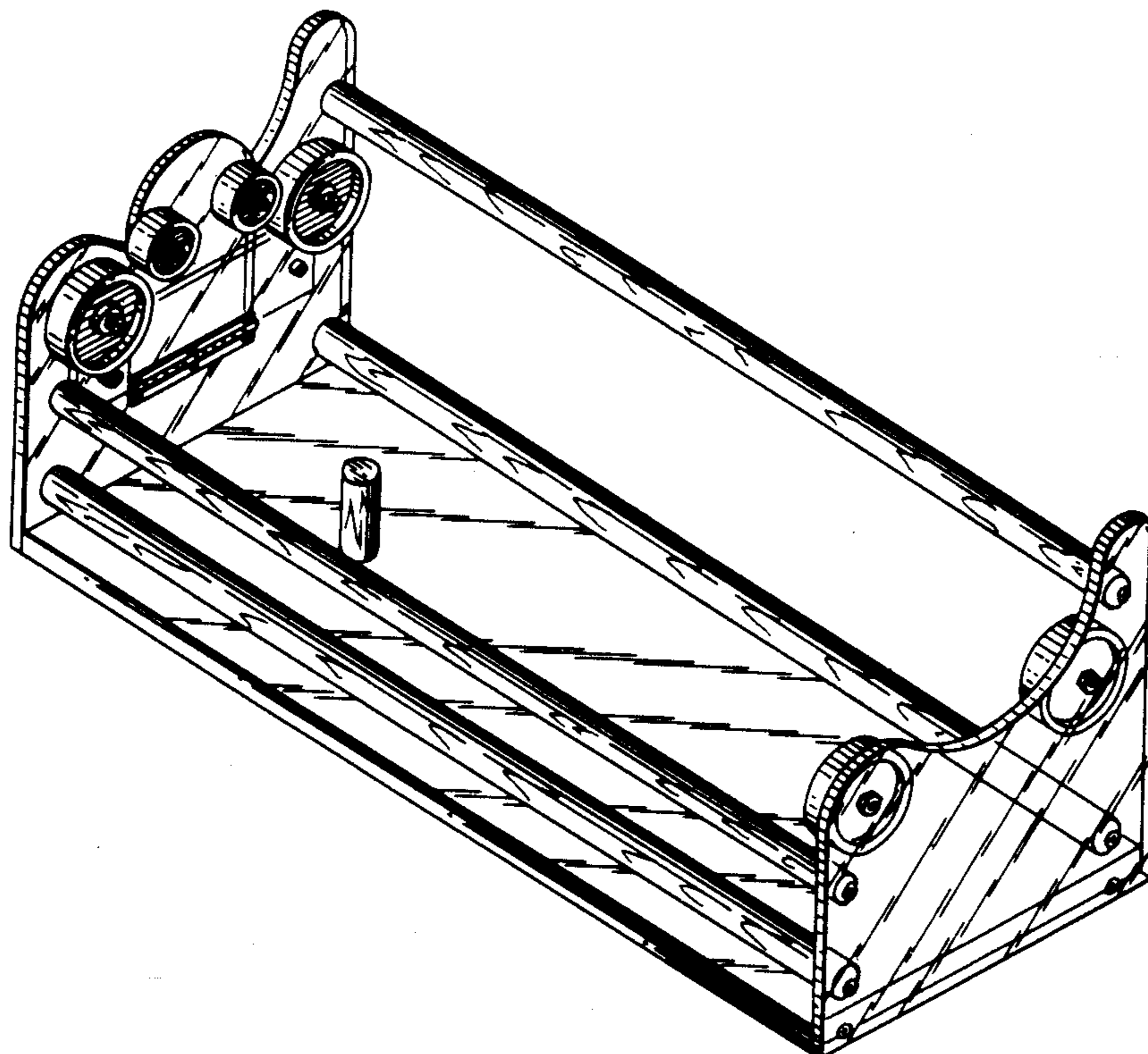
Primary Examiner—Sam Rosen  
Attorney, Agent, or Firm—John B. Bean

[57] CLAIM

The ornamental design for a cylinder mounting device for electronic scanner used in photographic reproduction, as shown.

DESCRIPTION

FIG. 1 is a perspective view of a cylinder mounting device for electronic scanner used in photographic reproduction showing my new design; FIG. 2 is an end elevational view thereof; FIG. 3 is an opposite end elevational view thereof; FIG. 4 is a top plan view thereof; FIG. 5 is a front elevational view thereof; FIG. 6 is a bottom plan view thereof; and FIG. 7 is a rear elevational view thereof.



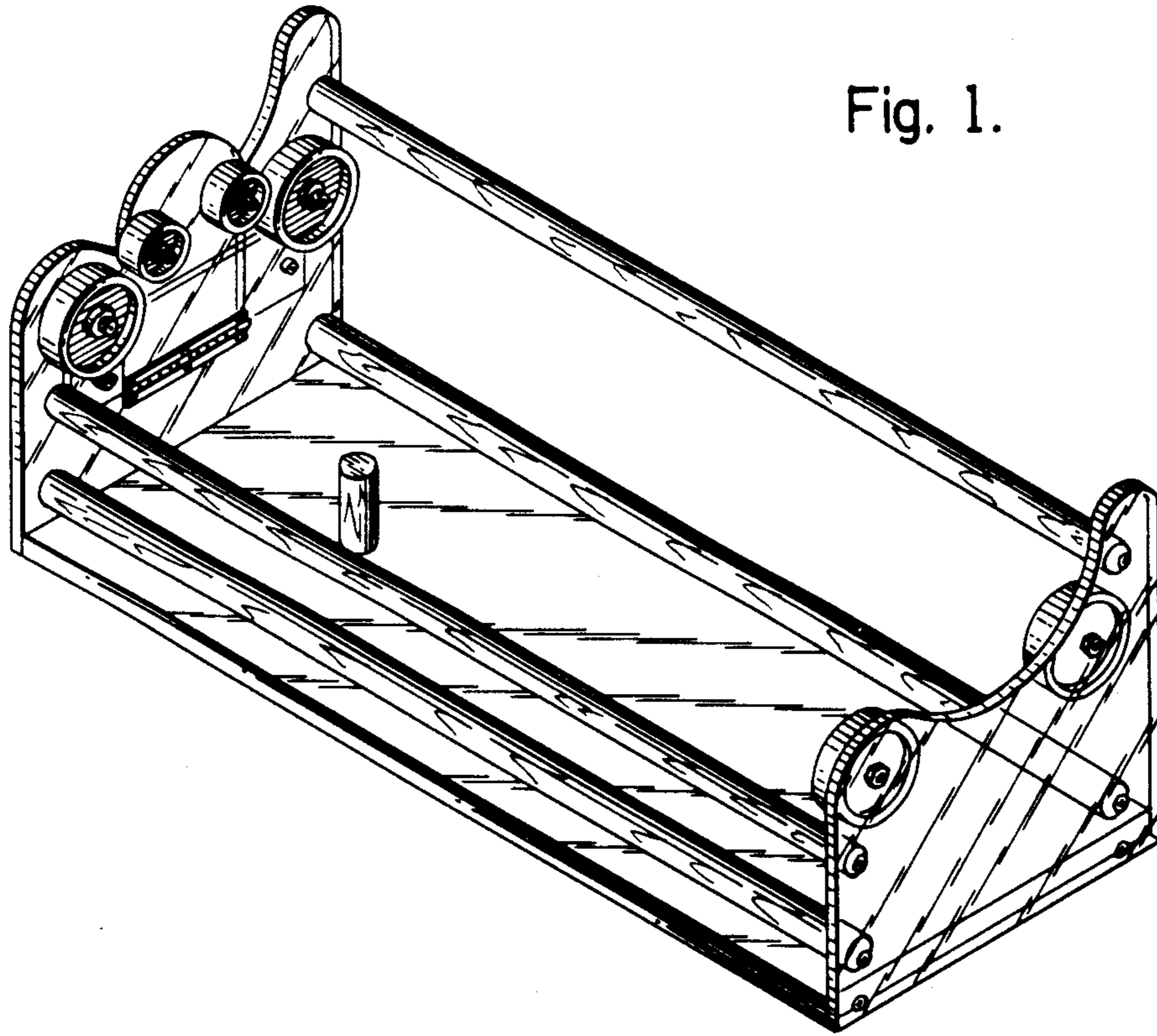
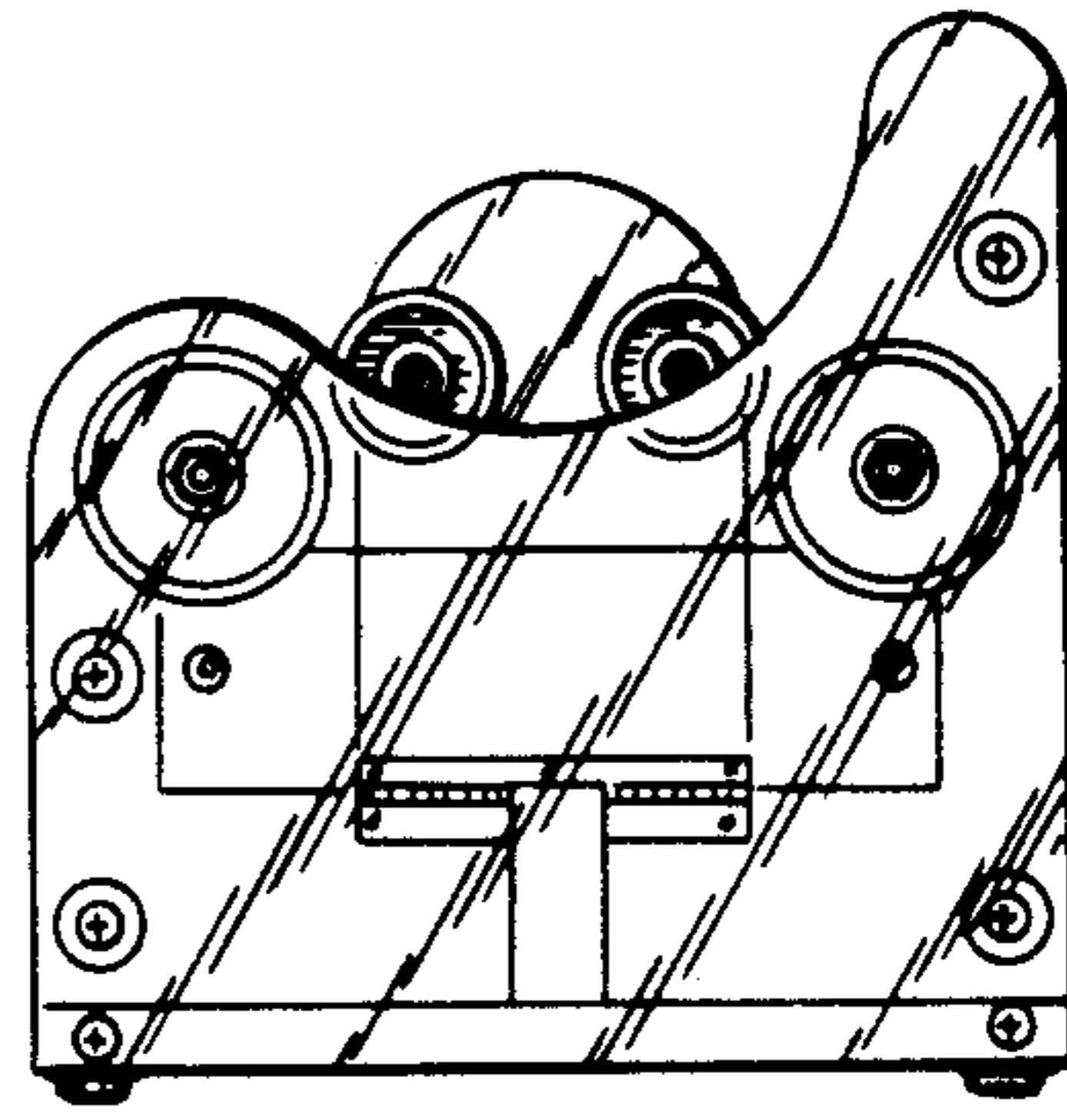
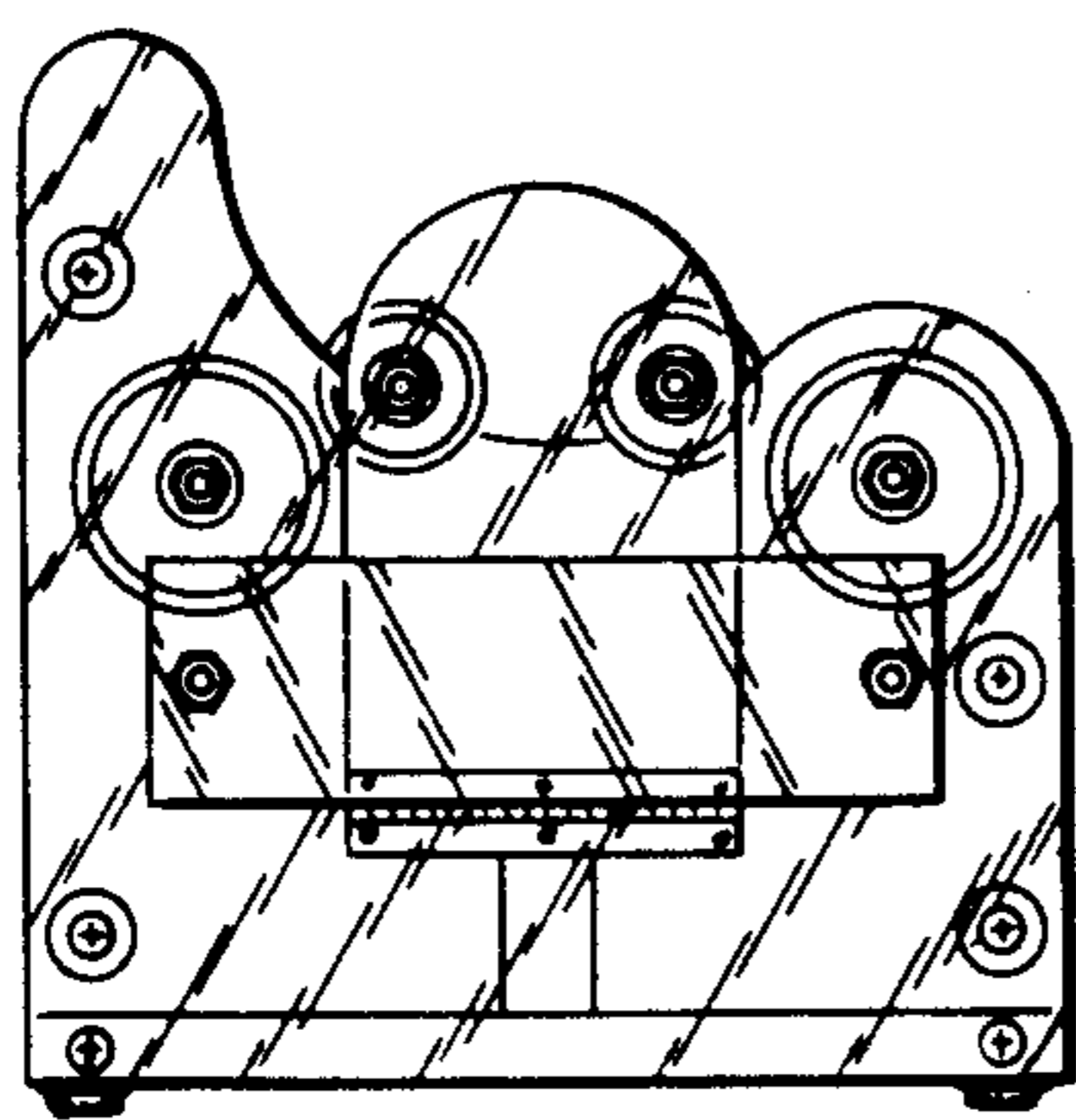


Fig. 1.

Fig. 2.

Fig. 3.



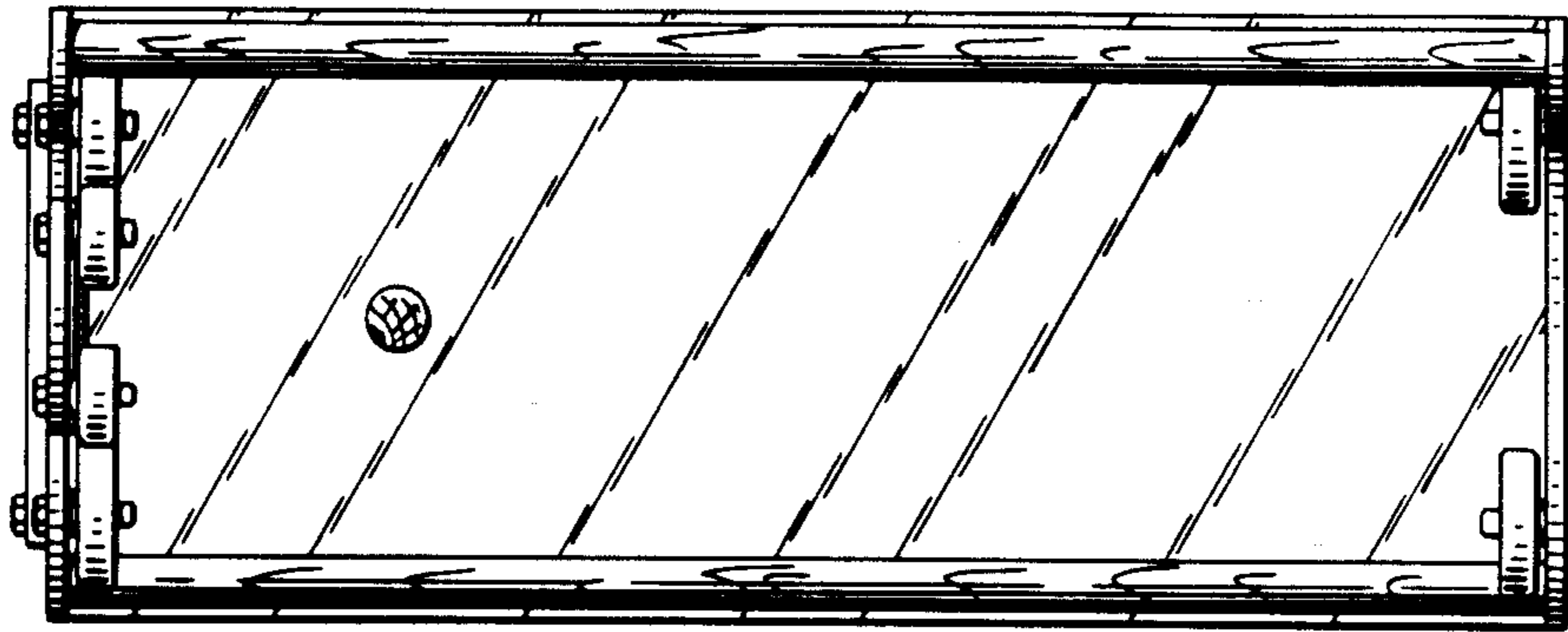


Fig. 4.

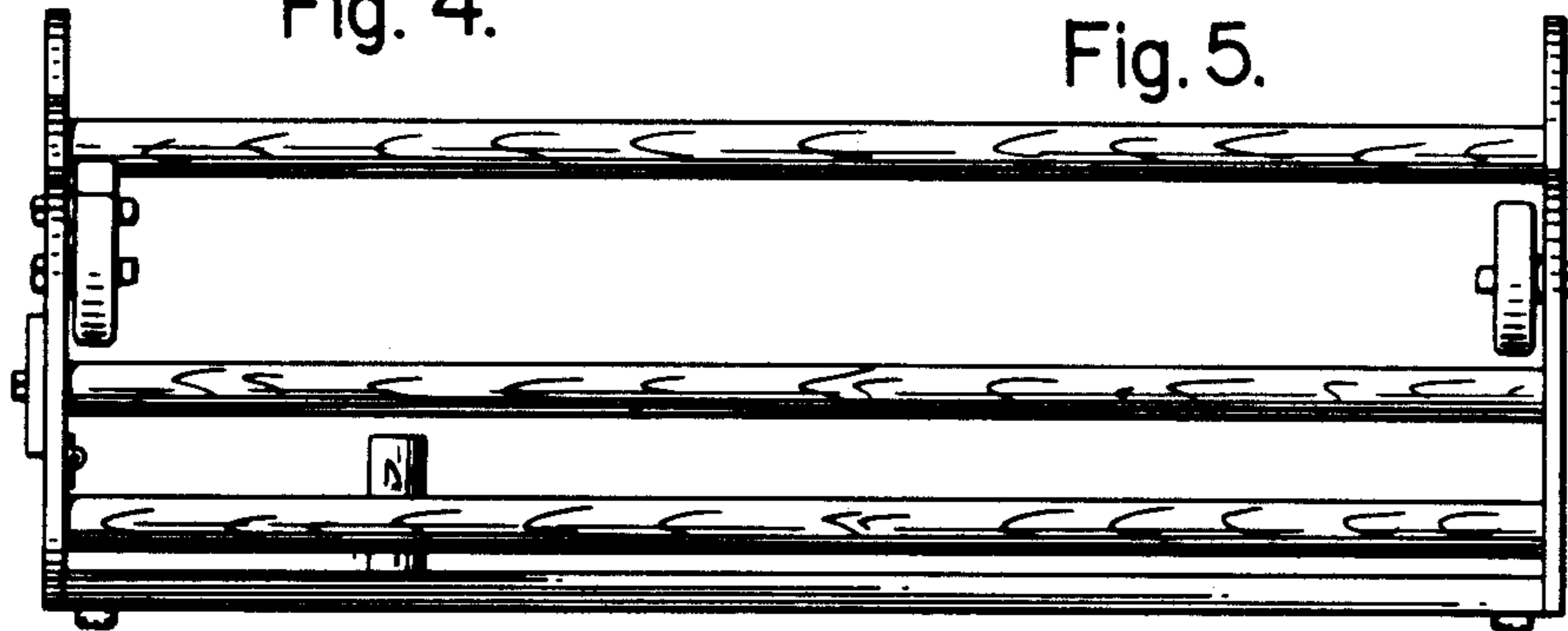


Fig. 5.

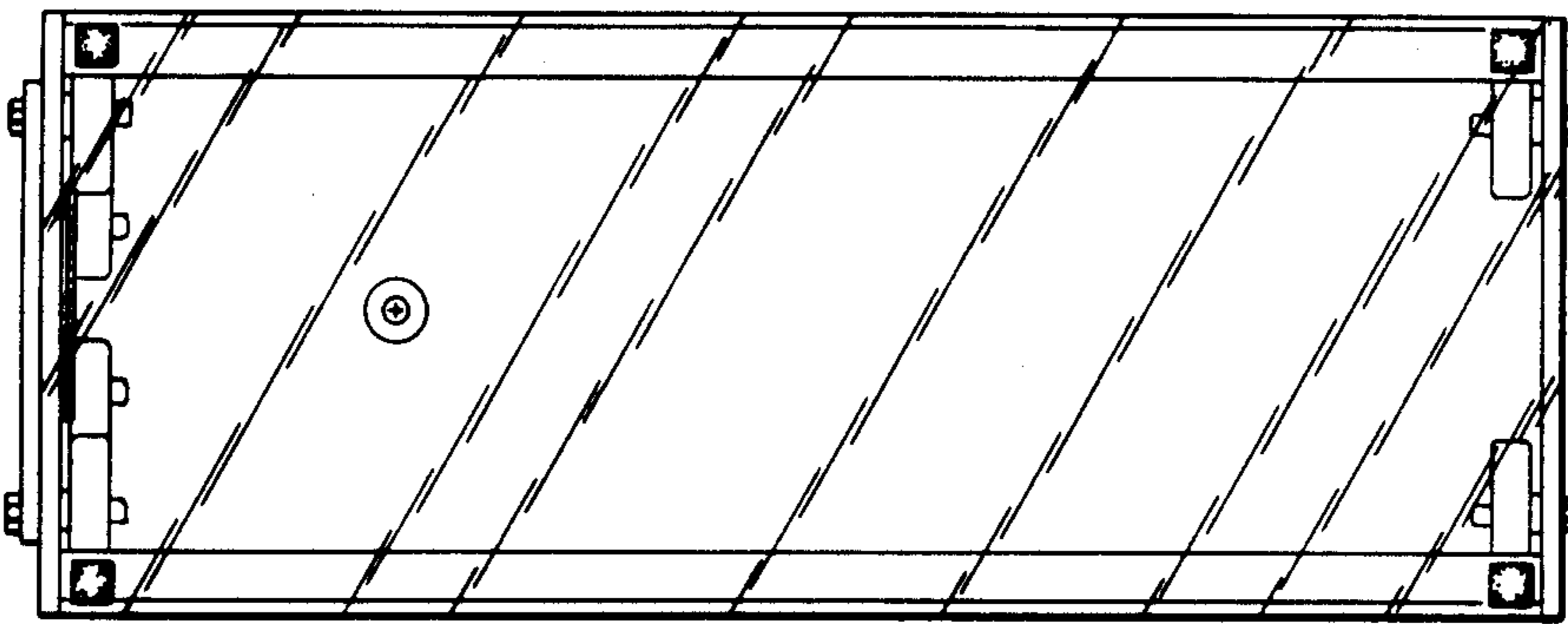


Fig. 6.

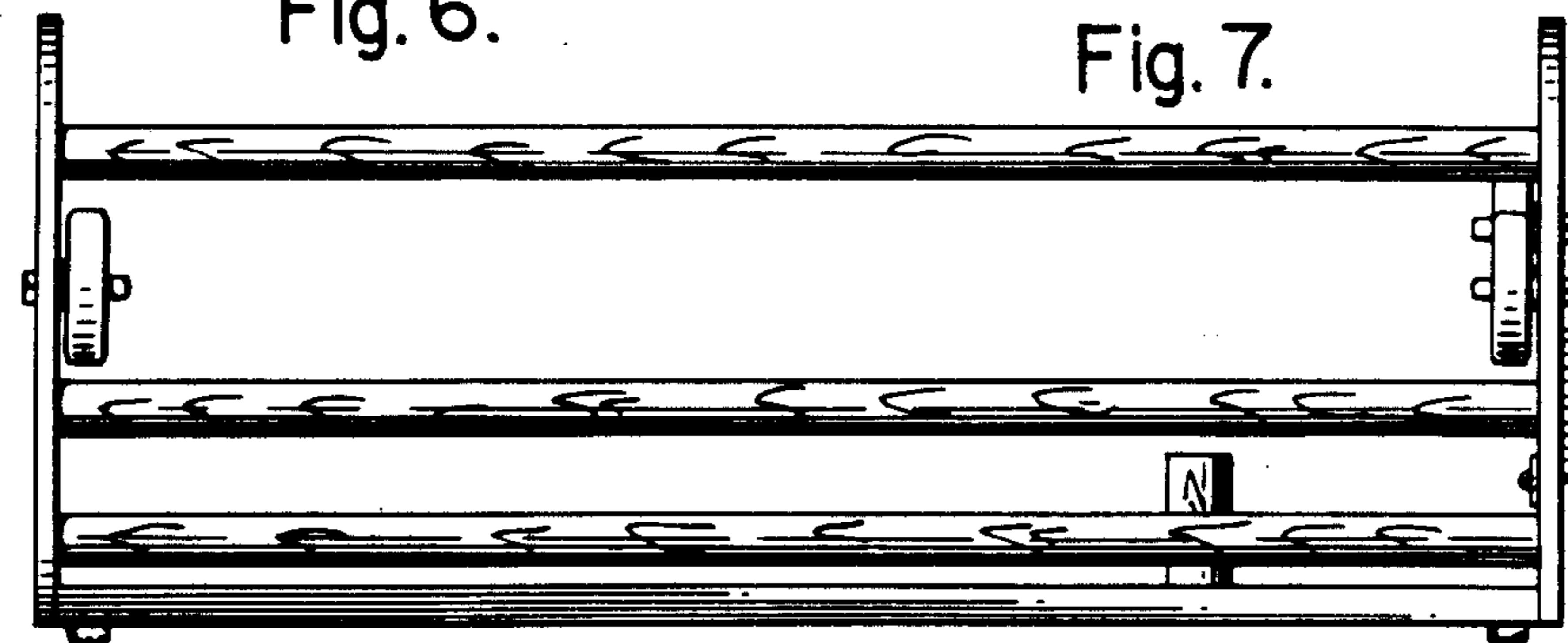


Fig. 7.