

[54] PORTABLE ELECTRIC REFRIGERATOR

[75] Inventor: Norio Tatsumi, Nitta, Japan

[73] Assignee: Sawafuji Denki Kabushiki Kaisha, Tokyo, Japan

[\*\*] Term: 14 Years

[21] Appl. No.: 855,956

[22] Filed: Nov. 30, 1977

[30] Foreign Application Priority Data

Jun. 17, 1977 [JP] Japan ..... 52023669

[51] Int. Cl. .... D15-07

[52] U.S. Cl. .... D15/83

[58] Field of Search ..... D15/81, 79, 83; 312/236; 62/440, 457

[56] References Cited

U.S. PATENT DOCUMENTS

3,410,109	11/1968	Maryland .....	62/457
3,796,063	3/1974	Wulke et al. ....	62/457
3,959,982	6/1976	Denis et al. ....	62/457

Primary Examiner—James M. Gandy  
Attorney, Agent, or Firm—James H. Littlepage

[57] CLAIM

The ornamental design for a portable electric refrigerator, as shown and described.

DESCRIPTION

FIG. 1 is a front elevational view of a portable electric refrigerator showing my design;  
FIG. 2 is a perspective view thereof from the rear side with the lid in open condition;  
FIG. 3 is a perspective view thereof from the front side with the lid in open condition;  
FIG. 4 is an end elevational view thereof.  
The bottom of the refrigerator is substantially flat and unornamented.

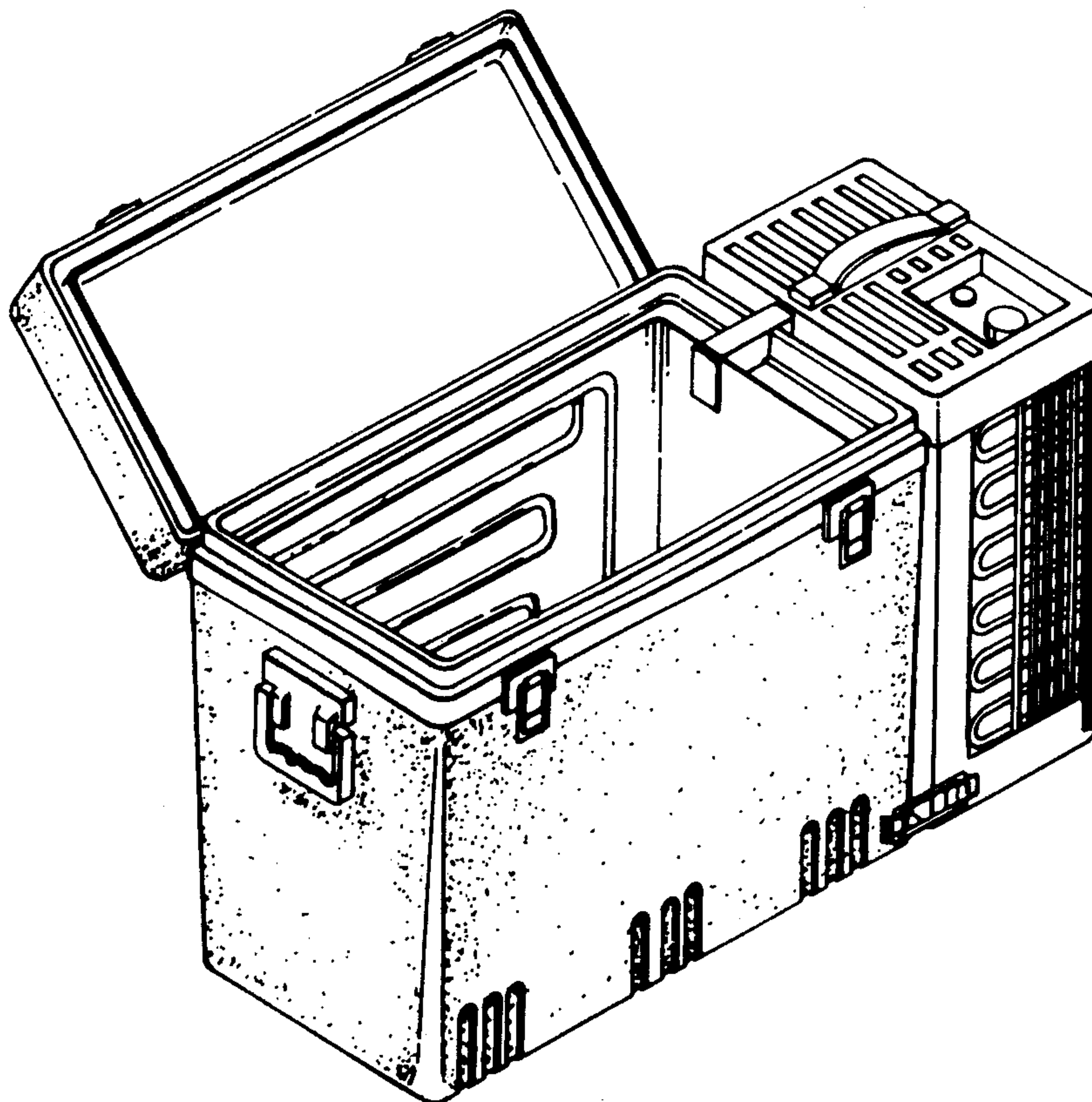


FIG. 1

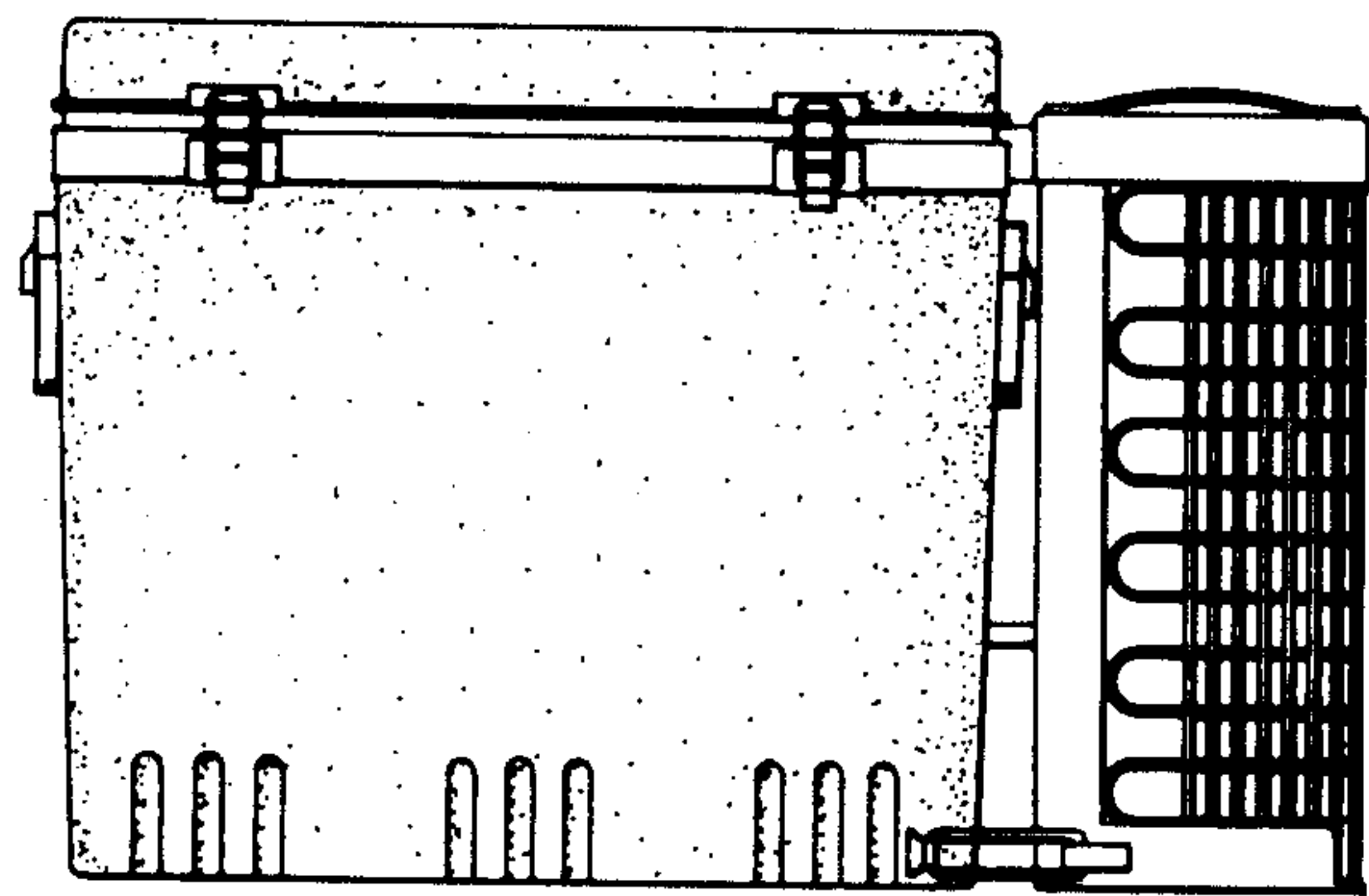


FIG. 2

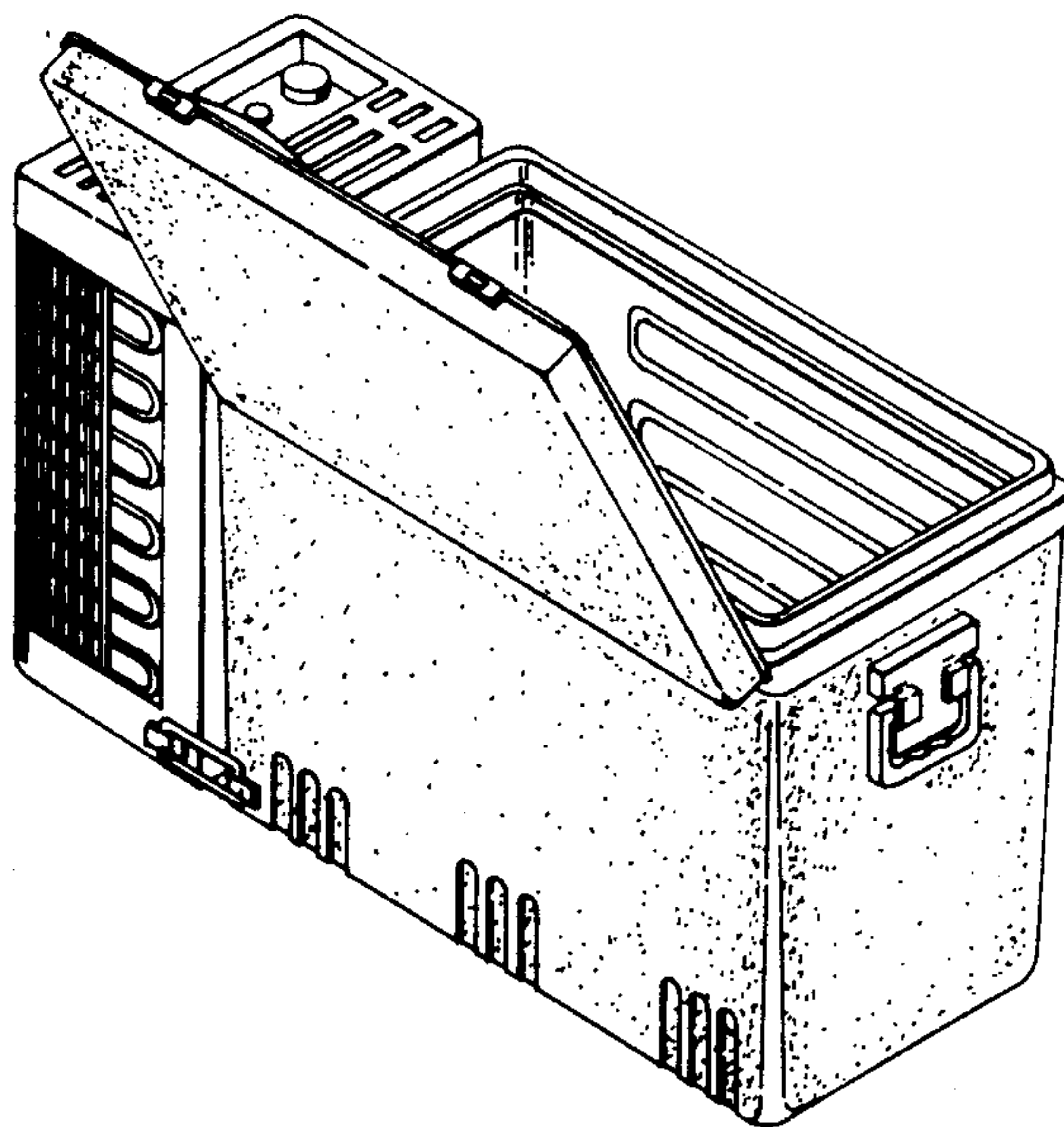
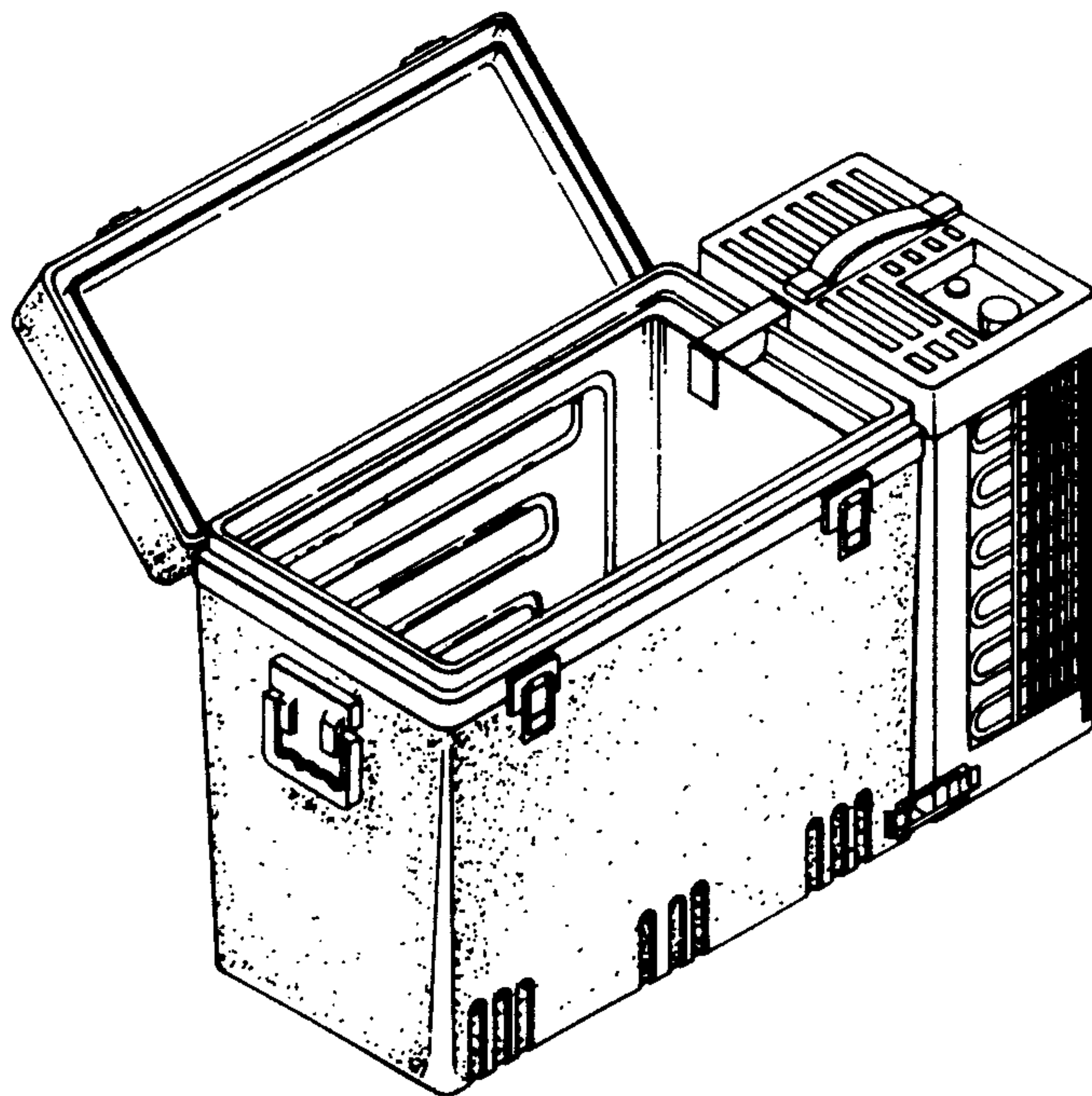
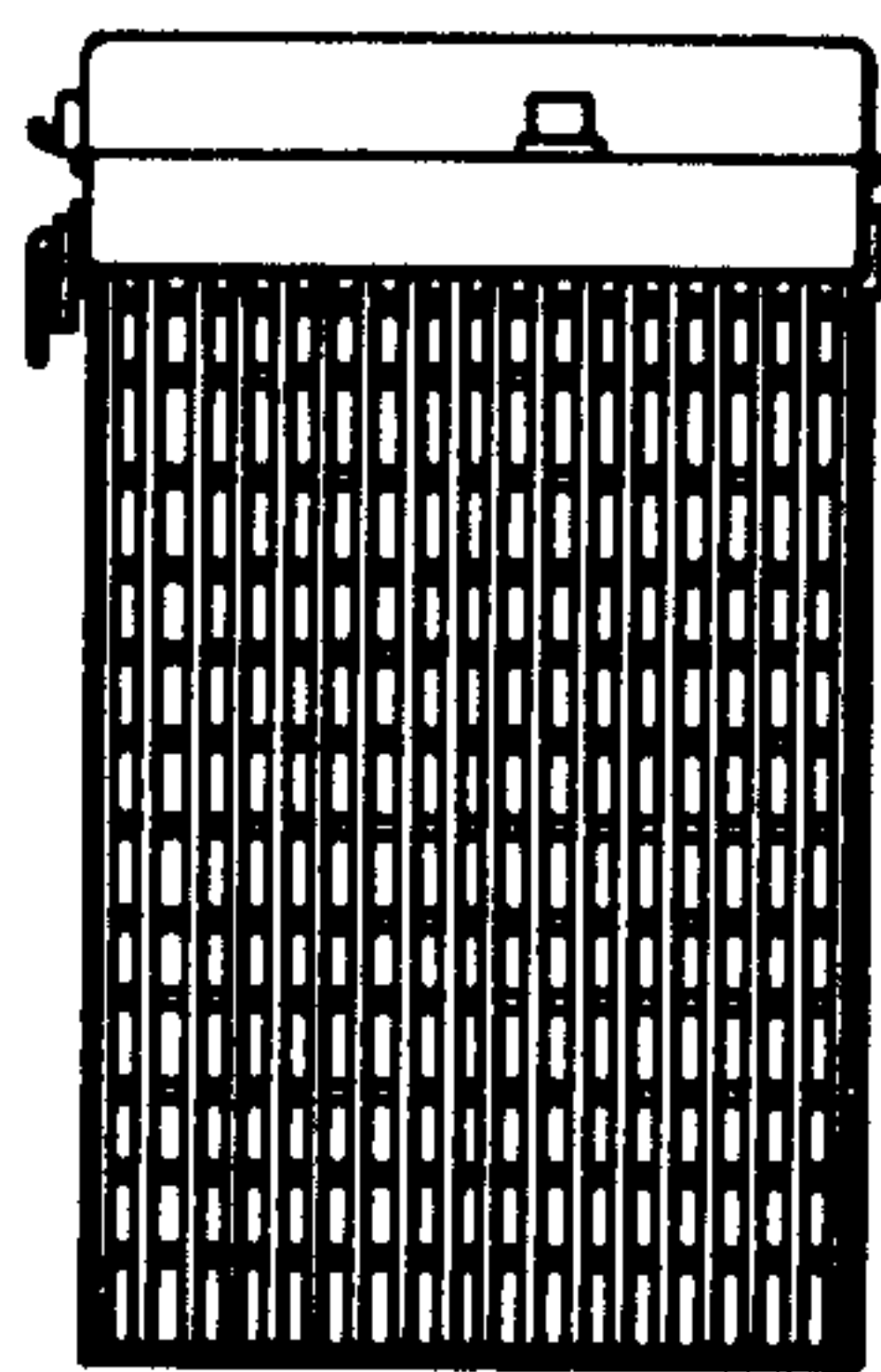


FIG. 3





*FIG. 4*