

[54] FRONT END UNIT FOR A TRACTOR

[75] Inventors: Robert A. Skyer, Palatine; George E. Bowman, Country Club Hills, both of Ill.

[73] Assignee: International Harvester Company, Chicago, Ill.

[\*\*] Term: 14 Years

[21] Appl. No.: 49,262

[22] Filed: Jun. 18, 1979

Related U.S. Application Data

[63] Continuation-in-part of Ser. No. 5,051, Jan. 22, 1979.

[51] Int. Cl. .... D15-03

[52] U.S. Cl. .... D15/31

[58] Field of Search ..... D15/23, 31; 180/183; 296/194

[56] References Cited

PUBLICATIONS

Implement & Tractor, 6/7/73, p. 29, Tractor Hood, top of page.

Agricultural Machinery Journal, 6/78, p. 37, Fendt Tractor Hood, bottom left side of page.

Primary Examiner—James M. Gandy  
Attorney, Agent, or Firm—F. David AuBuchon

[57] CLAIM

The ornamental design for a front end unit for a tractor, substantially as shown and described.

DESCRIPTION

FIG. 1 is a perspective view as seen from the right front of the front end unit for a tractor embodying our new design;

FIG. 2 is a right side elevational view thereof;

FIG. 3 is a top plan view thereof; and

FIG. 4 is a front elevational view thereof.

The left side of the front end unit is substantially a mirror image of the right side shown in FIG. 2. The broken lines in the drawing is for illustrative purposes only and form no part of the claimed design.

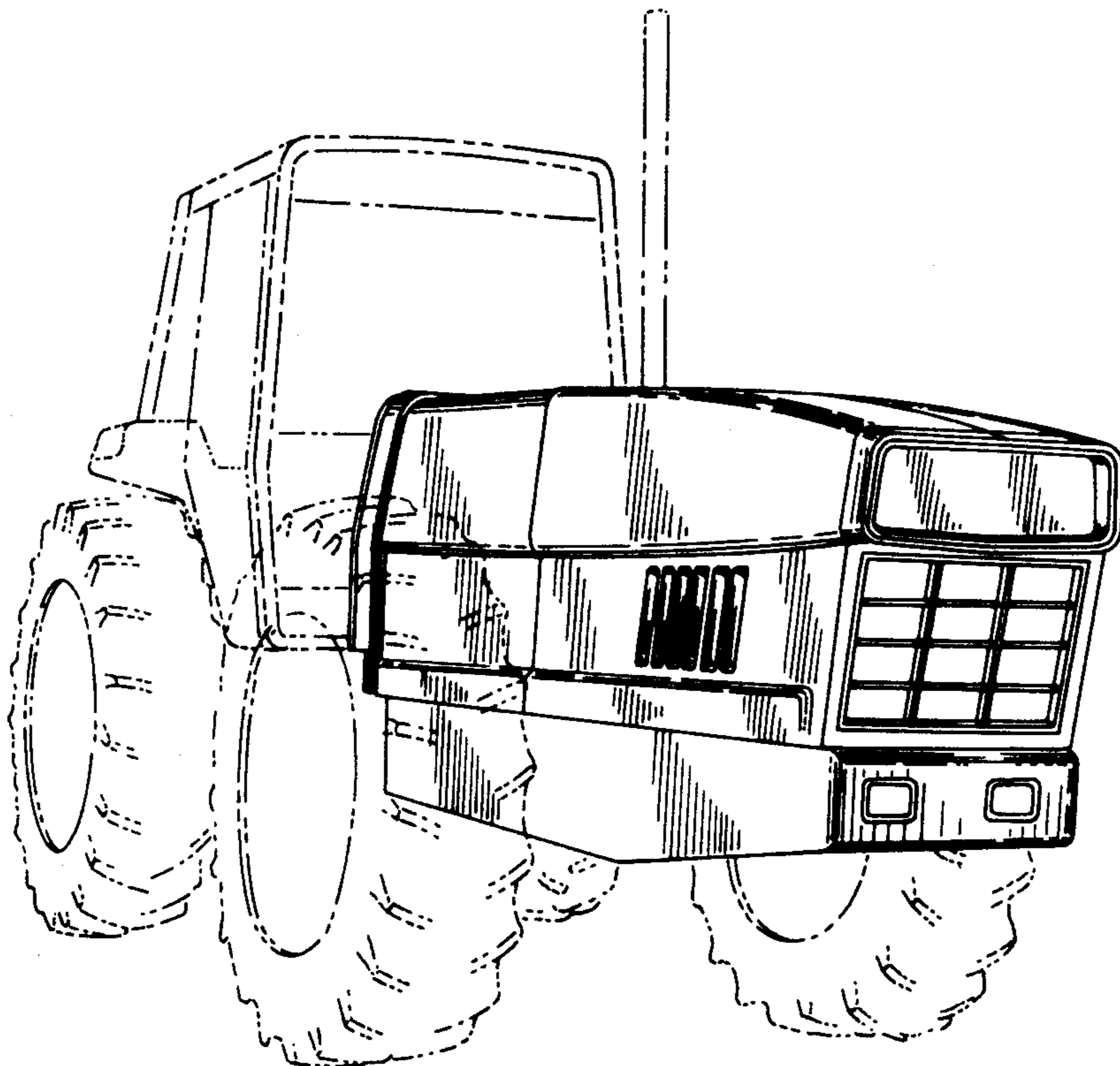


FIG-4-

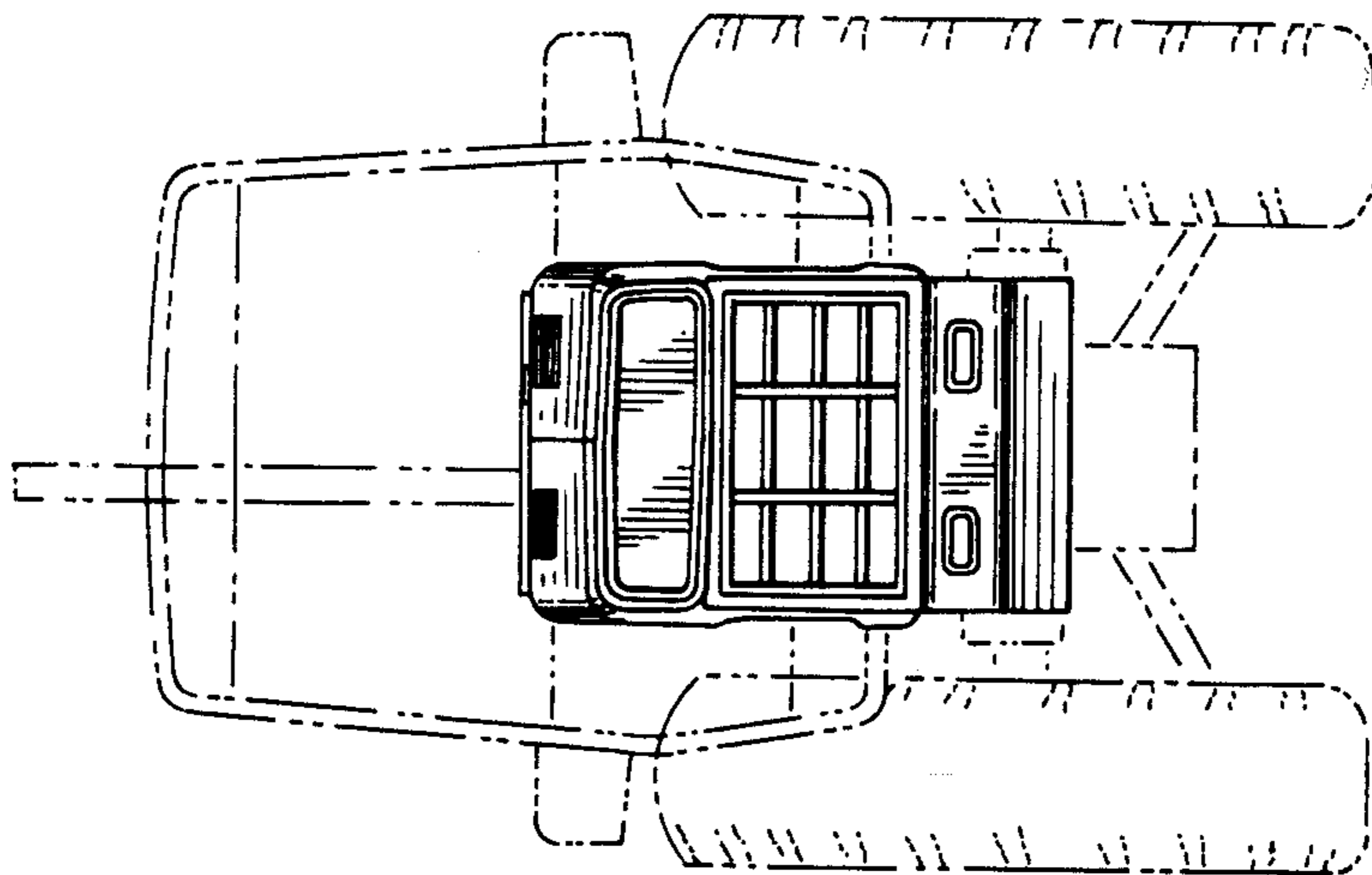


FIG-1-

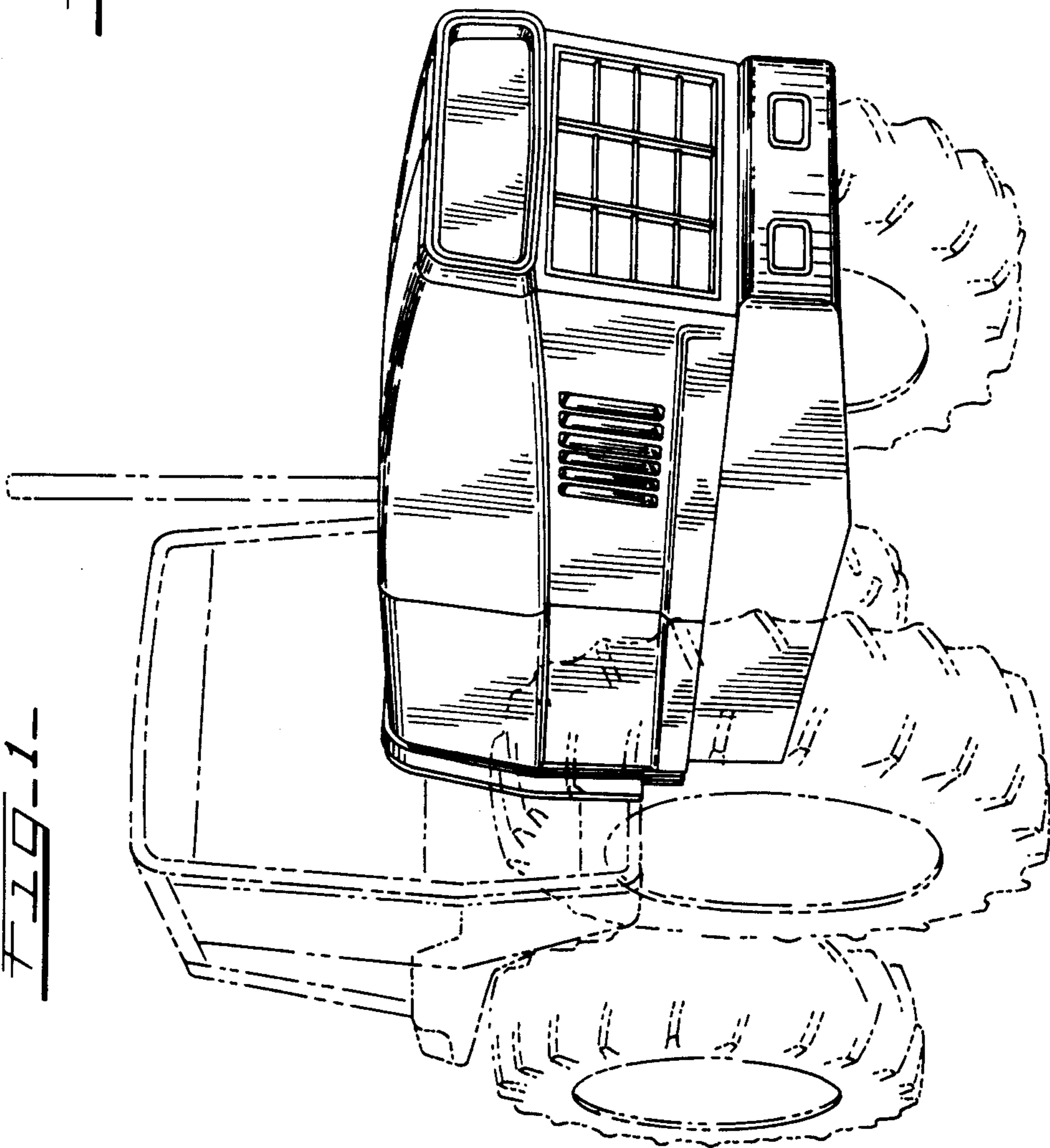


FIG-2-

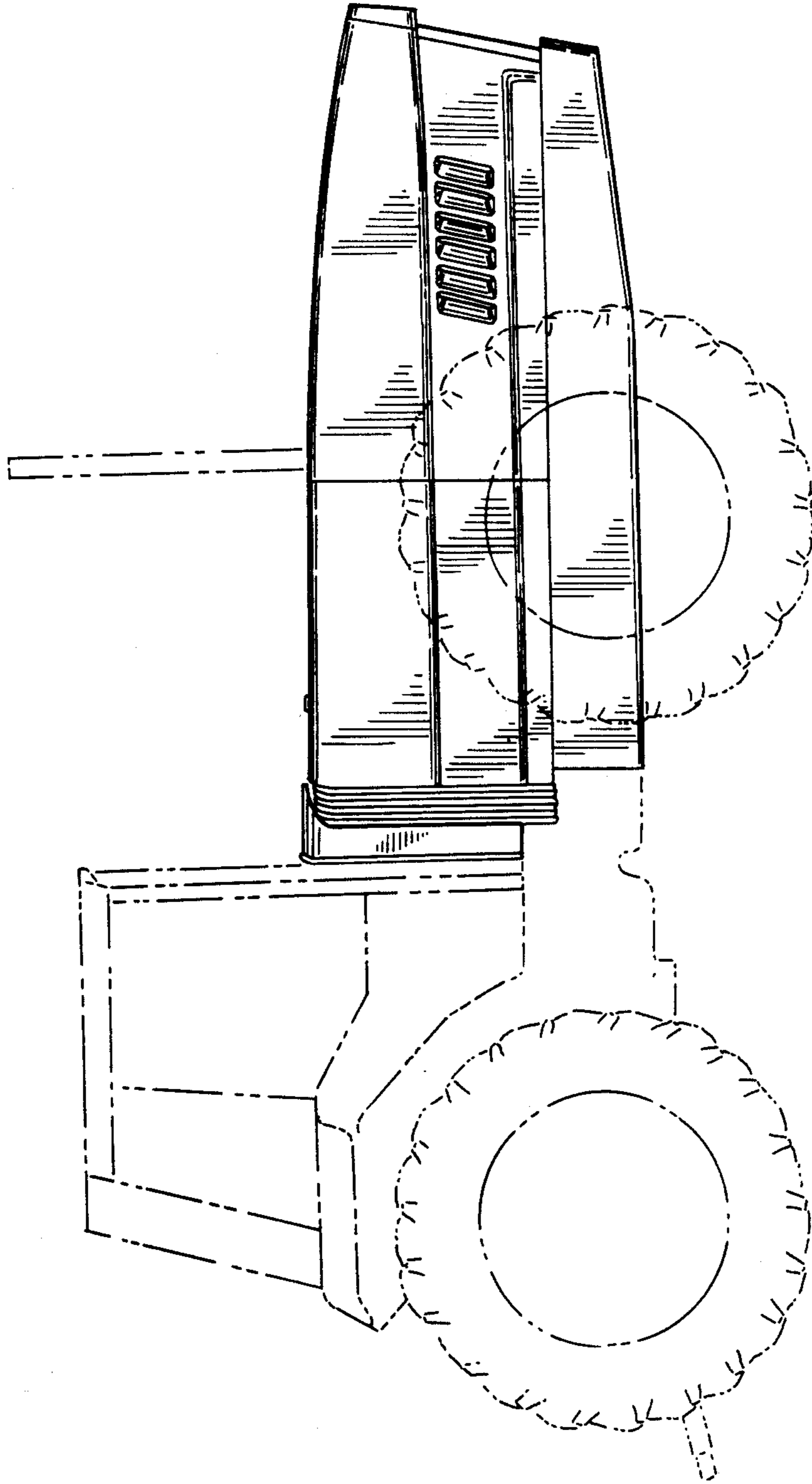


FIG-3-

