

[54] POWER CHAIN SAW ENGINE ASSEMBLY

[75] Inventors: Lloyd H. Tuggle; Michael Baker, both of Shreveport, La.

[73] Assignee: Beaird-Poulan Division of Emerson Electric Co., Shreveport, La.

[**] Term: 14 Years

[21] Appl. No.: 833,399

[22] Filed: Sep. 14, 1977

[51] Int. Cl. D15-01; D8-03

[52] U.S. Cl. D15/1; D8/65

[58] Field of Search D8/64, 65; 30/381, 383; D15/1

[56] References Cited

U.S. PATENT DOCUMENTS

D. 238,103 12/1975 Tuggle D8/65
3,698,455 10/1972 Frederickson 30/381

OTHER PUBLICATIONS

McCulloch Consumer Products Brochure, front page, Model Power Mac 6 Automatic.
Skilsaw Chain Saws Brochure, p. 3, Gasoline Powered Chain Saw.

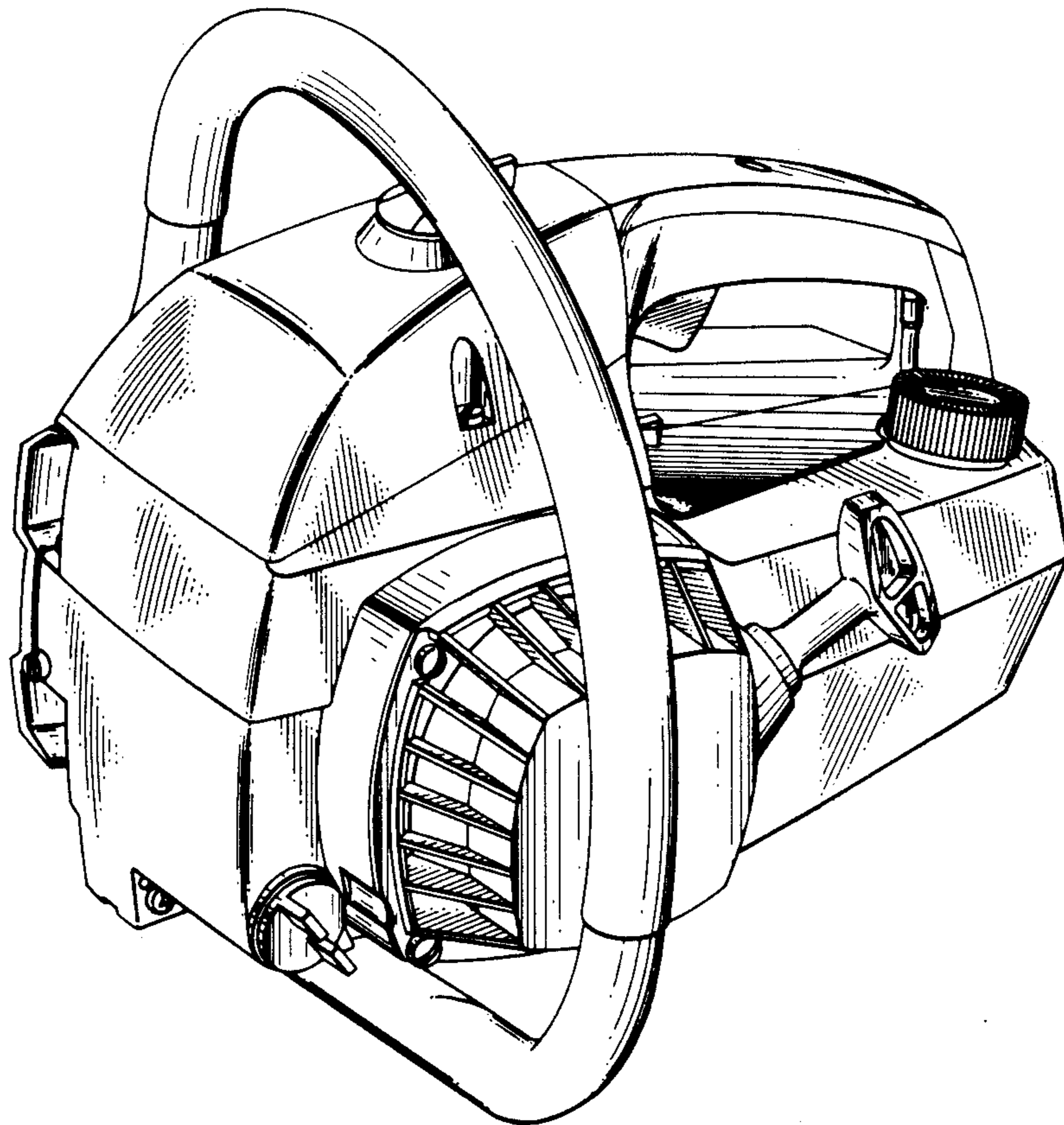
Primary Examiner—Wallace R. Burke
Assistant Examiner—B. J. Bullock
Attorney, Agent, or Firm—E. Mickey Hubbard

[57] CLAIM

The ornamental design for a power chain saw engine assembly, as shown and described.

DESCRIPTION

FIG. 1 is a rear enlarged perspective view of a power chain saw engine assembly showing our new design; FIG. 2 is a front enlarged perspective view thereof; FIG. 3 is a side elevational view taken from the right of FIG. 1; FIG. 4 is a front elevational view thereof; FIG. 5 is a side elevational view taken from the left of FIG. 1; FIG. 6 is a rear elevational view thereof; FIG. 7 is a top plan view thereof; and, FIG. 8 is a bottom plan view thereof.



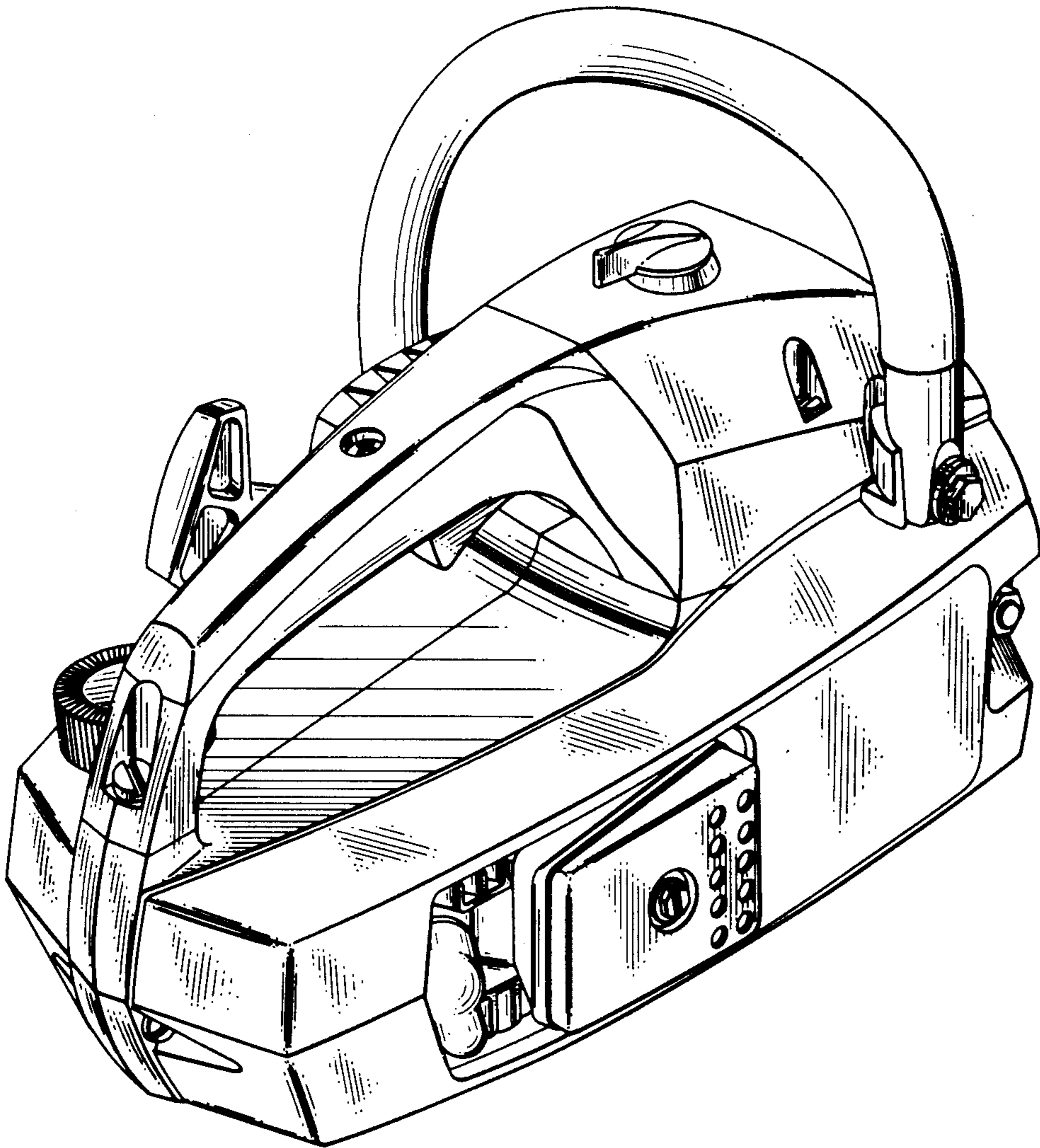


FIG. 1

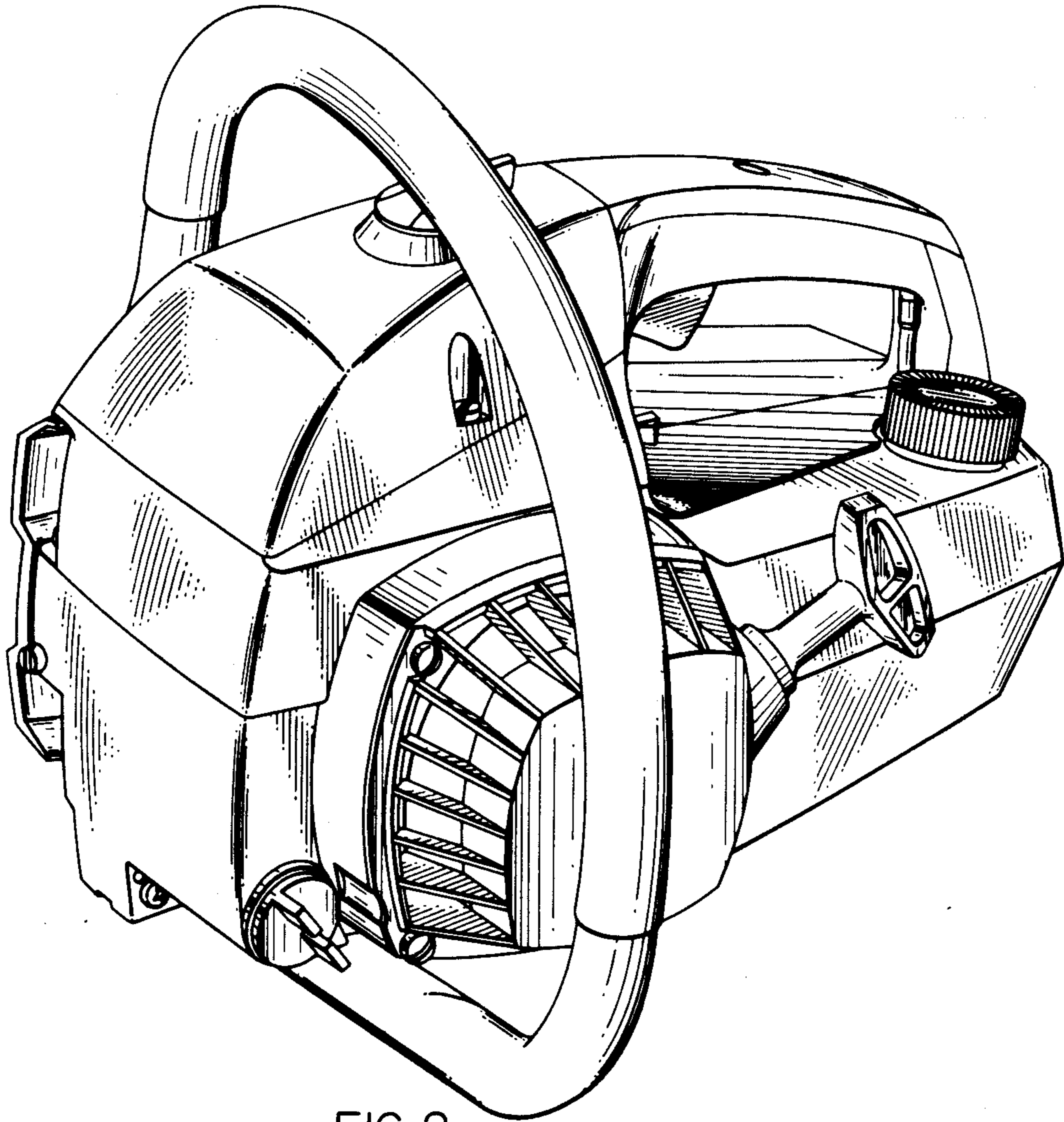


FIG. 2

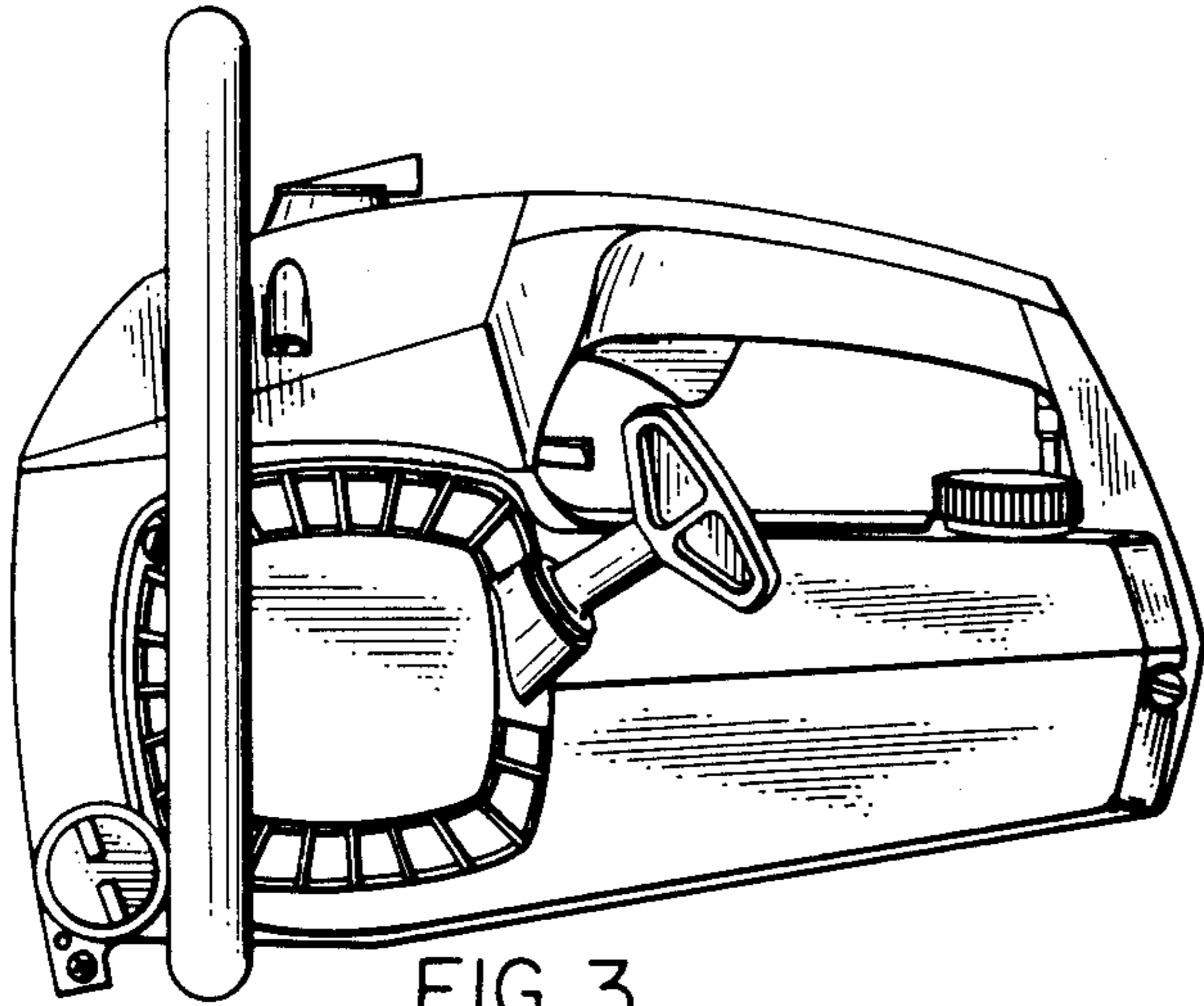


FIG. 3

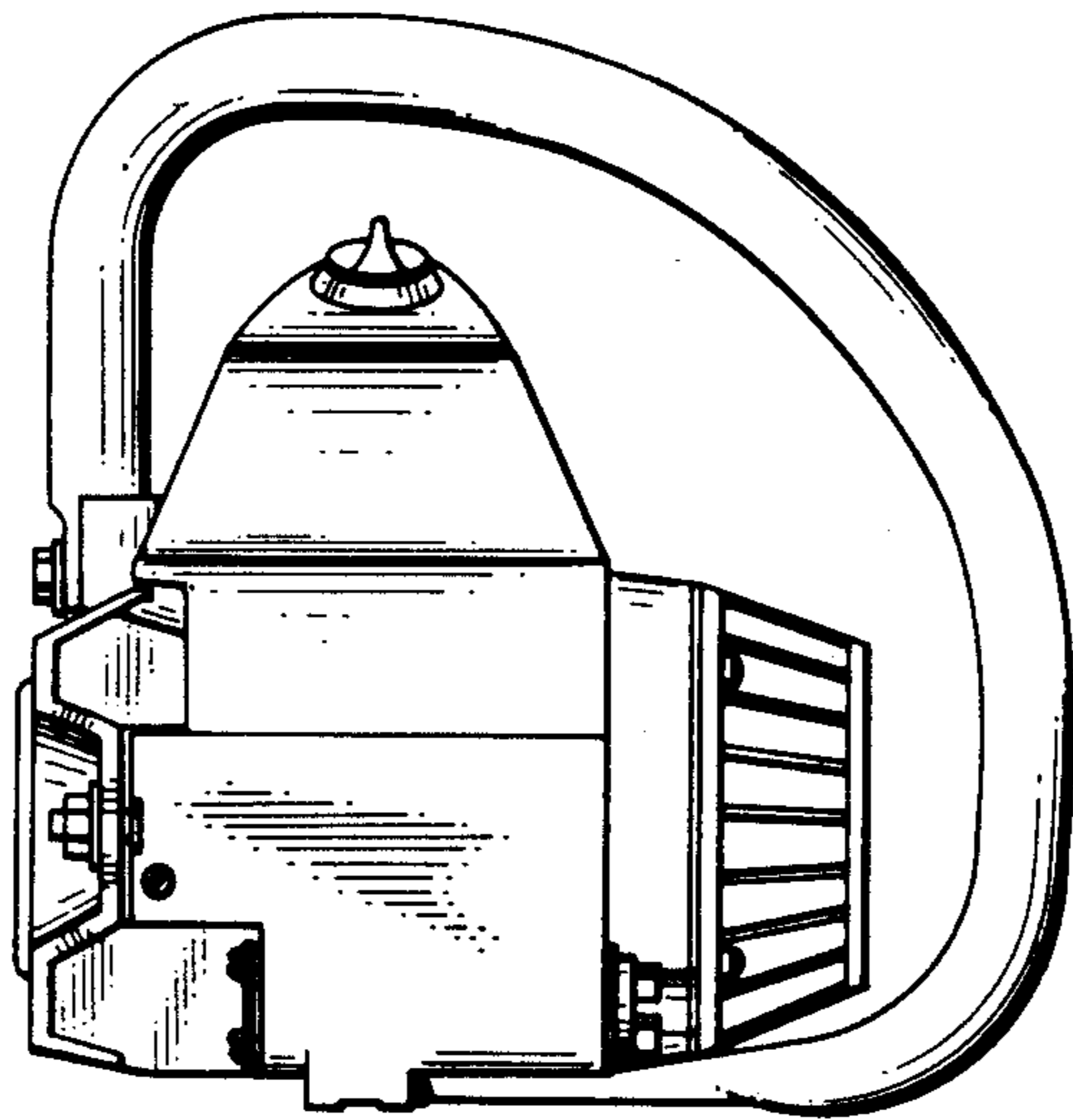


FIG. 4

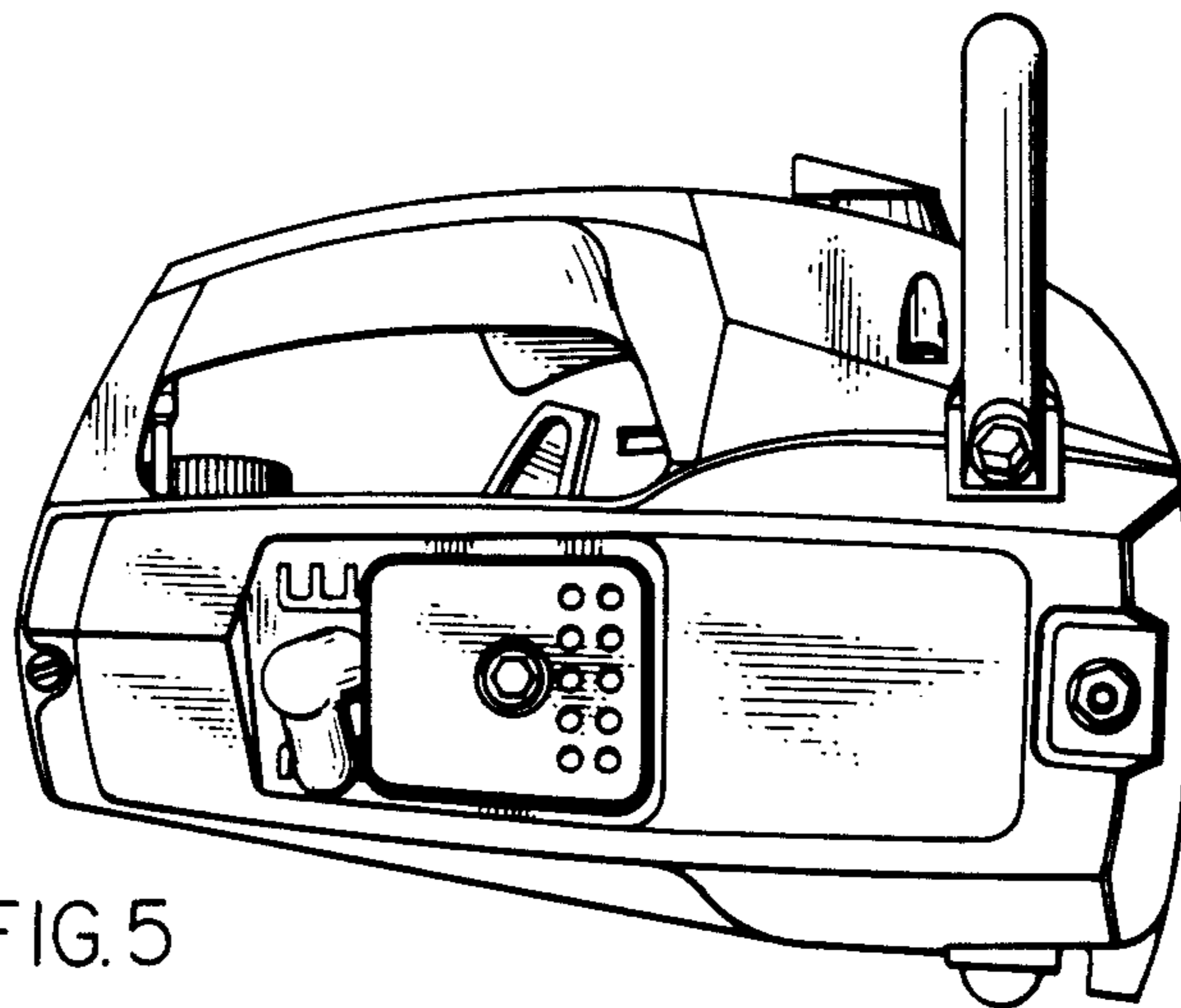


FIG. 5

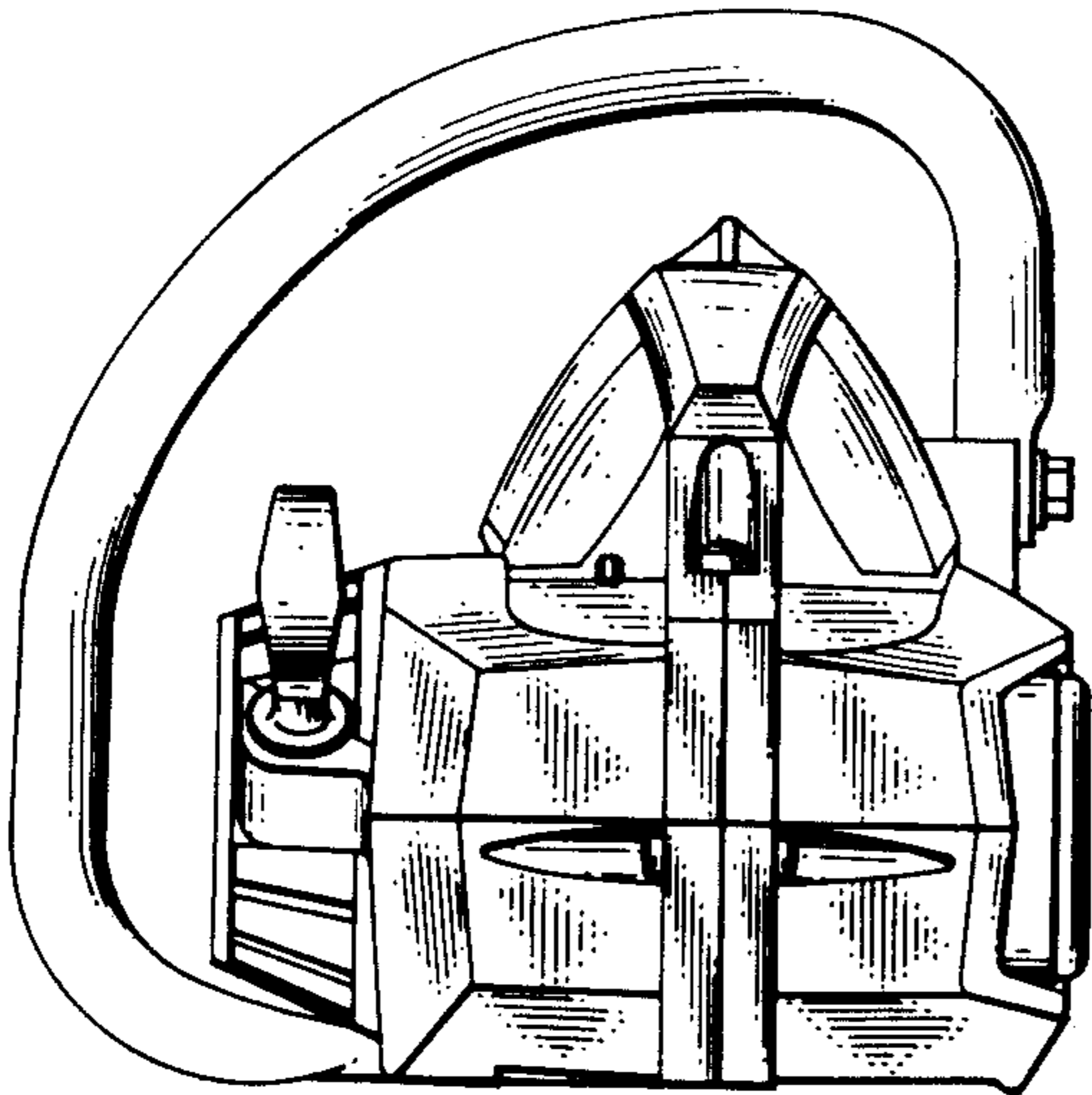


FIG. 6

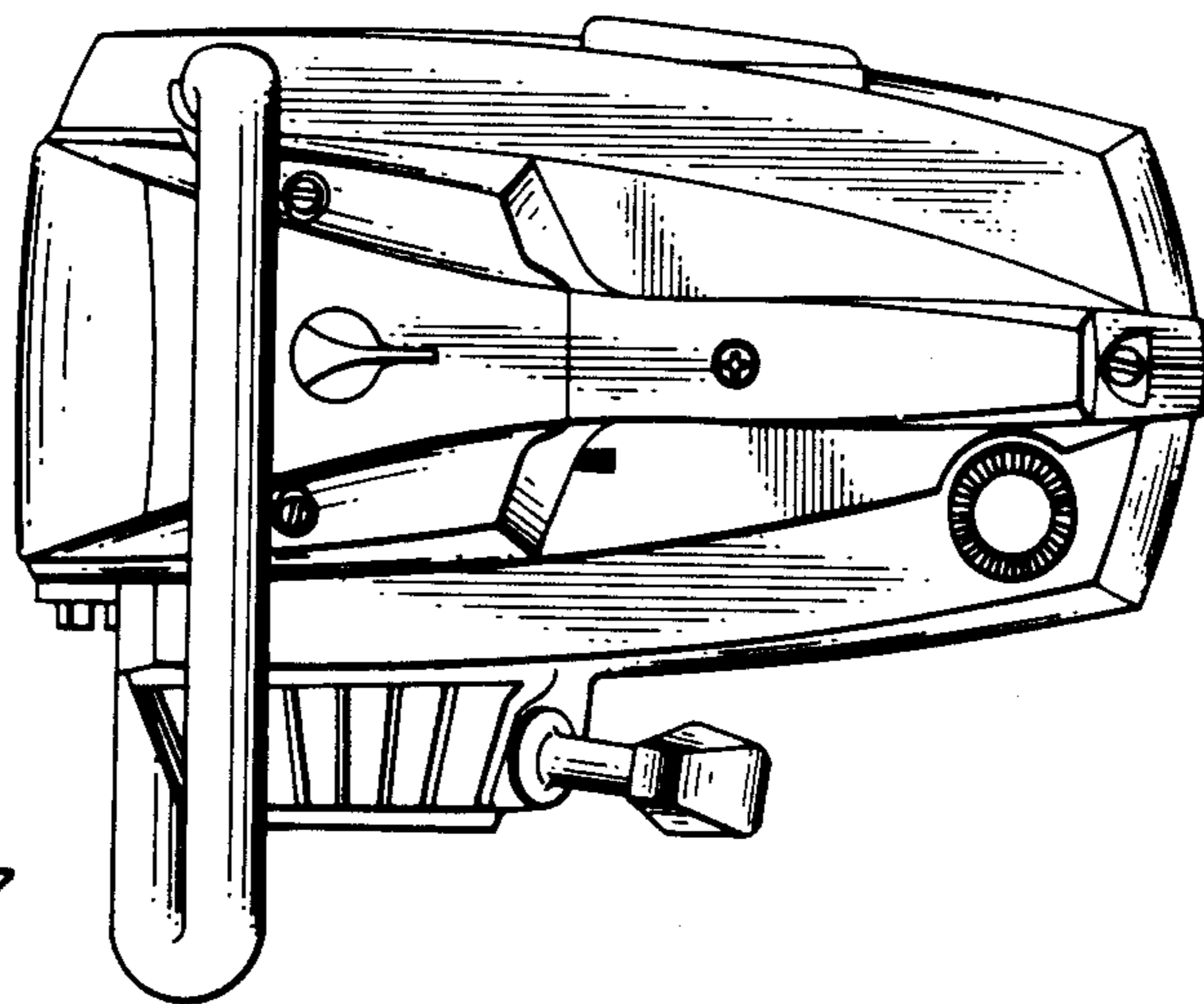


FIG. 7

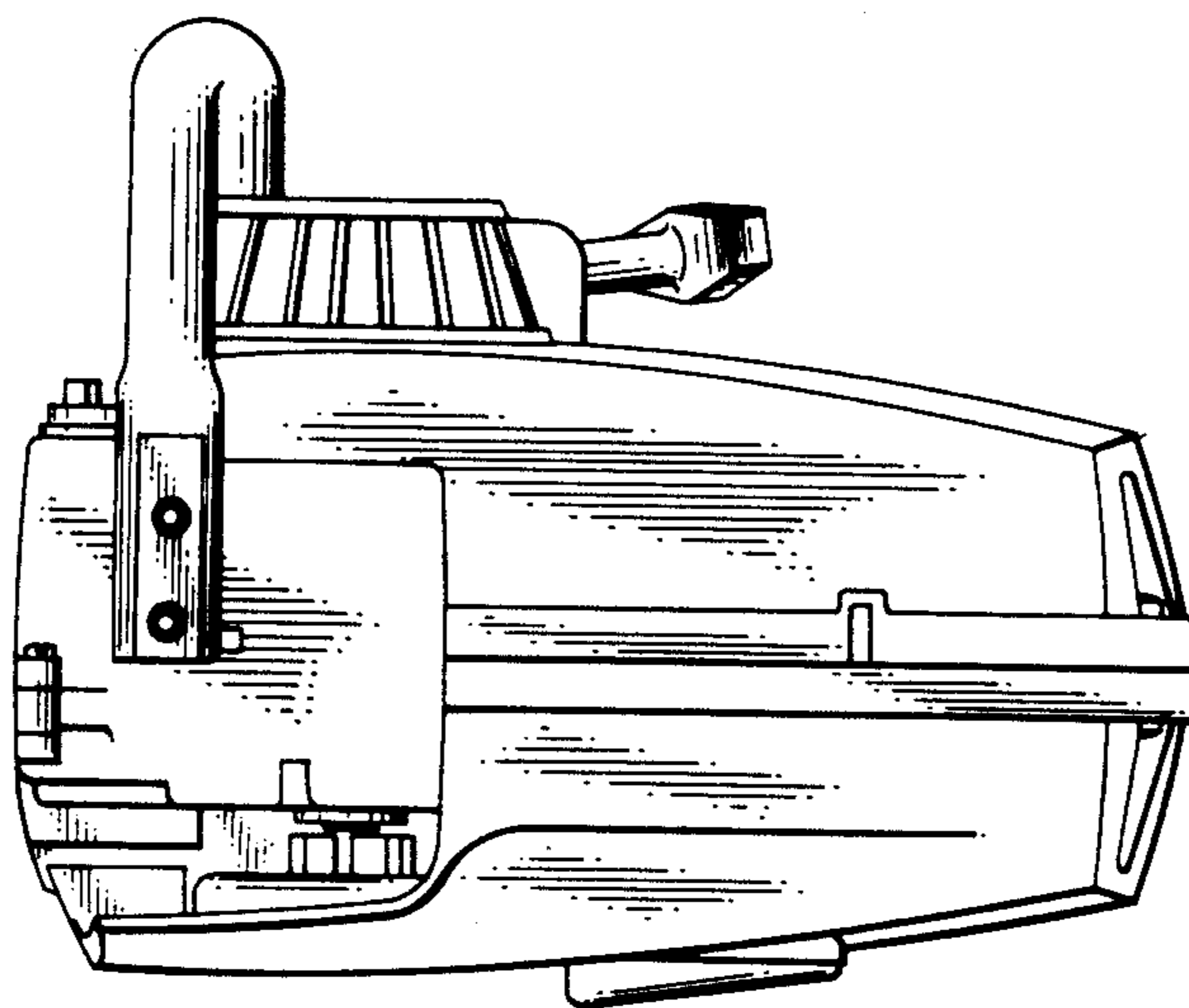


FIG. 8