

[54] COMBINATION CASSETTE TAPE PLAYER,
RADIO RECEIVER AND TELEPHONE SET

[76] Inventor: **Tommie L. Owens**, c/o Mrs. Joyce F.
Rathburn 1220 Fair Oaks Dr., Irving,
Tex. 75060

[**] Term: **14 Years**

[21] Appl. No.: **889,603**

[22] Filed: **Mar. 23, 1978**

[51] Int. Cl. **D14-01**

[52] U.S. Cl. **D14/5; D14/6;
D14/70**

[58] Field of Search **D14/6, 5, 53, 70, 73;
179/178, 179, 100 R; 360/96, 105, 60, 137**

[56] **References Cited**

U.S. PATENT DOCUMENTS

D. 226,920	5/1973	Molyneaux	D14/53 X
D. 244,877	6/1977	McLaughlin	D14/6 X
D. 246,040	10/1977	Hoshino	D14/6 X
D. 250,190	11/1978	Takenaka et al.	D14/6 X
D. 250,759	1/1979	Asai	D14/6

Primary Examiner—Bernard Ansher
Attorney, Agent, or Firm—E. Mickey Hubbard

[57] **CLAIM**

The ornamental design for a combination cassette tape player, radio receiver and telephone set, as shown.

DESCRIPTION

FIG. 1 is a left front perspective view of a combination cassette tape player, radio receiver and telephone set embodying my new design;

FIG. 2 is a right bottom perspective view of the combination of FIG. 1;

FIG. 3 is a right rear perspective view of the combination of FIG. 1;

FIG. 4 is a bottom plan view of the combination of FIG. 1;

FIG. 5 is a front elevation view of the combination of FIG. 1;

FIG. 6 is a top plan view of the combination of FIG. 1;

FIG. 7 is a right side elevation view of the combination of FIG. 1; and

FIG. 8 is a left side elevation view of the combination of FIG. 1.

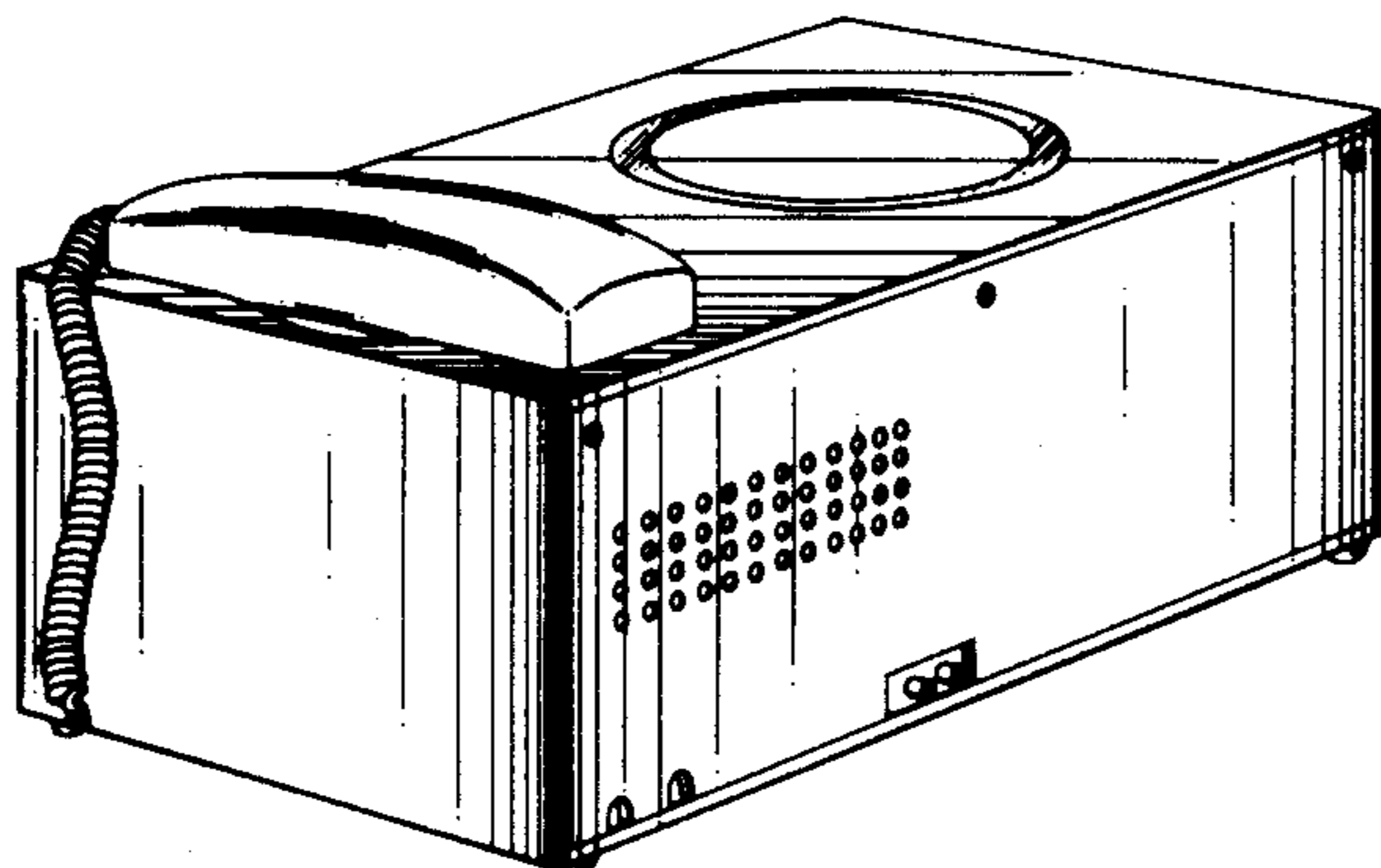
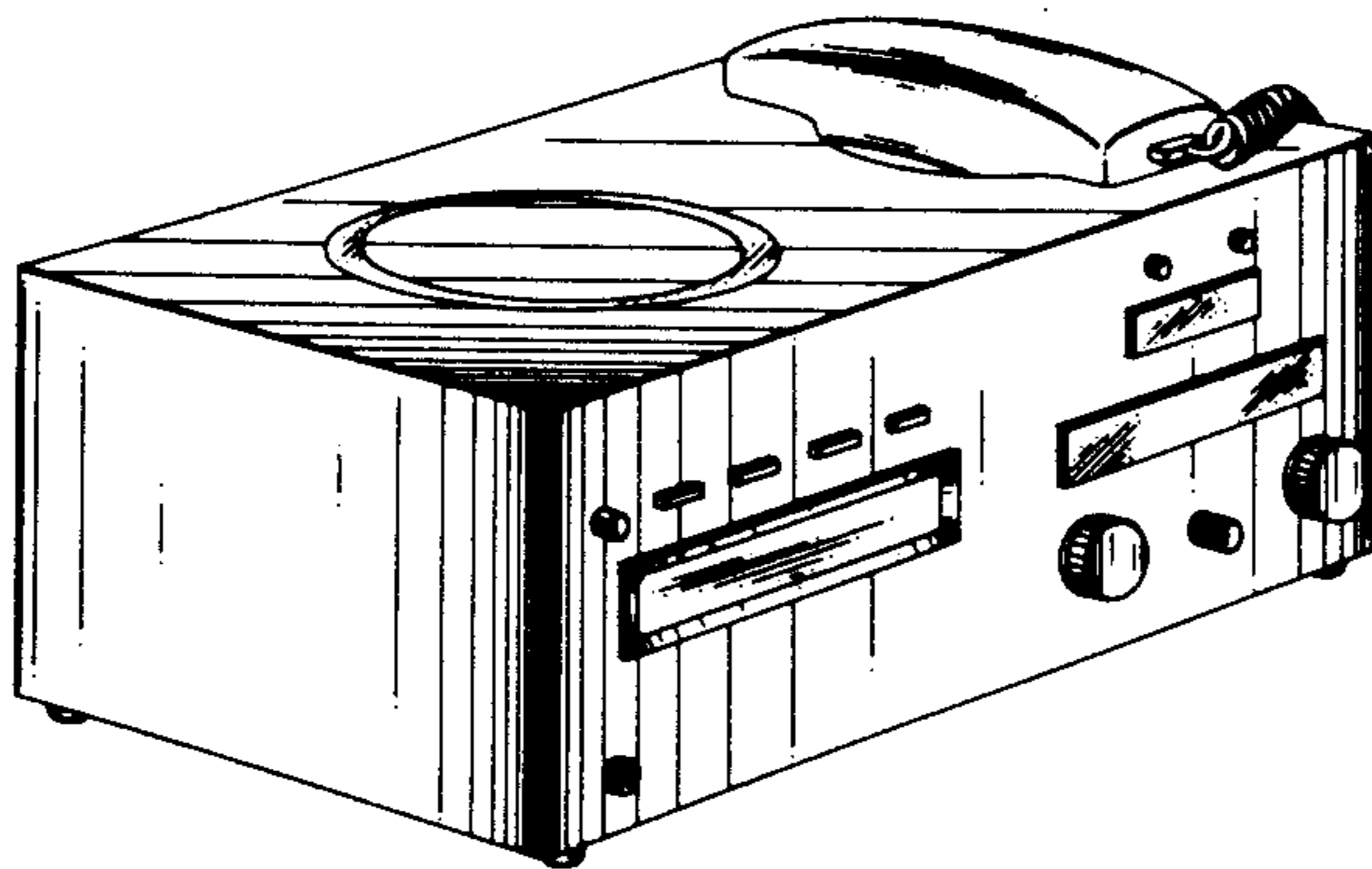


FIG. 1

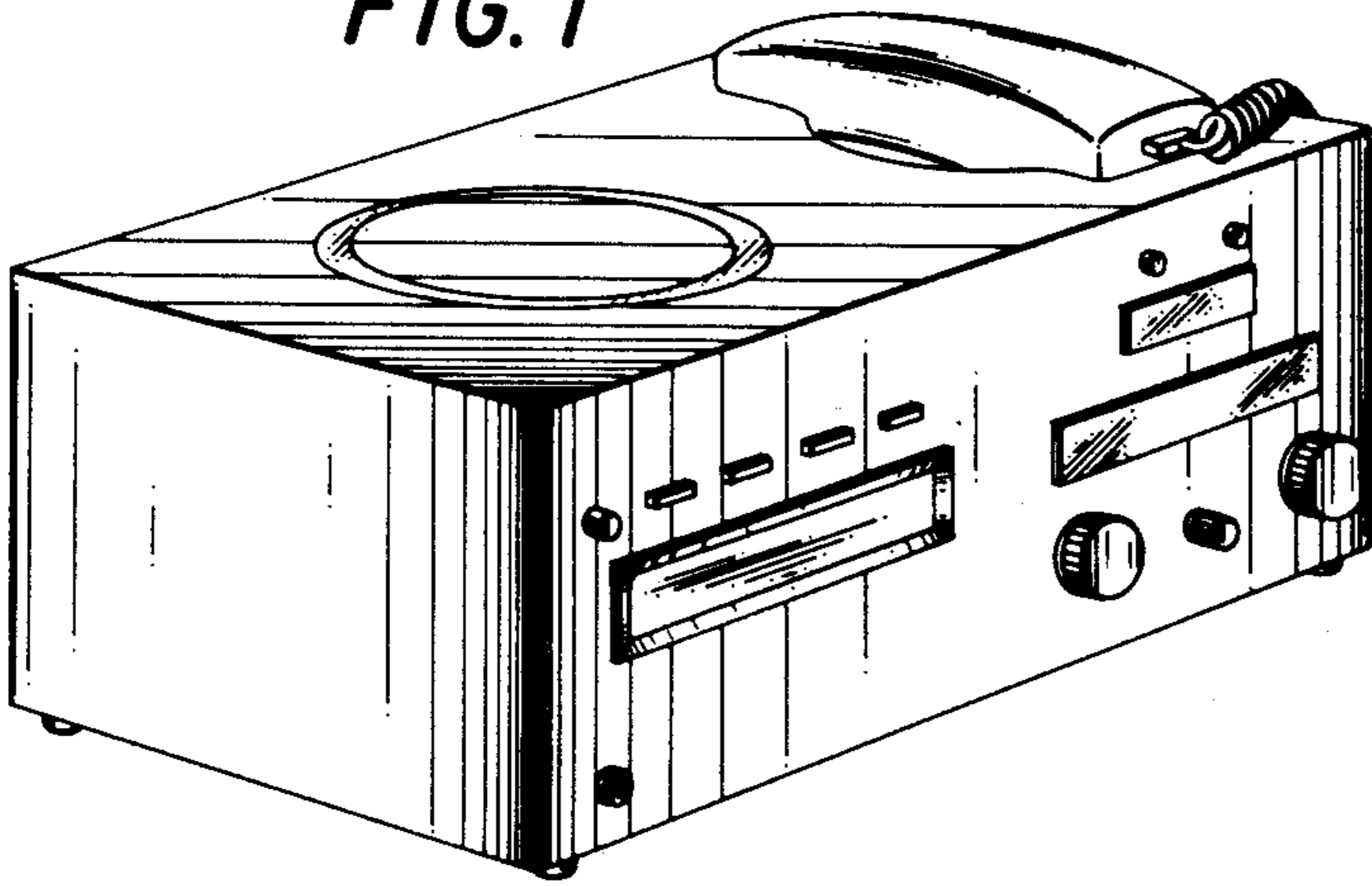


FIG. 2

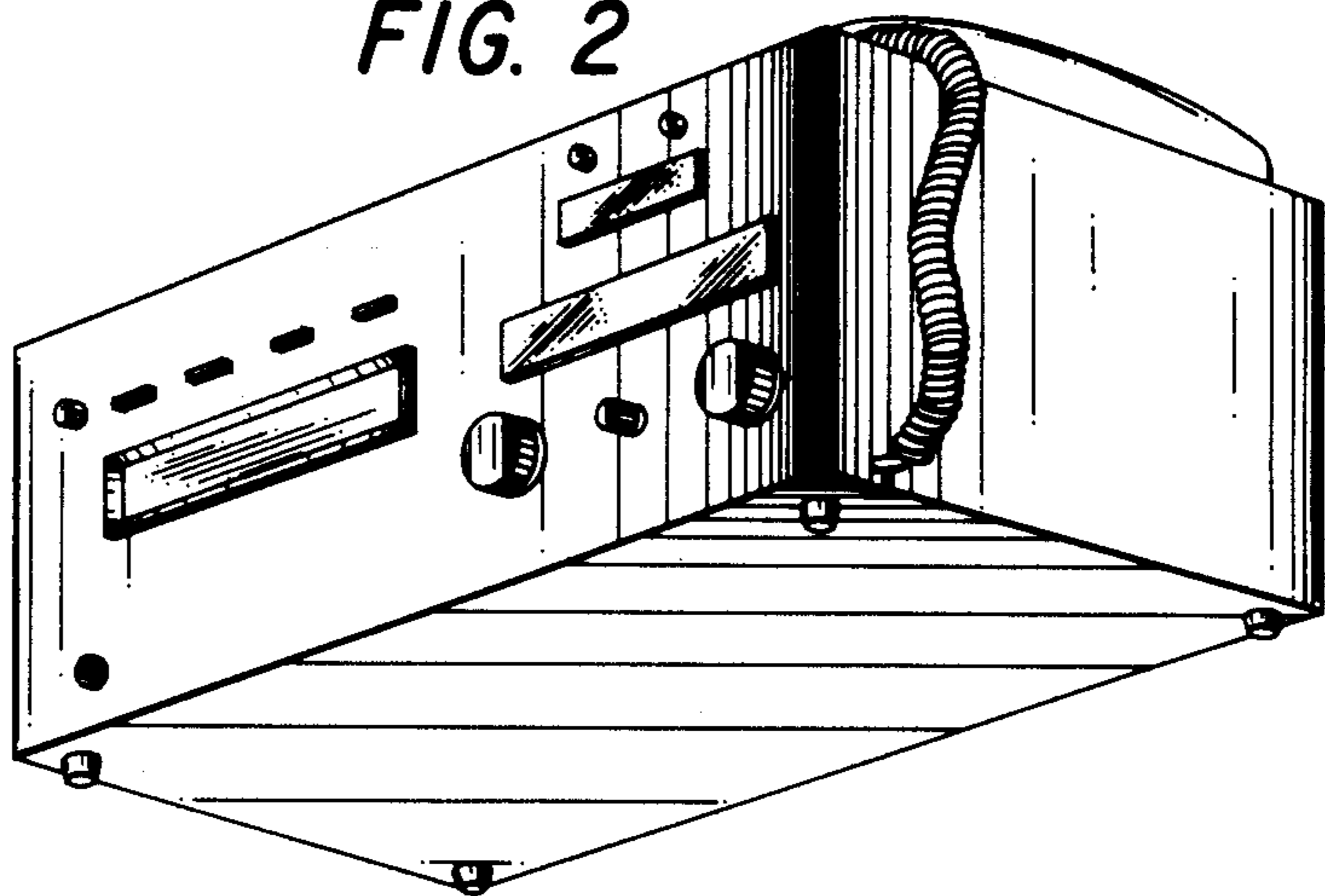


FIG. 3

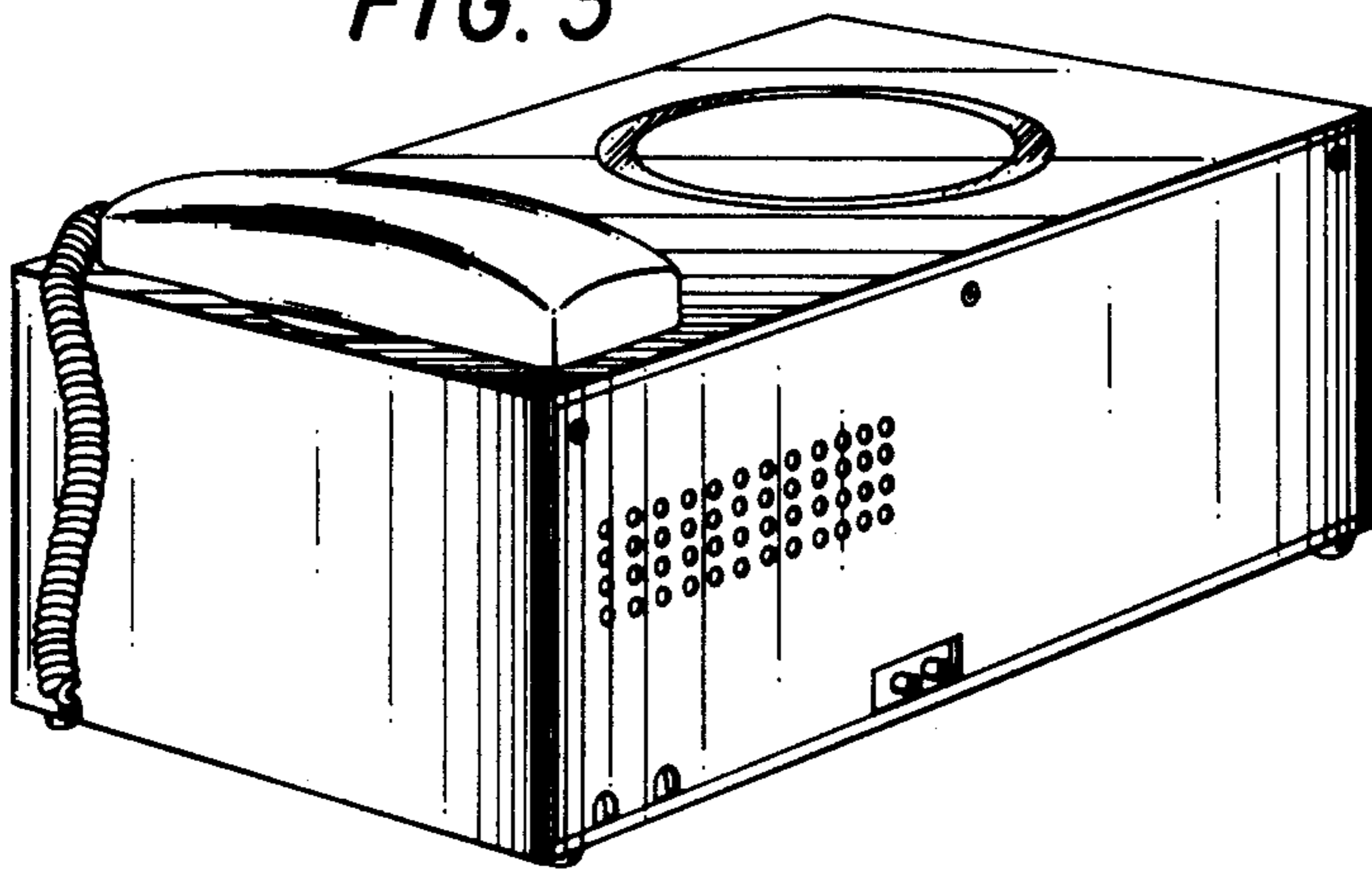


FIG. 4

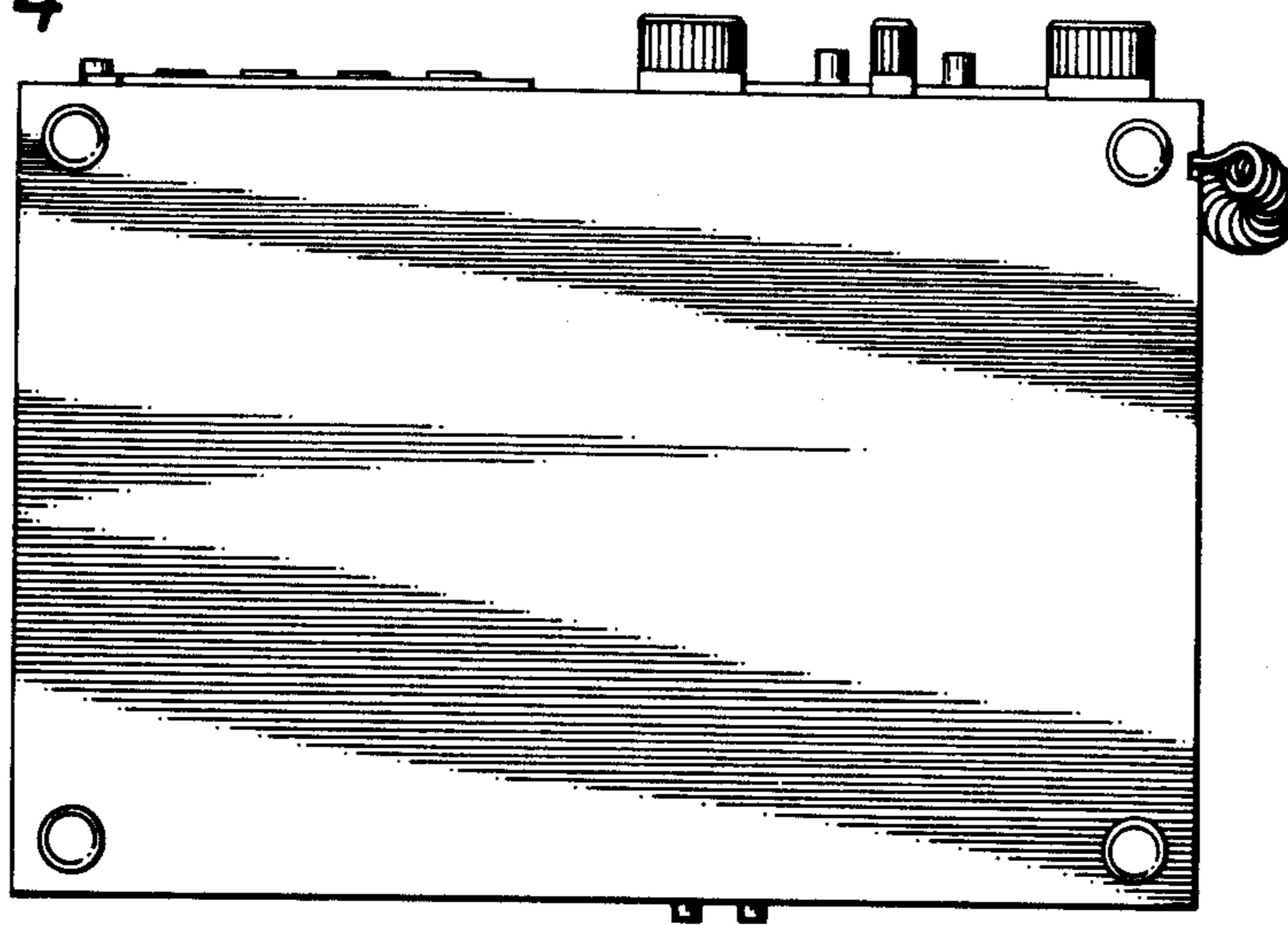


FIG. 5

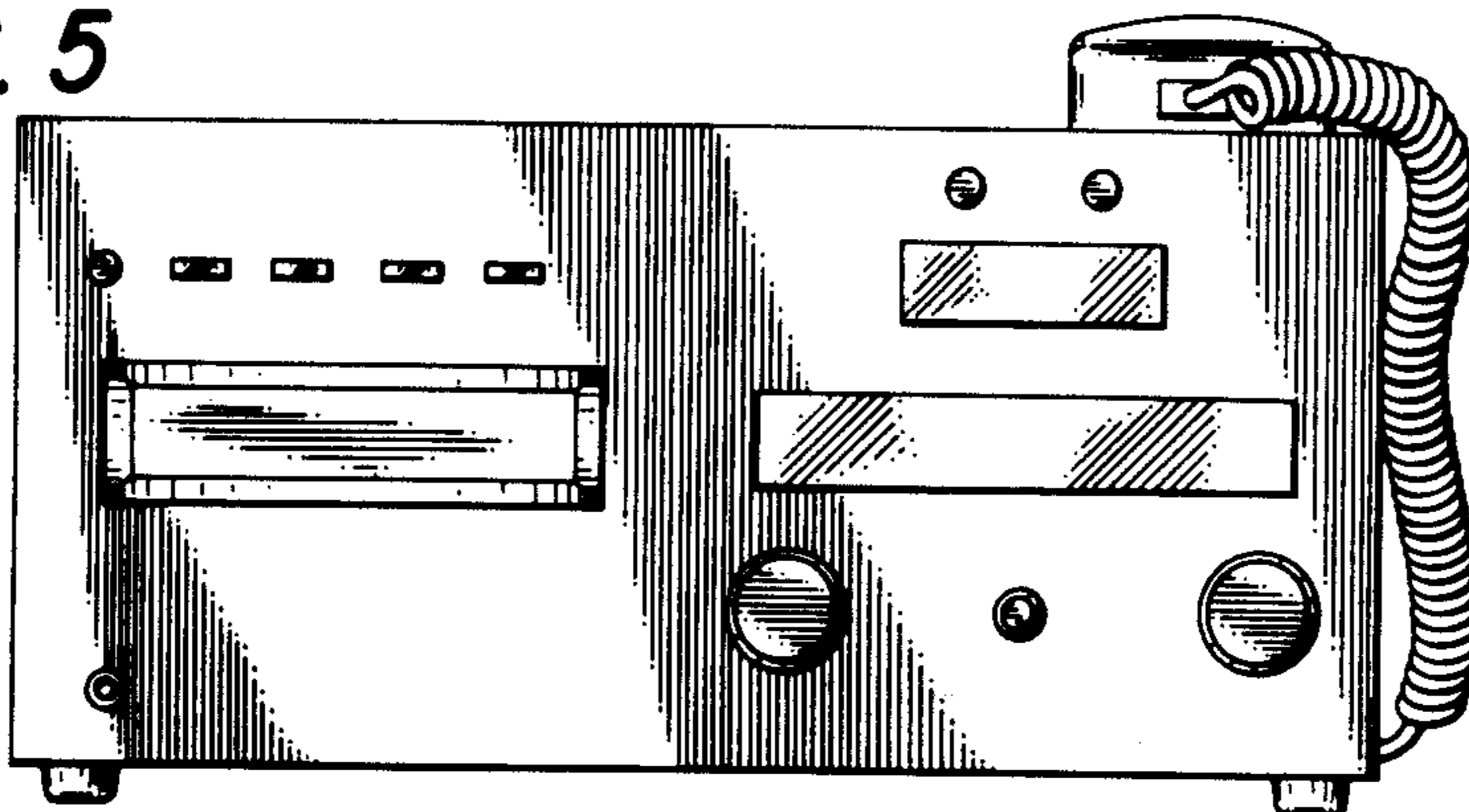


FIG. 6

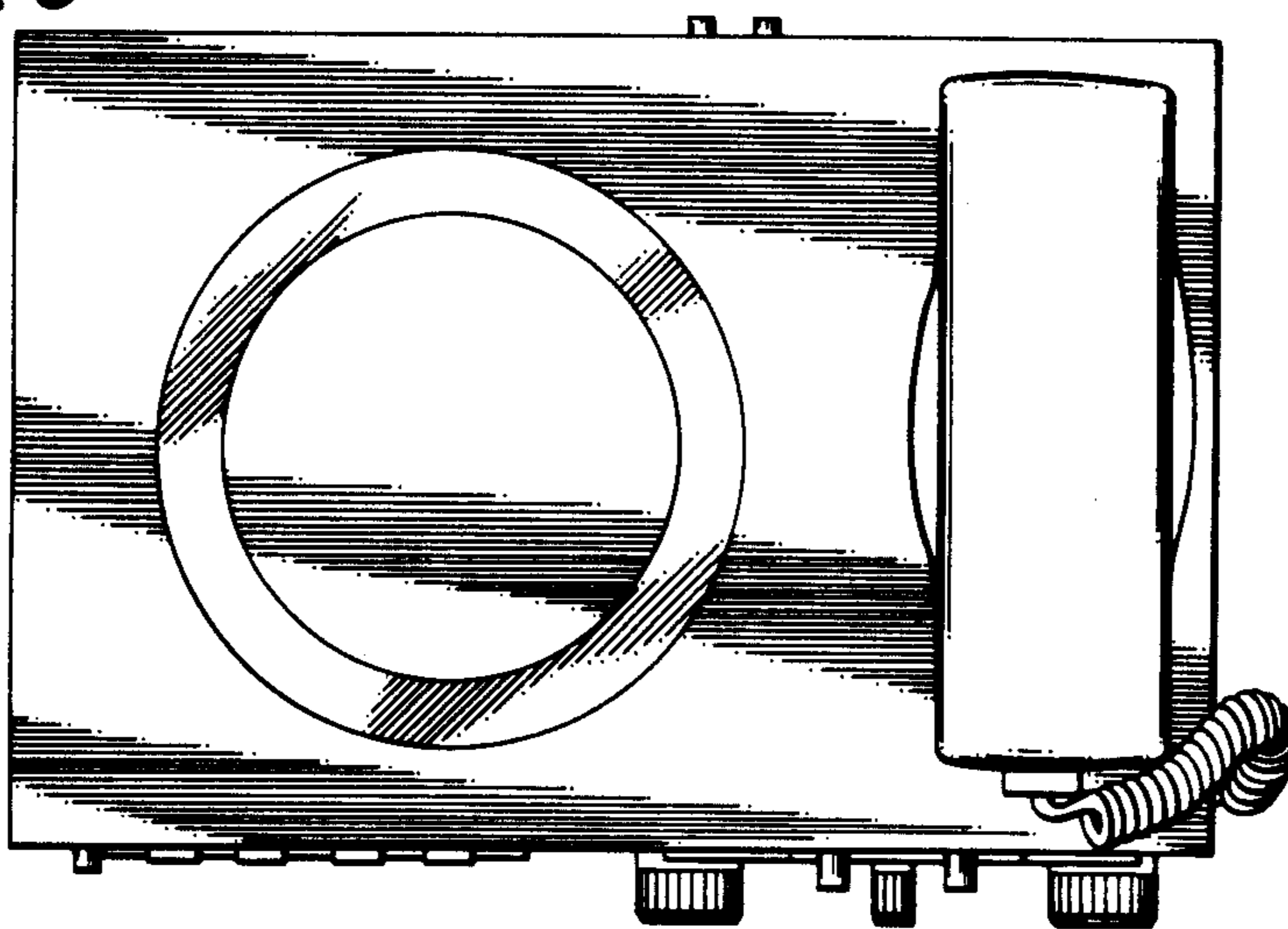


FIG. 7

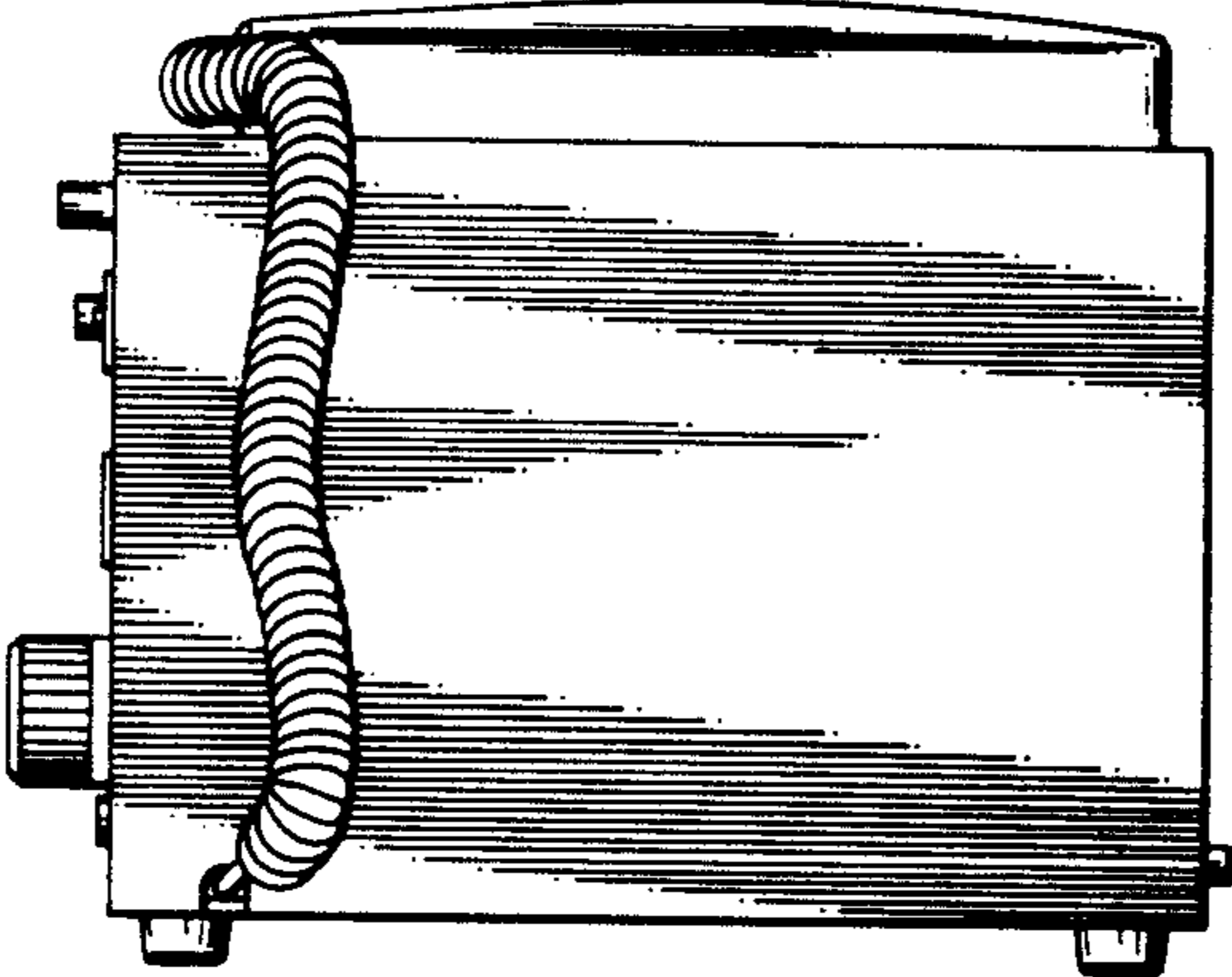


FIG. 8

