

[54] CHANNEL SYSTEM FOR ELECTRIC CONDUCTORS

[75] Inventors: Bengt E. Legerius, Nyköping; Peter L. Maddock, Stockholm, both of Sweden

[73] Assignee: Telefonaktiebolaget L M Ericsson, Stockholm, Sweden

[**] Term: 14 Years

[21] Appl. No.: 774,789

[22] Filed: Mar. 7, 1977

[30] Foreign Application Priority Data

Sep. 8, 1976 [SE] Sweden 7617440

[51] Int. Cl. D13-03

[52] U.S. Cl. D13/13

[58] Field of Search D13/12, 13, 24, 40; 174/50, 53, 58, 59, 60, 68 R, 68 B, 68 C, 72 R, 72 B, 72 C, 95, 99 B

[56] References Cited

U.S. PATENT DOCUMENTS

3,104,276 9/1963 Cataldo et al. 174/68 B X
3,717,736 2/1973 Kershner et al. 174/72 R X

FOREIGN PATENT DOCUMENTS

1565658 3/1969 France 174/68 C

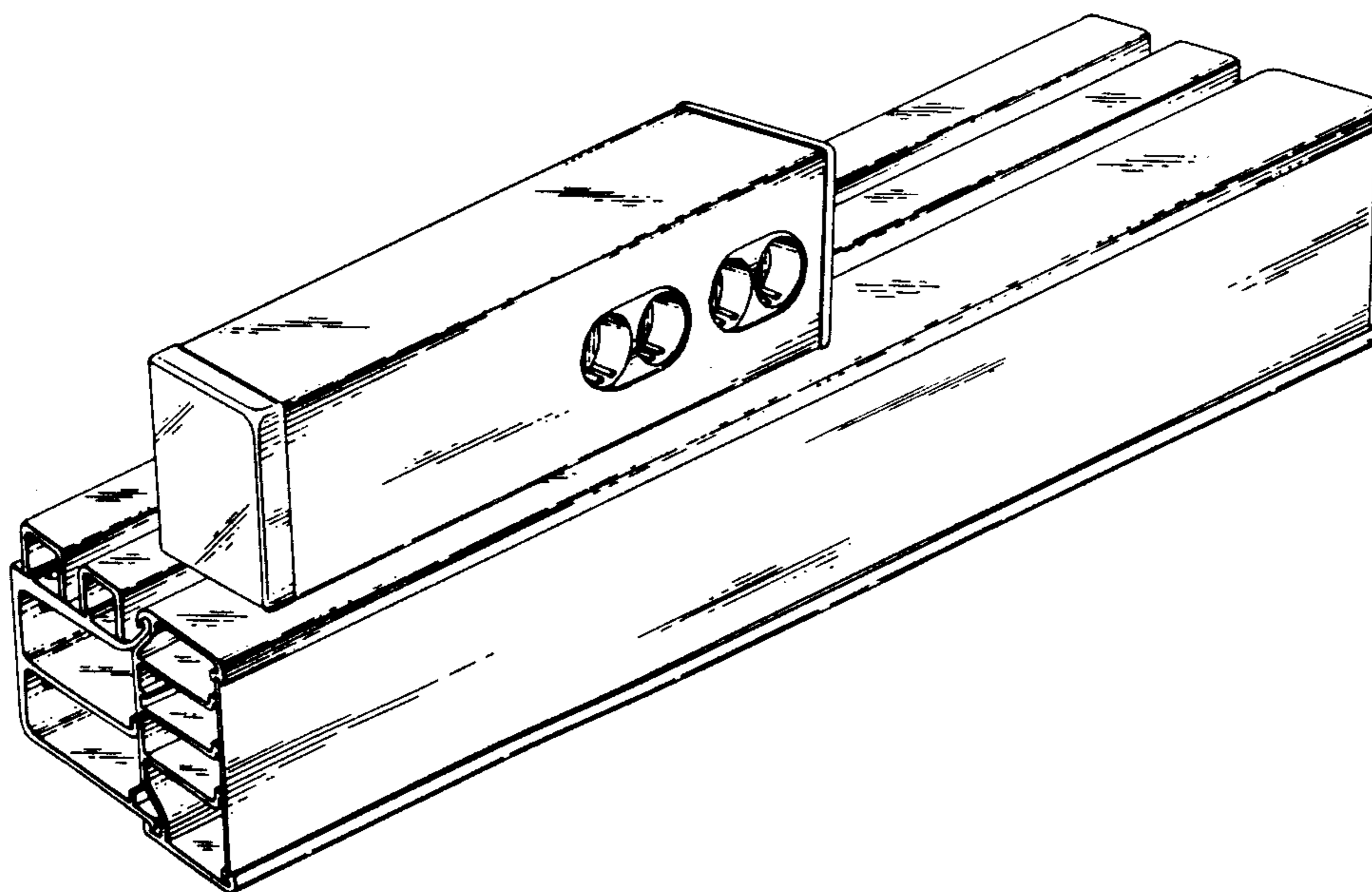
Primary Examiner—Susan J. Lucas

[57] CLAIM

The ornamental design for a channel system for electric conductors, as shown and described.

DESCRIPTION

FIG. 1 is a front perspective view of the channel system for electric conductors showing our new design; FIG. 2 is a rear perspective rear view thereof.



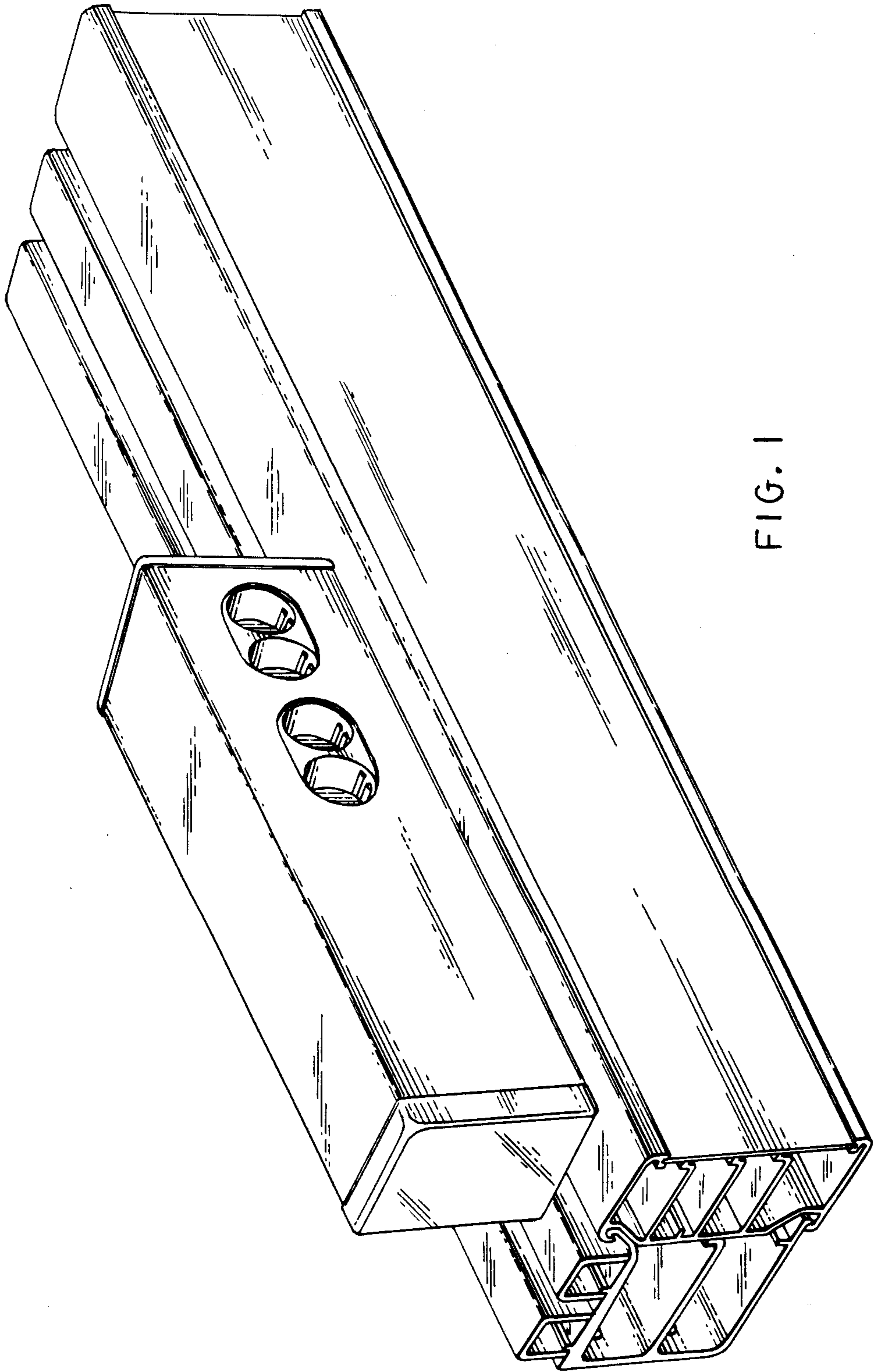


FIG. 1

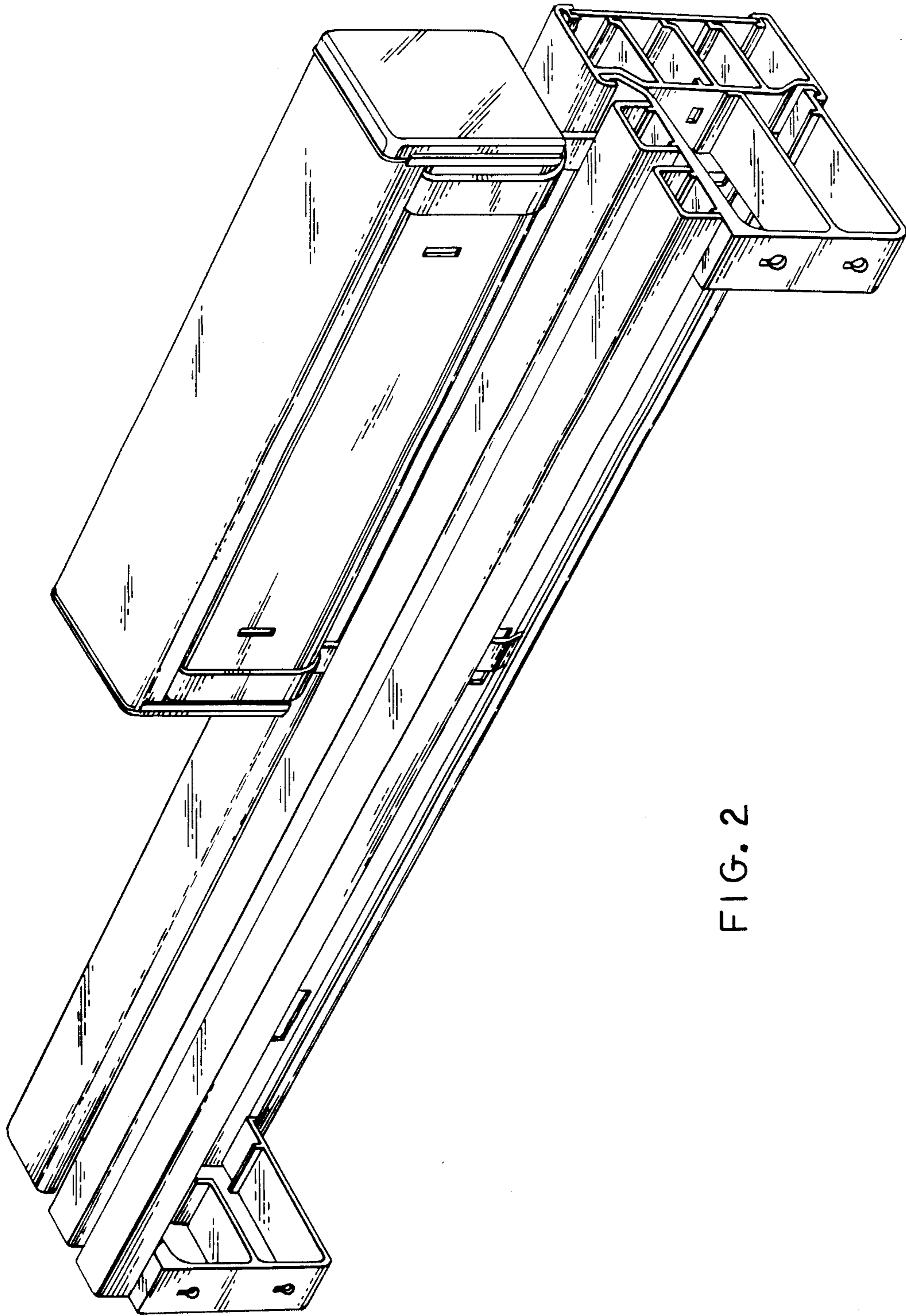


FIG. 2

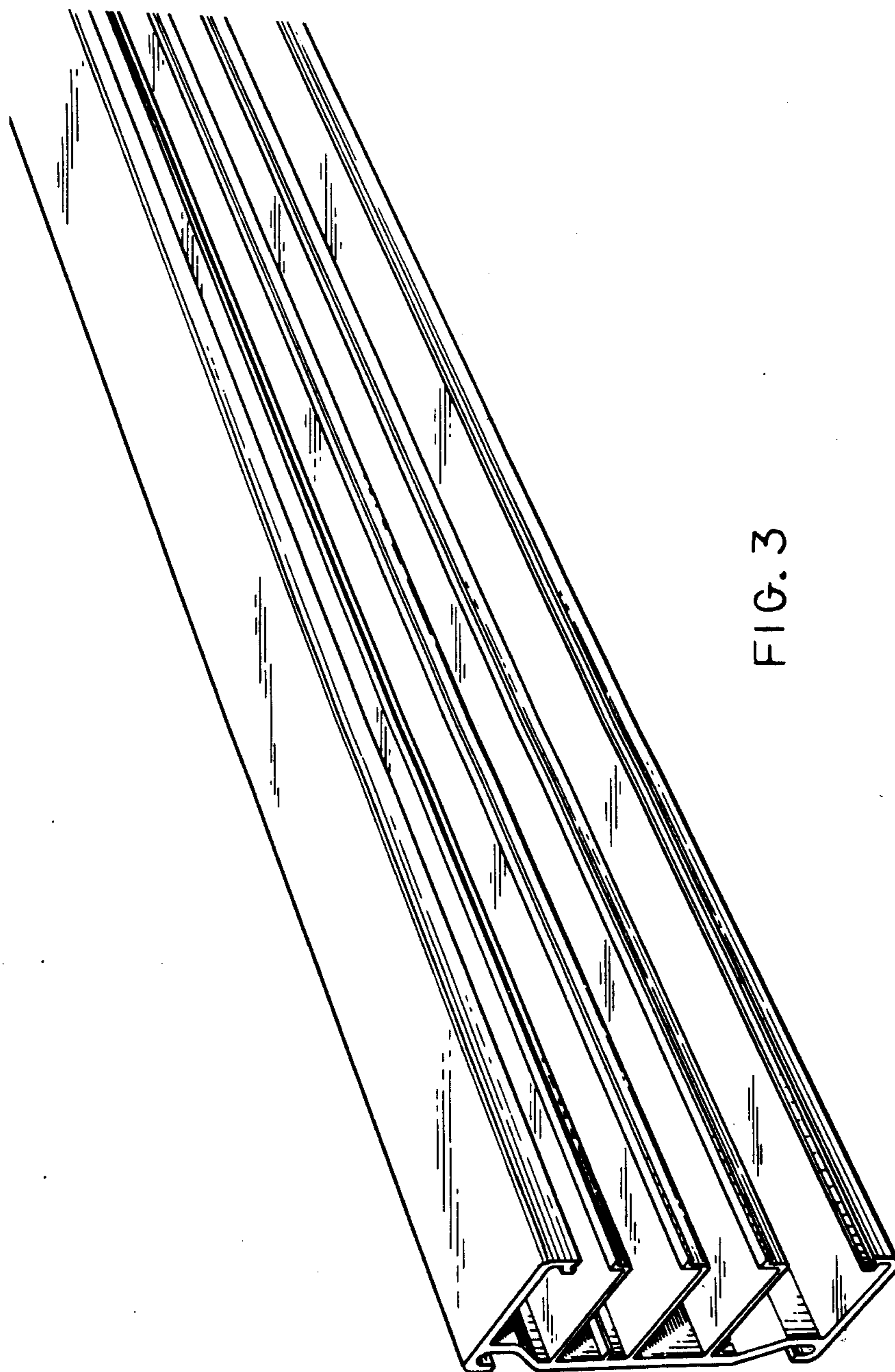


FIG. 3

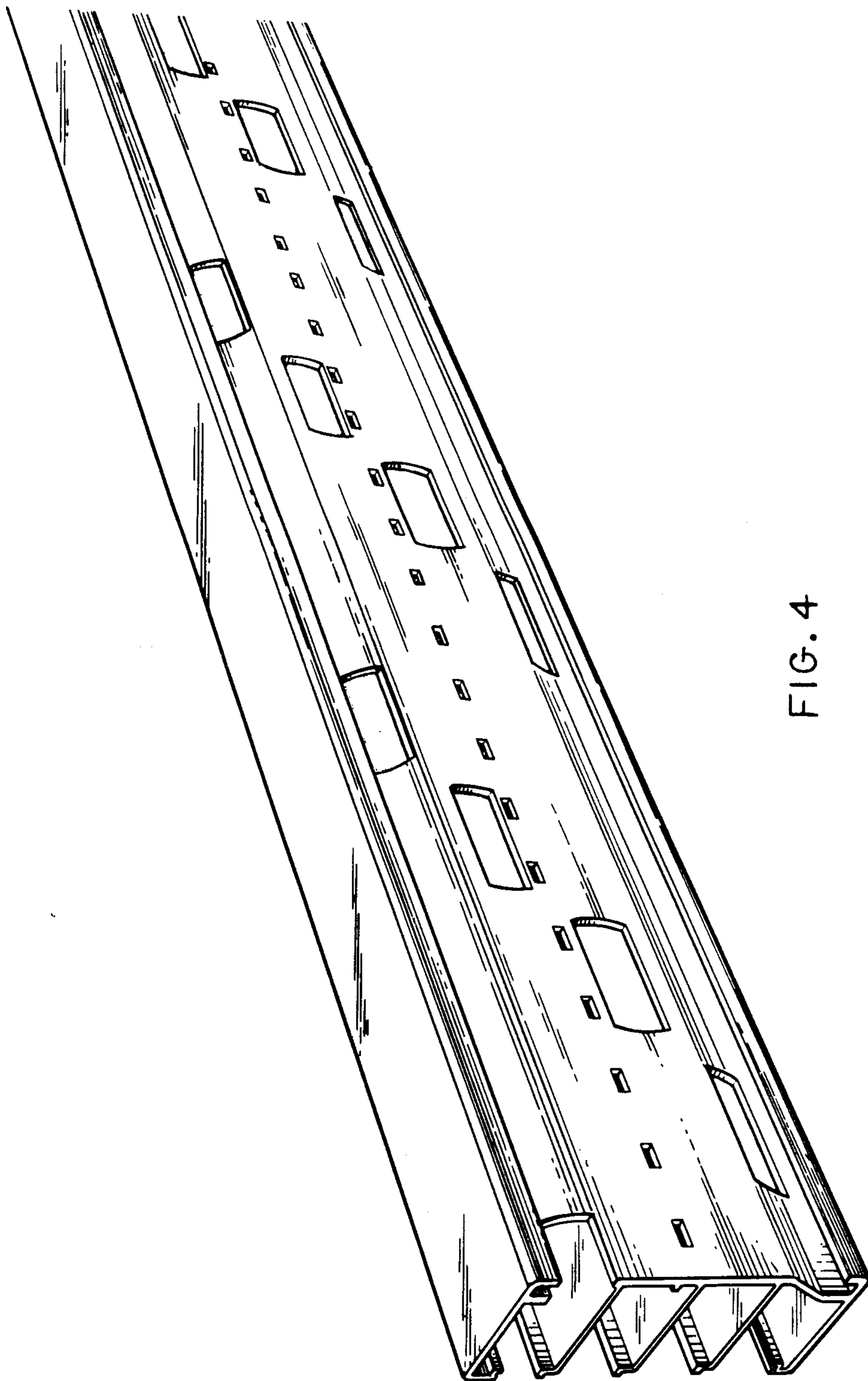


FIG. 4

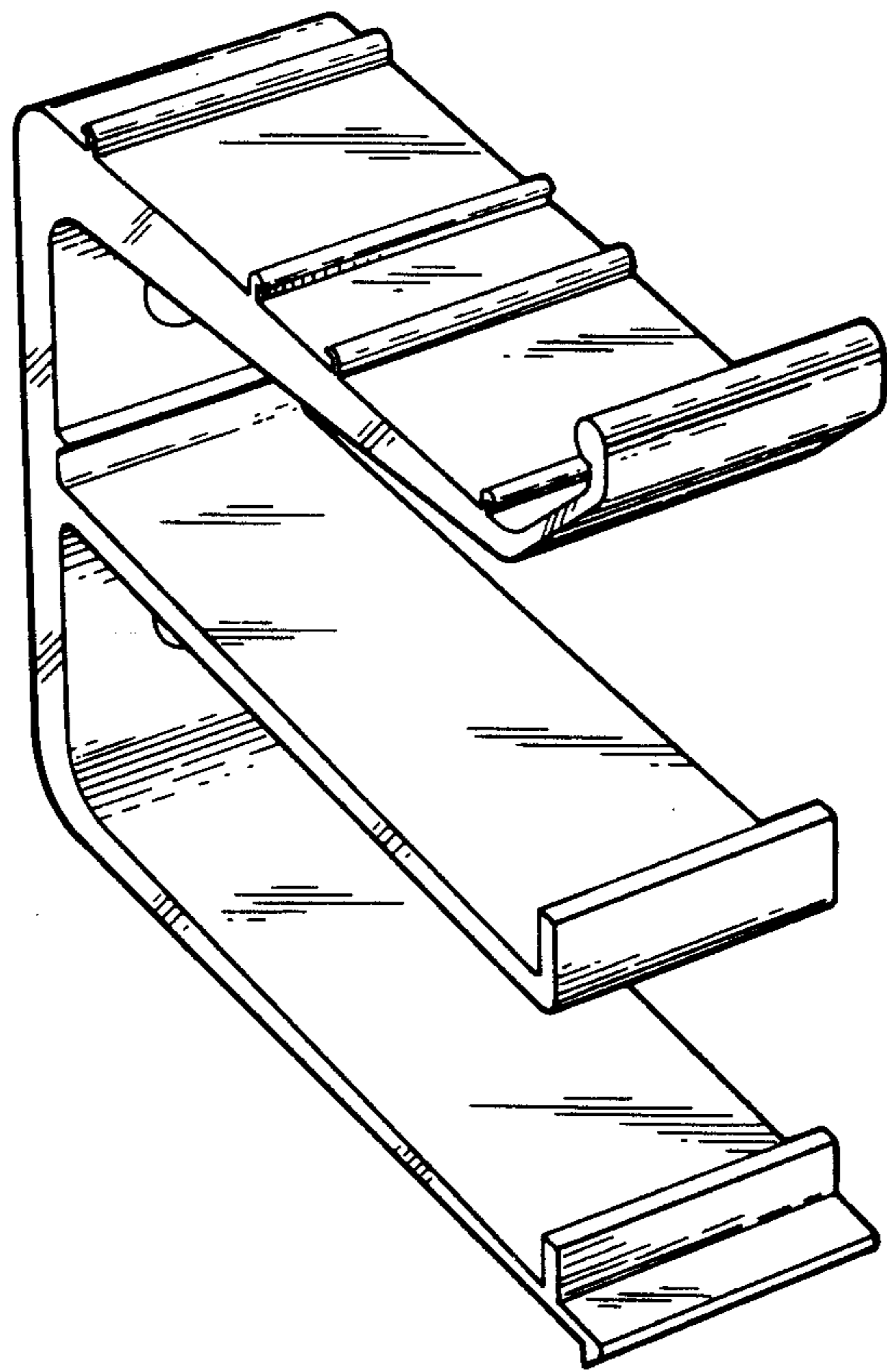


FIG. 5

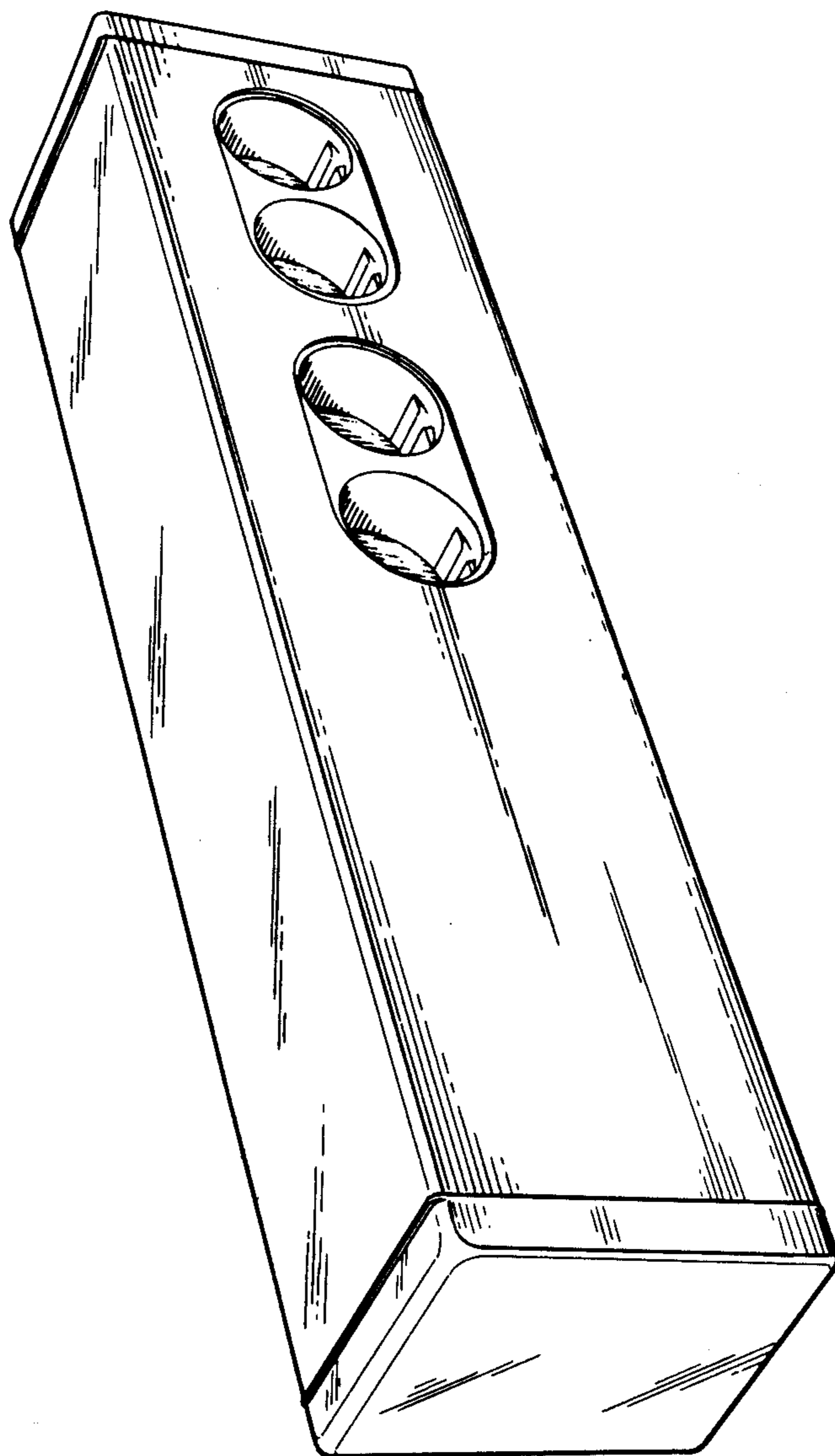


FIG. 6

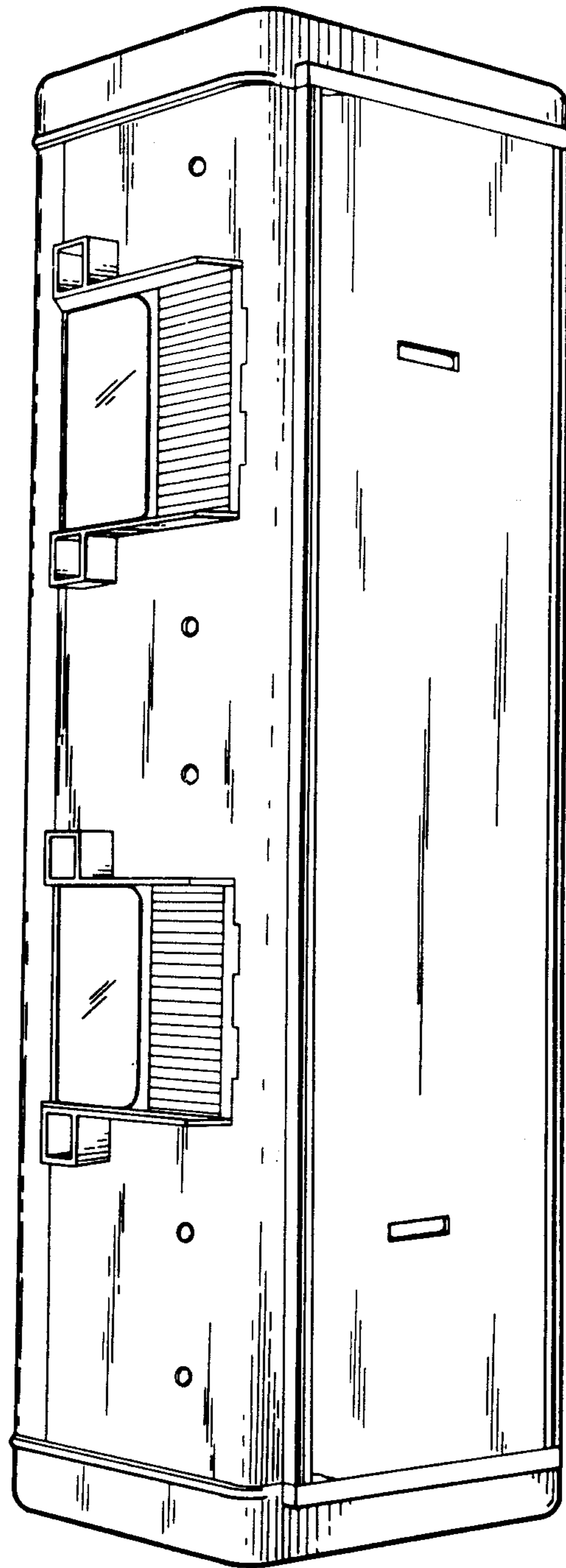


FIG. 7

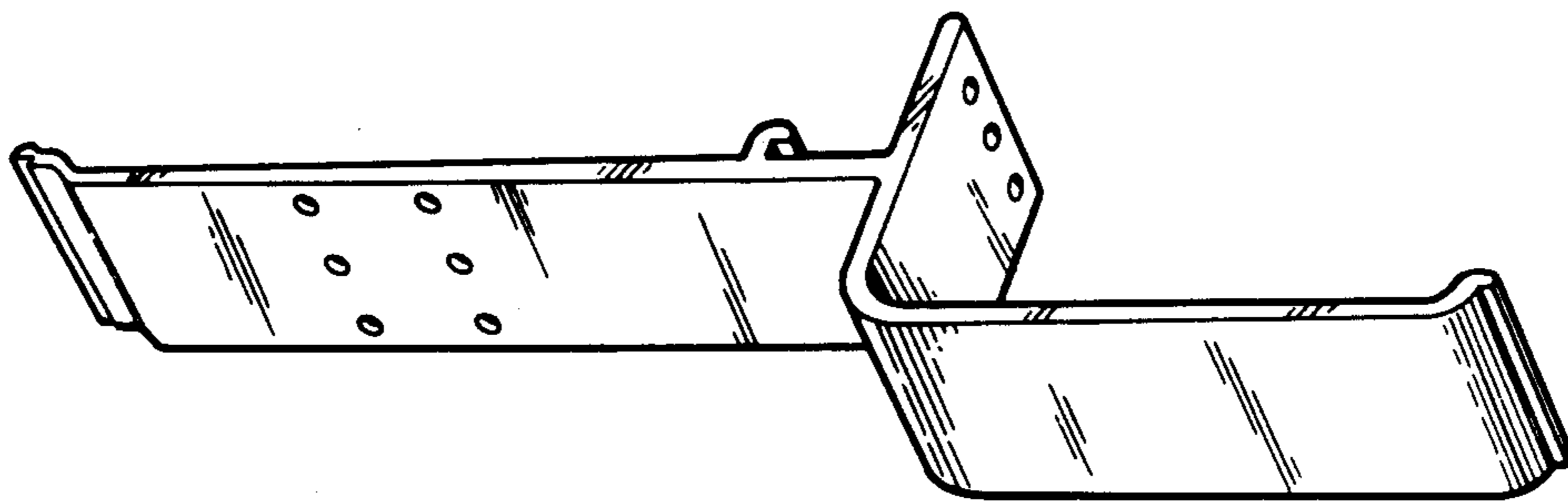


FIG. 8