

[54] BICYCLE WHEEL OR SIMILAR ARTICLE

[75] Inventor: Byron W. Koch, Toledo, Ohio

[73] Assignee: NL Industries, Inc., New York, N.Y.

[**] Term: 14 Years

[21] Appl. No.: 45,985

[22] Filed: Jun. 6, 1979

Related U.S. Application Data

[63] Continuation-in-part of Ser. No. 906,320, May 15, 1978, abandoned.

[51] Int. Cl. D12-16

[52] U.S. Cl. D12/209

[58] Field of Search D12/205, 209, 211, 210; 301/63 R, 63 DD, 63 DT, 63 PW, 64 R, 64 SH, 64 SD, 65, 66

[56] References Cited

U.S. PATENT DOCUMENTS

D. 227,665	7/1973	Griffith	D12/209
D. 235,431	6/1975	Scott	D12/205
667,291	2/1901	Brion	D12/211

FOREIGN PATENT DOCUMENTS

883788	4/1943	France	301/65
--------	--------	--------------	--------

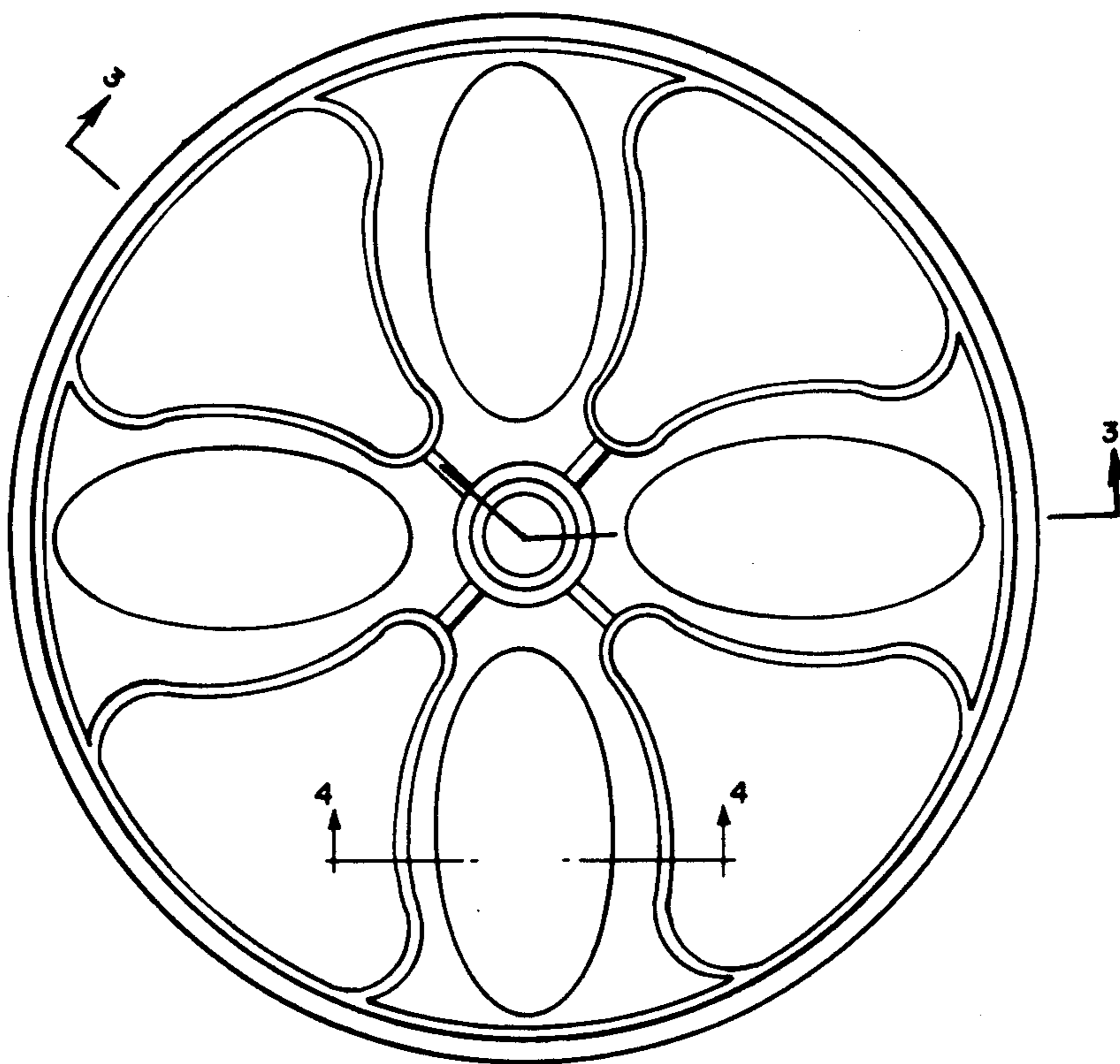
Primary Examiner—James M. Gandy

[57] CLAIM

The ornamental design for a bicycle wheel or similar article, as shown and described.

DESCRIPTION

FIG. 1 is a side elevation view of a bicycle wheel or similar article showing my new design; FIG. 2 is an end elevation view thereof; FIG. 3 is an enlarged cross-sectional view thereof taken on the line 3—3 in FIG. 1; and FIG. 4 is an enlarged cross-sectional view thereof taken on the line 4—4 in FIG. 1.



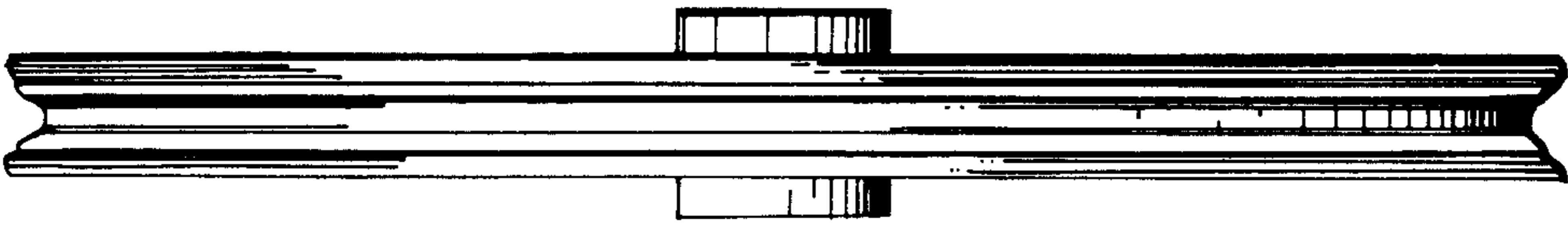


Fig. 2

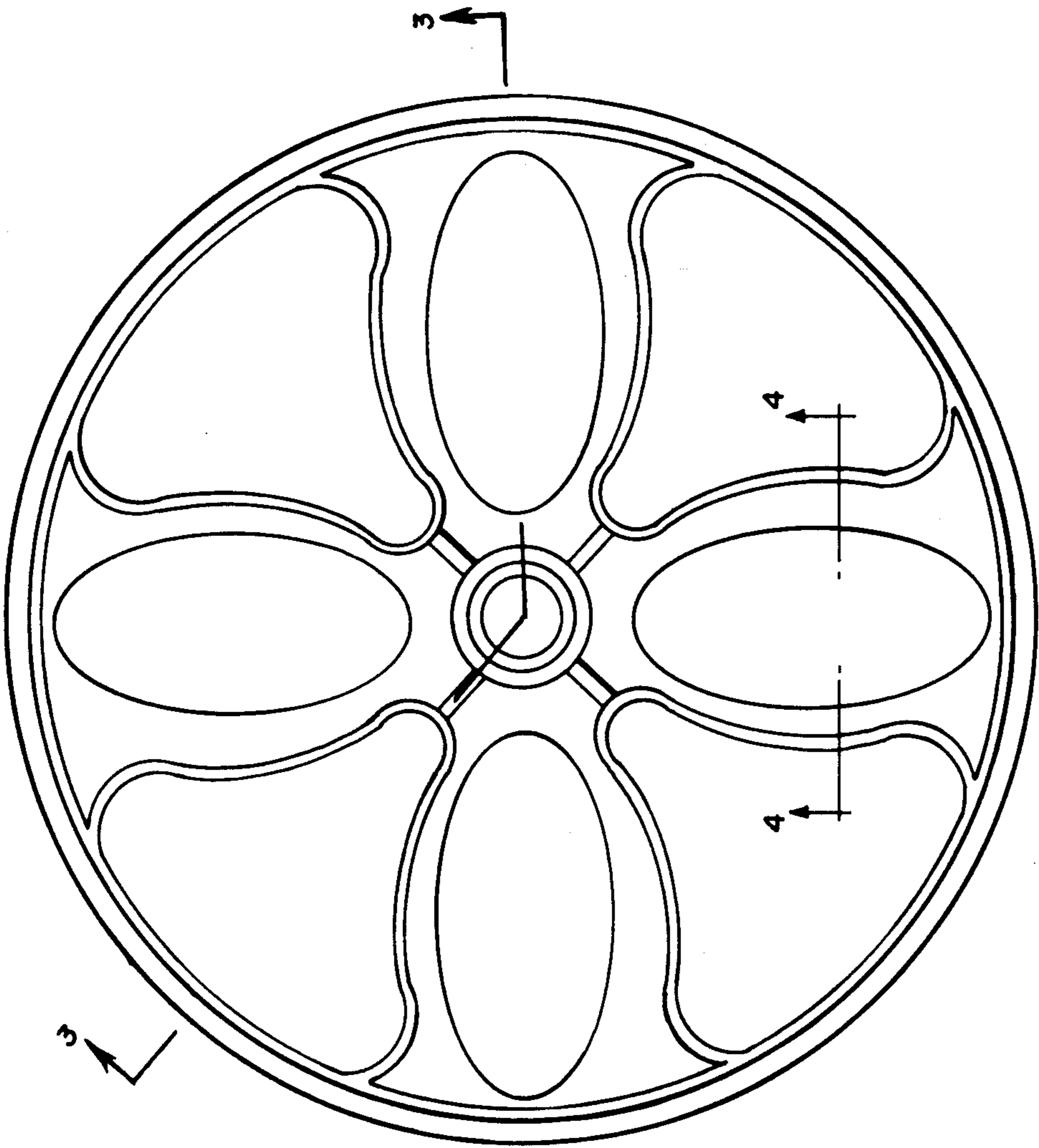


Fig. 1

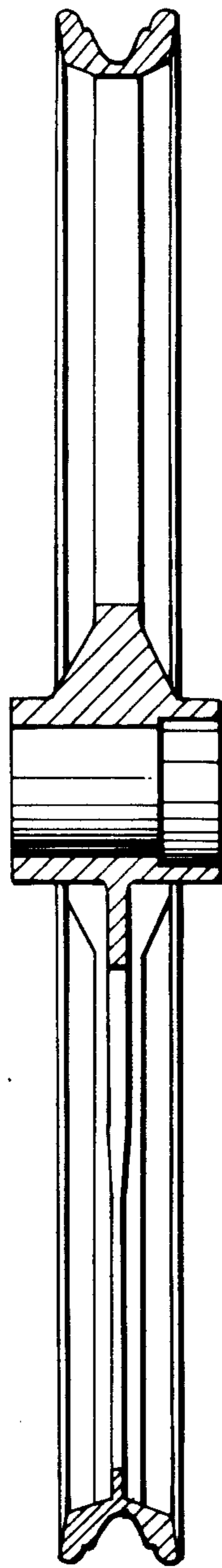


Fig. 3



Fig. 4