

[54] CATAMARAN HULL

[76] Inventor: Paul F. Jedzinski, 78 Portland Rd.,
Holland Park, London W.11,
England

[**] Term: 14 Years

[21] Appl. No.: 901,977

[22] Filed: May 1, 1978

[30] Foreign Application Priority Data

Nov. 3, 1977 [GB] United Kingdom 982154/77

[51] Int. Cl. D12-06
[52] U.S. Cl. D12/64; D12/62
[58] Field of Search D12/64, 62; 114/39;
9/2 R

[56] References Cited

U.S. PATENT DOCUMENTS

D. 223,687 5/1972 Wiederhold D12/64
D. 233,600 11/1974 Forssell D12/62

OTHER PUBLICATIONS

Design, May 1971, p. 89, Catamaran Sailboat at top
right of page.
Rudder, Sep. 1968, p. 50, Catamaran Sailboat on page.

Primary Examiner—Alan P. Douglas
Attorney, Agent, or Firm—Edmund F. Bard

[57] CLAIM

The ornamental design for a catamaran hull, substan-
tially as shown.

DESCRIPTION

FIG. 1 is a top plan view showing my new design;
FIG. 2 is a side view;
FIG. 3 is a front view;
FIG. 4 is a rear view

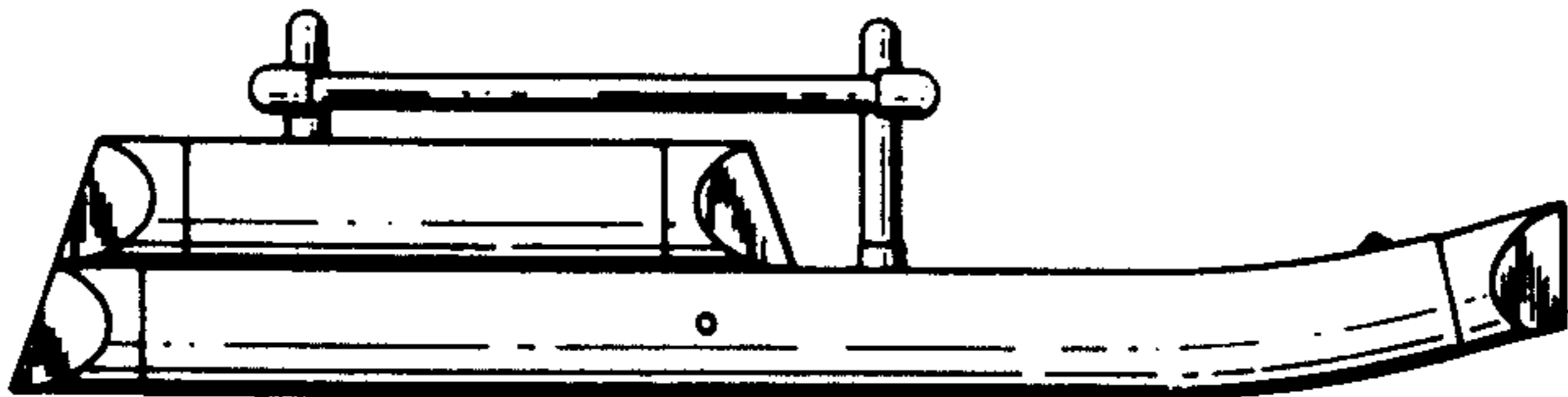
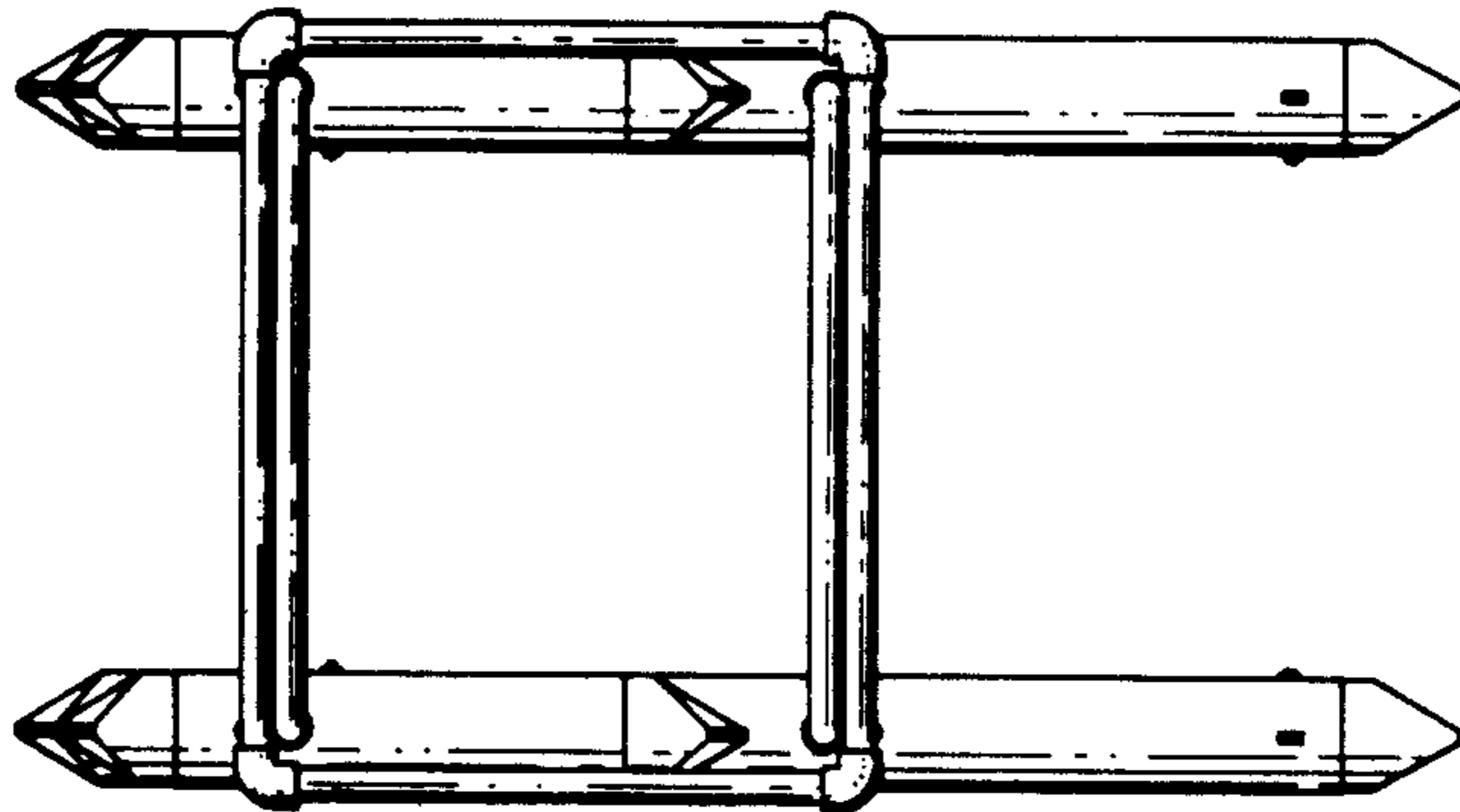


FIG. 1

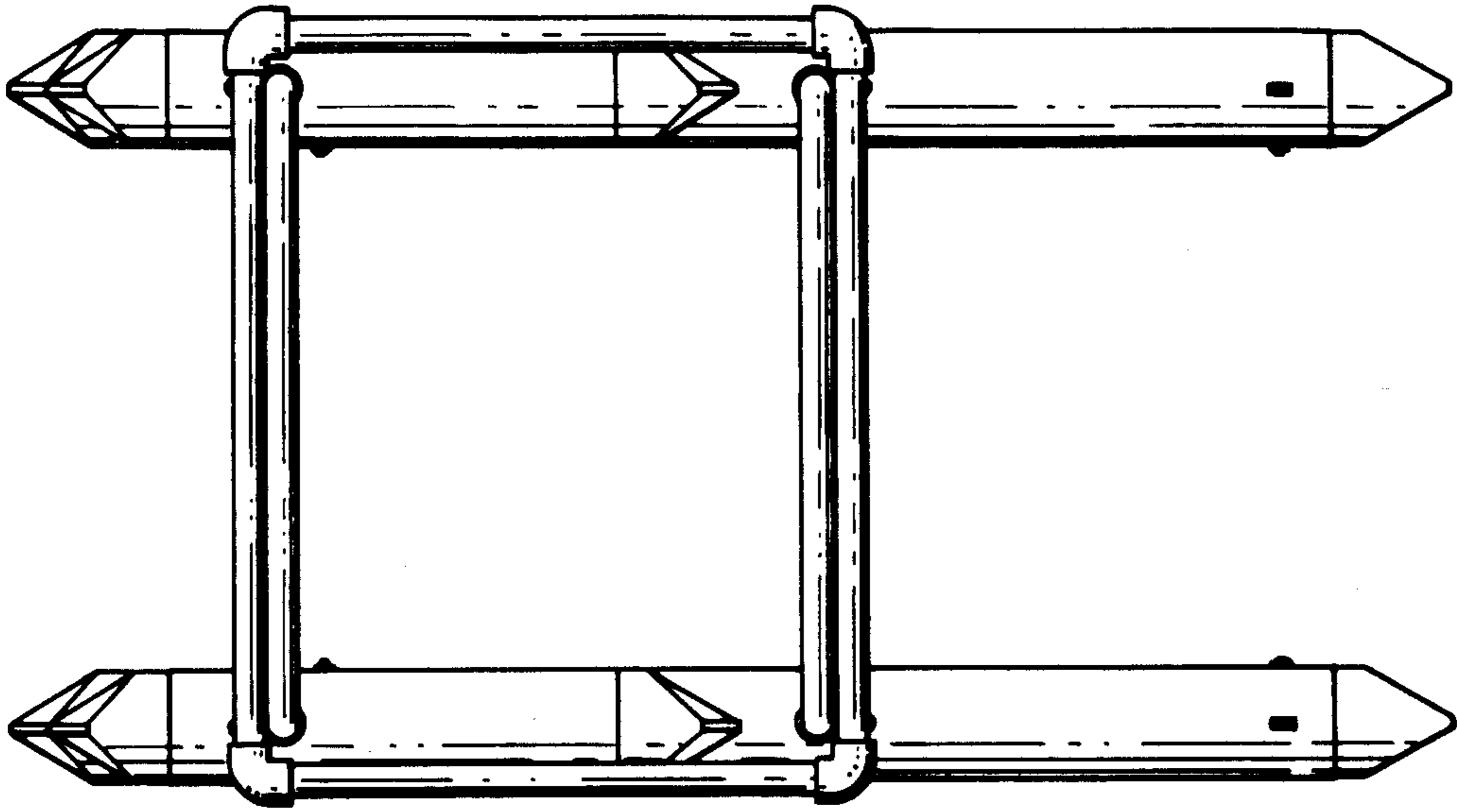


FIG. 2

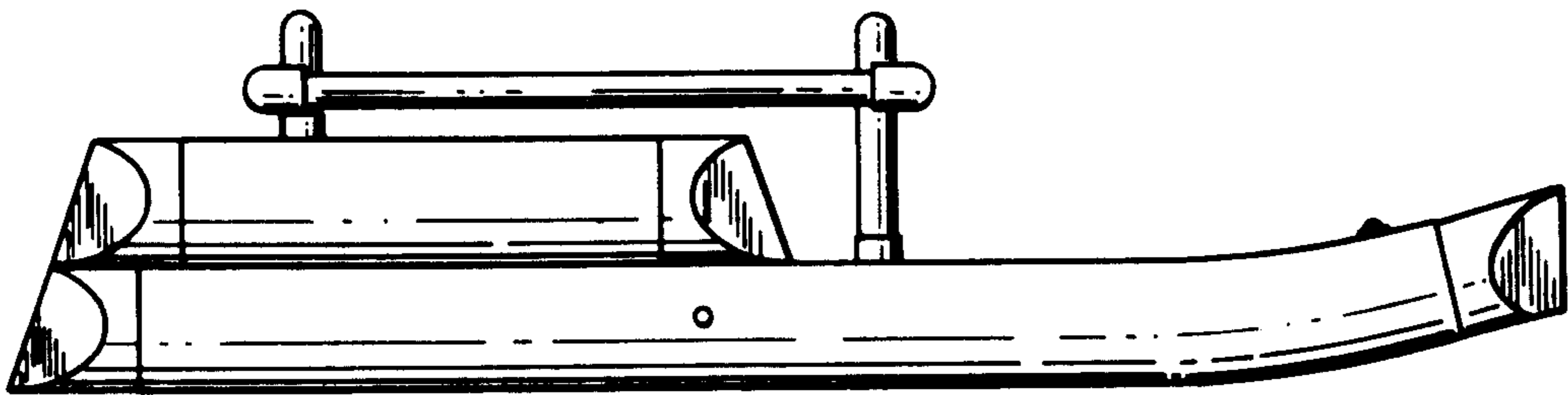


FIG.3

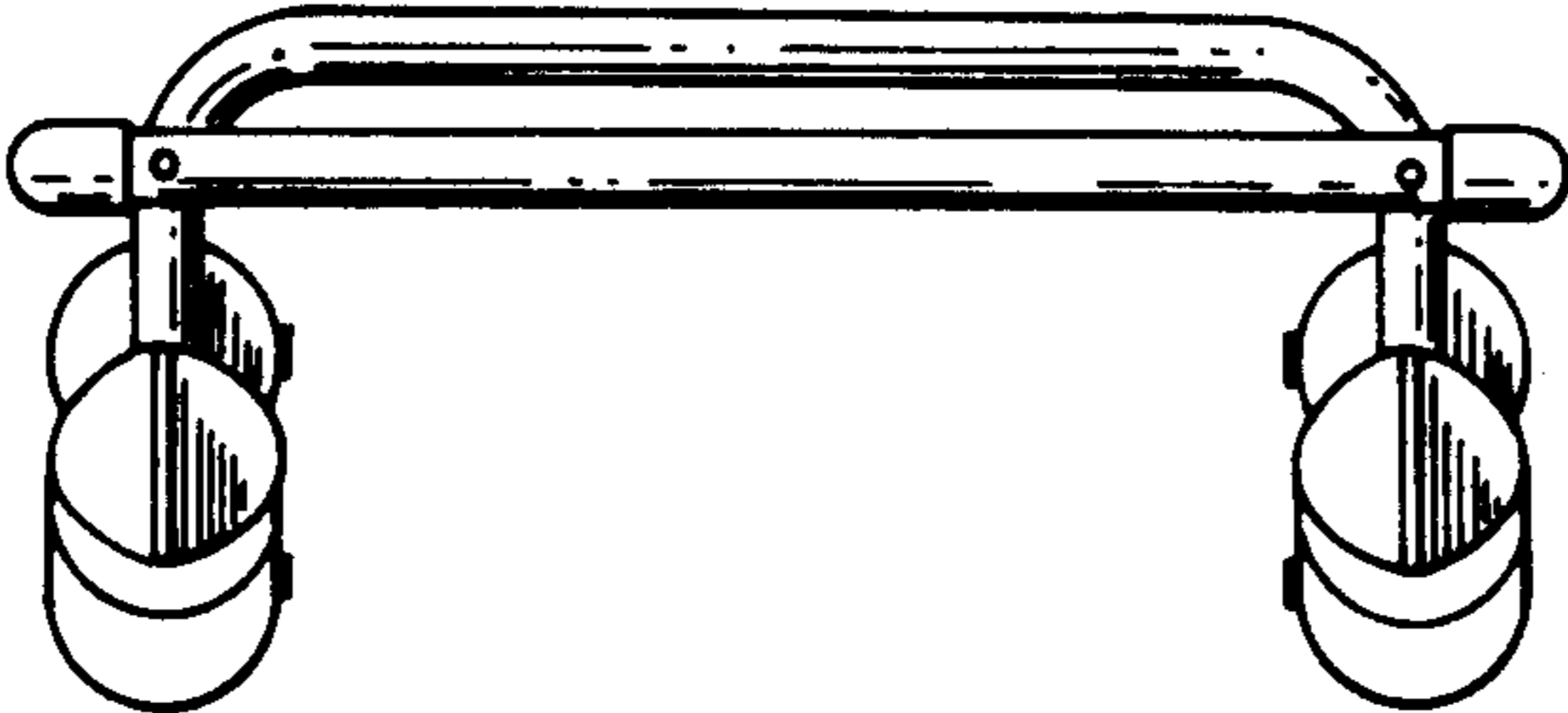


FIG.4

