

[54] **FLEXIBLE WRIST BAND**

[76] Inventor: **Lonas S. Young**, 9760 E. Rosewood,
Tucson, Ariz. 85710

[**] Term: **14 Years**

[21] Appl. No.: **948,985**

[22] Filed: **Oct. 5, 1978**

[51] Int. Cl. **D11-01**

[52] U.S. Cl. **D11/25**

[58] Field of Search **D11/1-5,**
D11/12, 13, 15, 19, 20, 25, 86, 93; 63/1 R-5 A;
59/78, 79 R-79 B, 80, 82

[56] **References Cited**

U.S. PATENT DOCUMENTS

D. 150,653 8/1948 Pommier D11/5 X

2,427,117 9/1947 Barmache et al. D11/15 X

3,994,126 11/1976 Rieth D11/19 X

FOREIGN PATENT DOCUMENTS

.249460 6/1947 Switzerland59/80

Primary Examiner—Louis S. Zarfaz
Attorney, Agent, or Firm—C. Robert von Hellens

[57] **CLAIM**

The ornamental design for a flexible wrist band, as shown and described.

DESCRIPTION

FIG. 1 is a perspective view of a flexible wrist band showing my new design;
FIG. 2 is an end elevational view thereof, both ends being the same;
FIG. 3 is a top plan view thereof;
FIG. 4 is a side elevational view thereof;
FIG. 5 is a bottom plan view thereof.

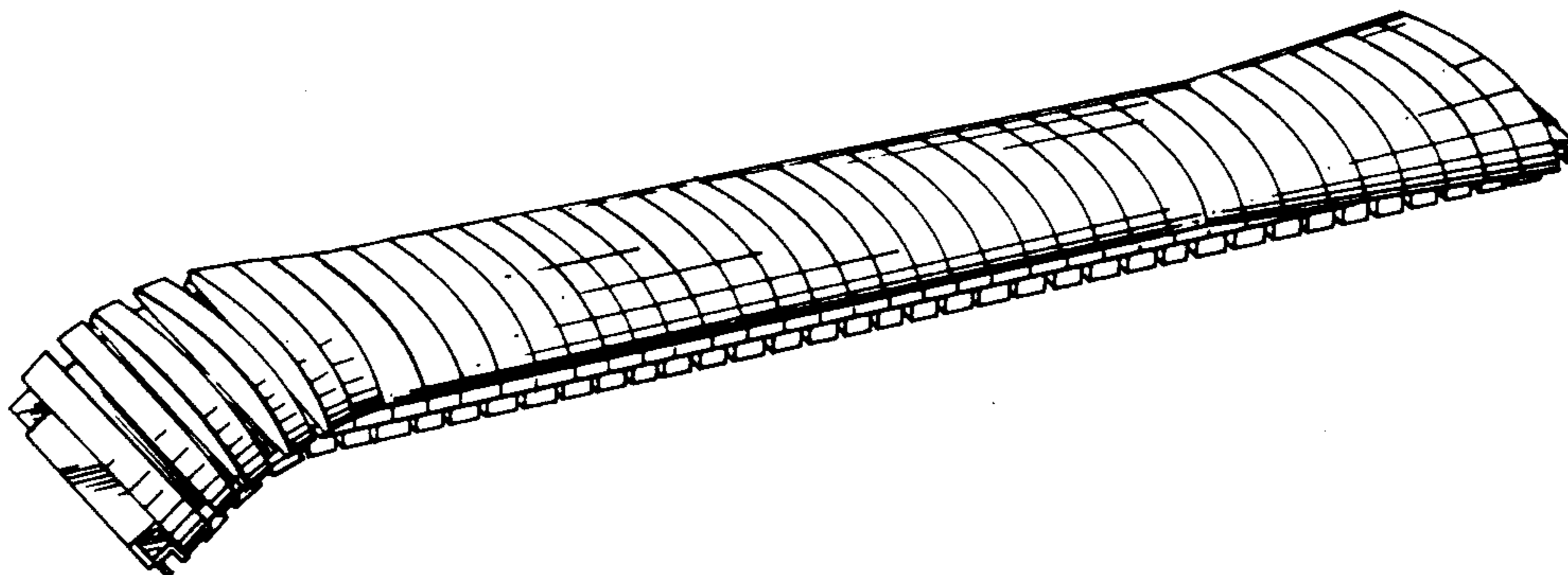


fig. 1

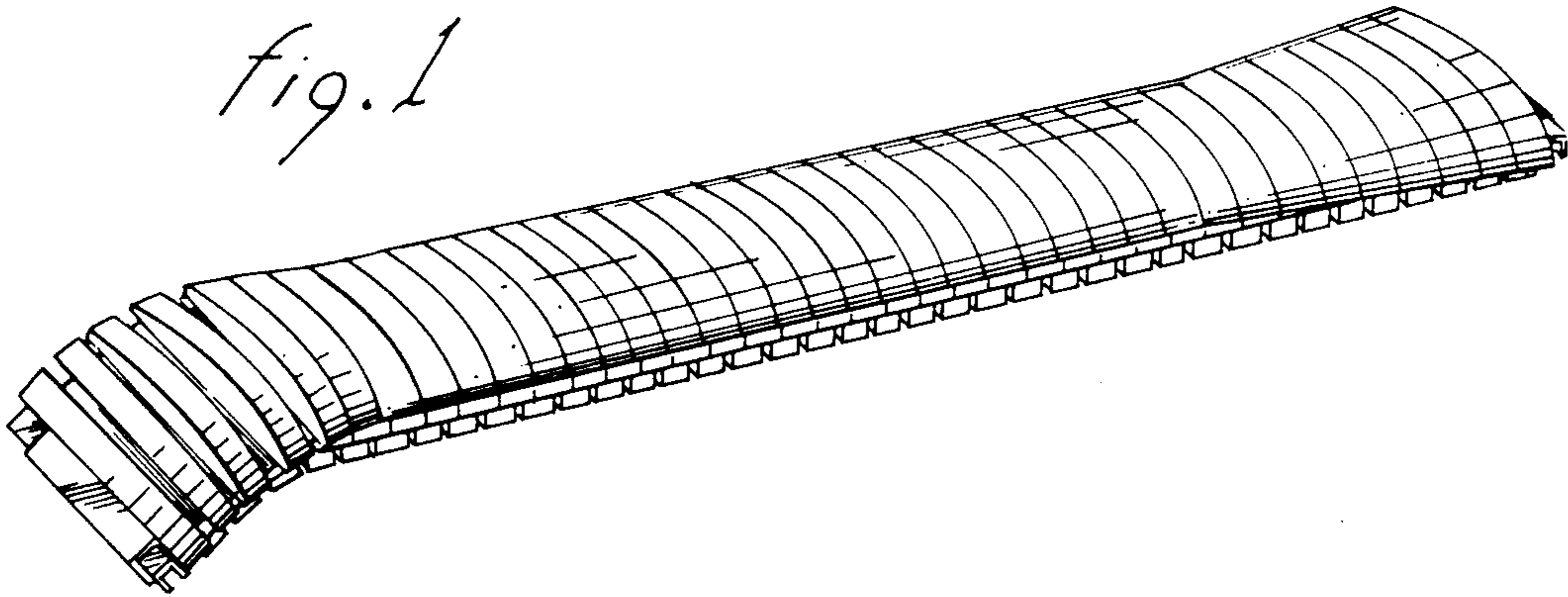


fig. 2



fig. 3

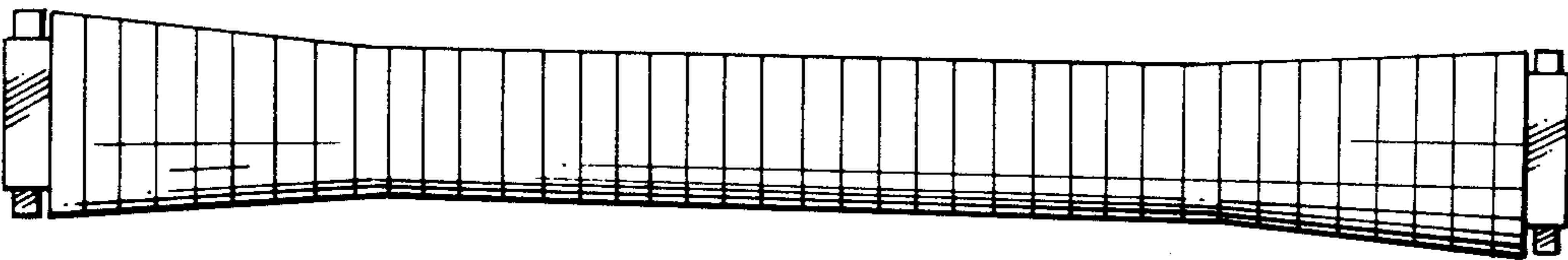


fig. 4



fig. 5

