

[54] POOL WATER TESTER

[75] Inventors: Cay-Peter Voss, Hagen-Berchum;  
Manfred Nowak, Lünen, both of Fed.  
Rep. of Germany

[73] Assignee: Tintometer GmbH, Dortmund, Fed.  
Rep. of Germany

[\*\*] Term: 14 Years

[21] Appl. No.: 852,604

[22] Filed: Nov. 17, 1977

[30] Foreign Application Priority Data

May 26, 1977 [DE] Fed. Rep. of Germany ..... 7716628

[51] Int. Cl. .... D10-04

[52] U.S. Cl. .... D10/81; D24/17

[58] Field of Search ..... D10/81, 46, 56, 81;  
D24/17; 356/412, 409, 414, 415, 246, 182

[56] References Cited

U.S. PATENT DOCUMENTS

D. 185,543 6/1959 Frank ..... D10/81

D. 186,271	10/1959	Marks .....	D10/46
D. 197,404	1/1964	Frank .....	D10/81
D. 216,258	12/1969	Connolly .....	D10/81
D. 232,038	7/1974	Hach .....	D24/17
D. 247,821	5/1978	Biersch .....	D24/17
3,176,577	4/1965	Frank .....	356/412
3,381,572	5/1968	Tuwiner .....	356/412

Primary Examiner—Nelson C. Holtje  
Attorney, Agent, or Firm—Emory L. Groff, Jr.

[57] CLAIM

The ornamental design for a pool water tester, as shown and described.

DESCRIPTION

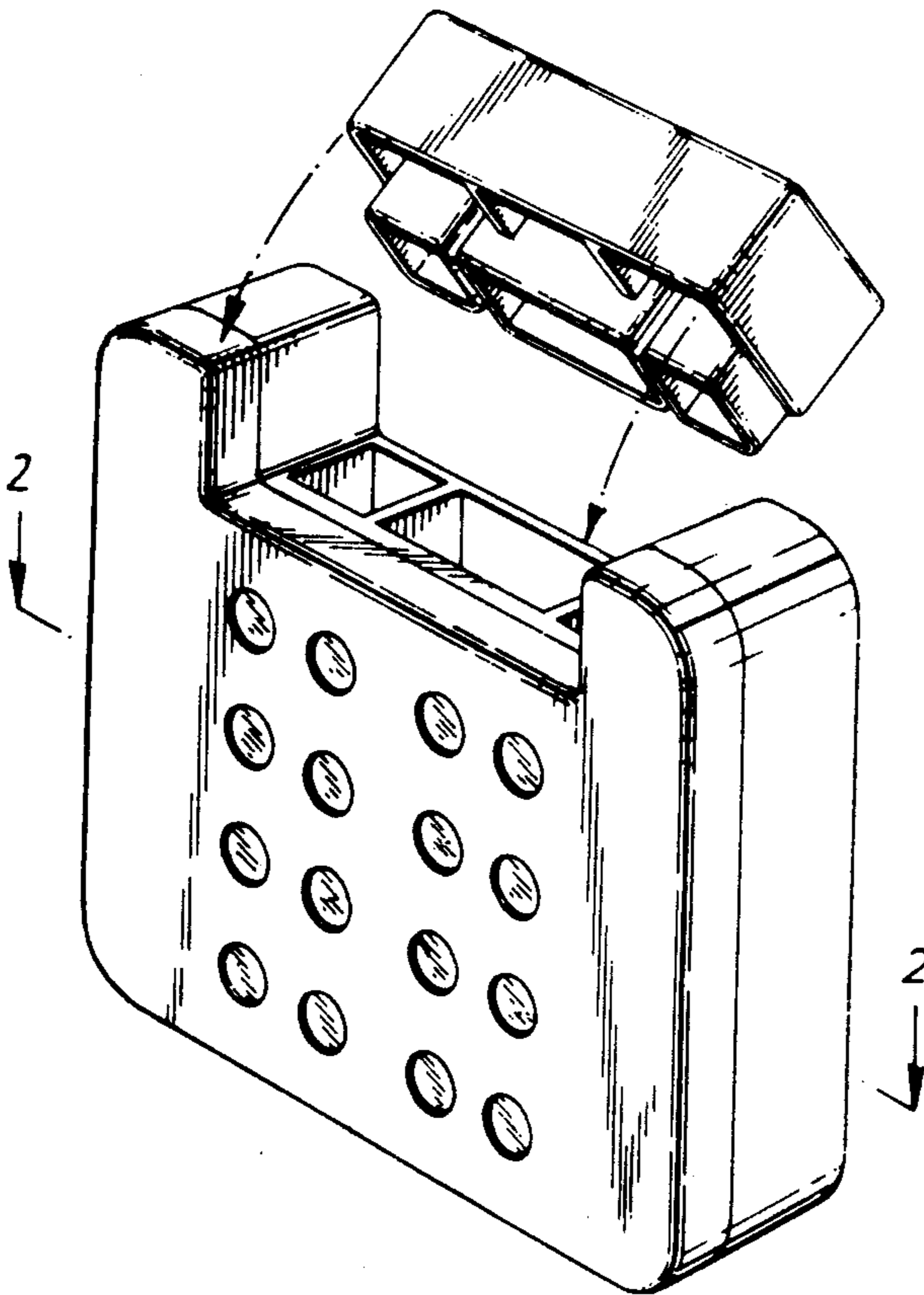
FIG. 1 is a right front exploded perspective view of a pool water tester showing our new design with the cover raised;

FIG. 2 is a rear elevational view of FIG. 1 with the cover in a closed position;

FIG. 3 is a right side elevational view of FIG. 2;

FIG. 4 is a bottom plan view of FIG. 2;

FIG. 5 is a right front perspective view of FIG. 1 with the cover in the closed position.



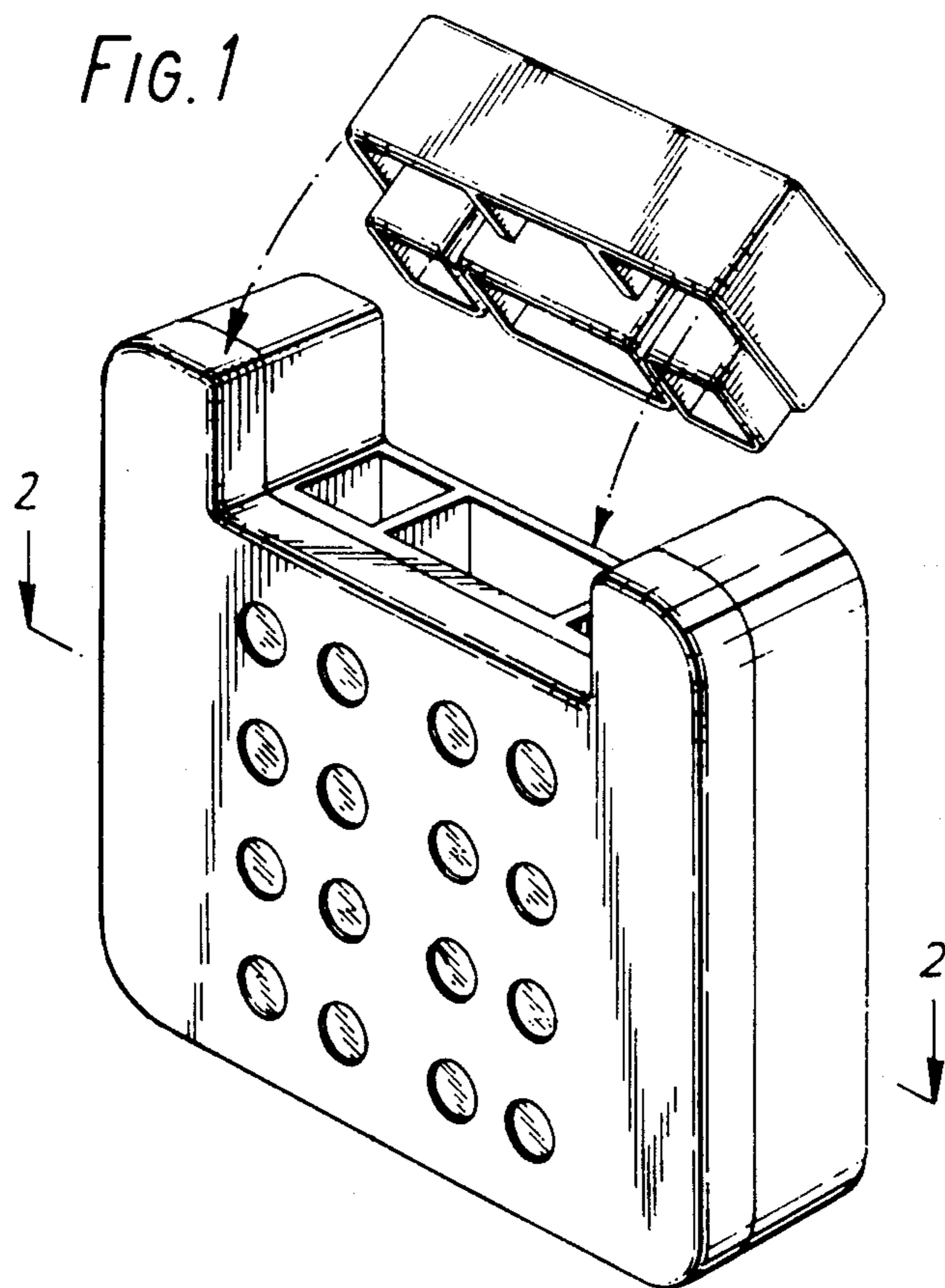


FIG. 2

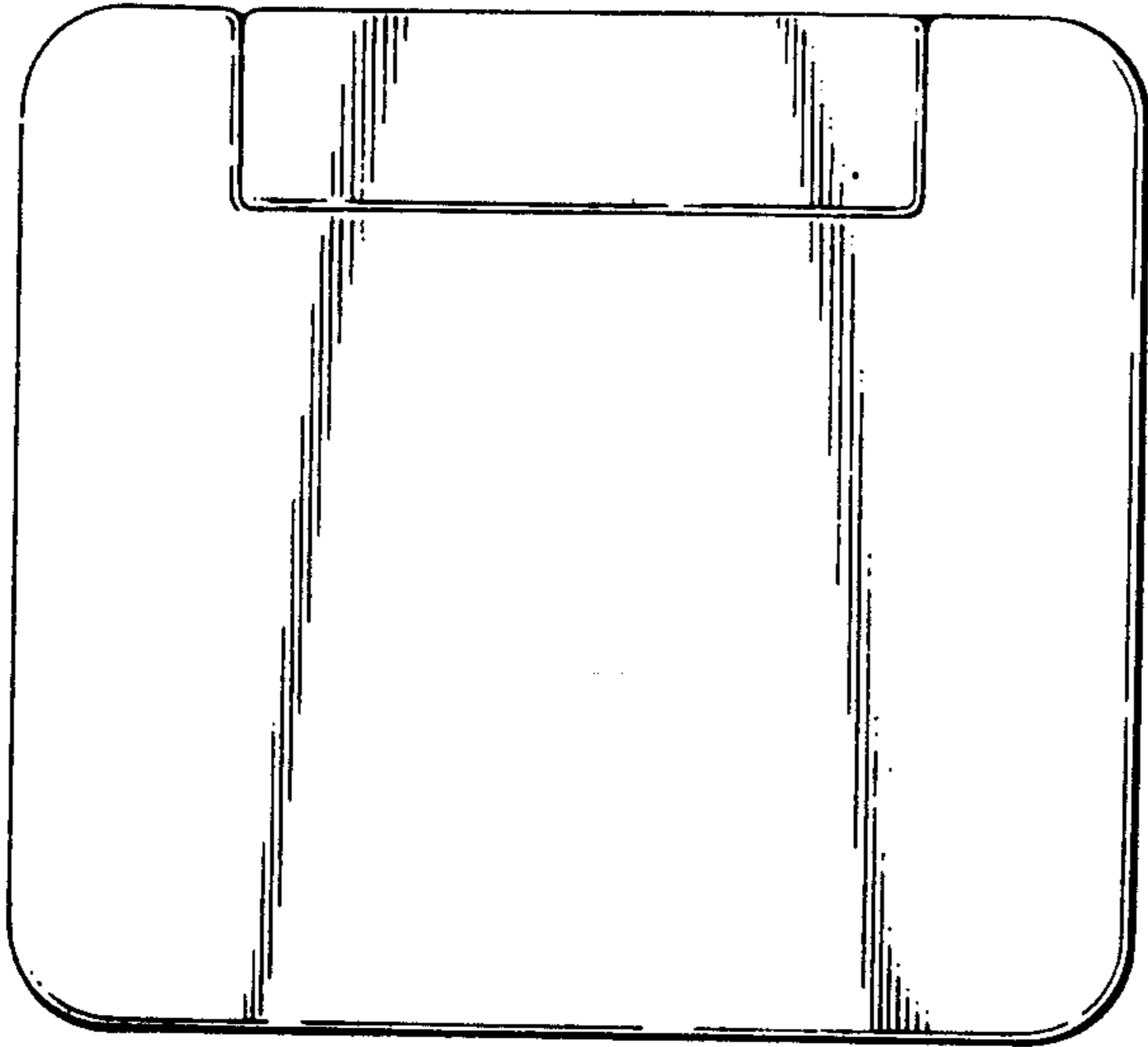


FIG. 3

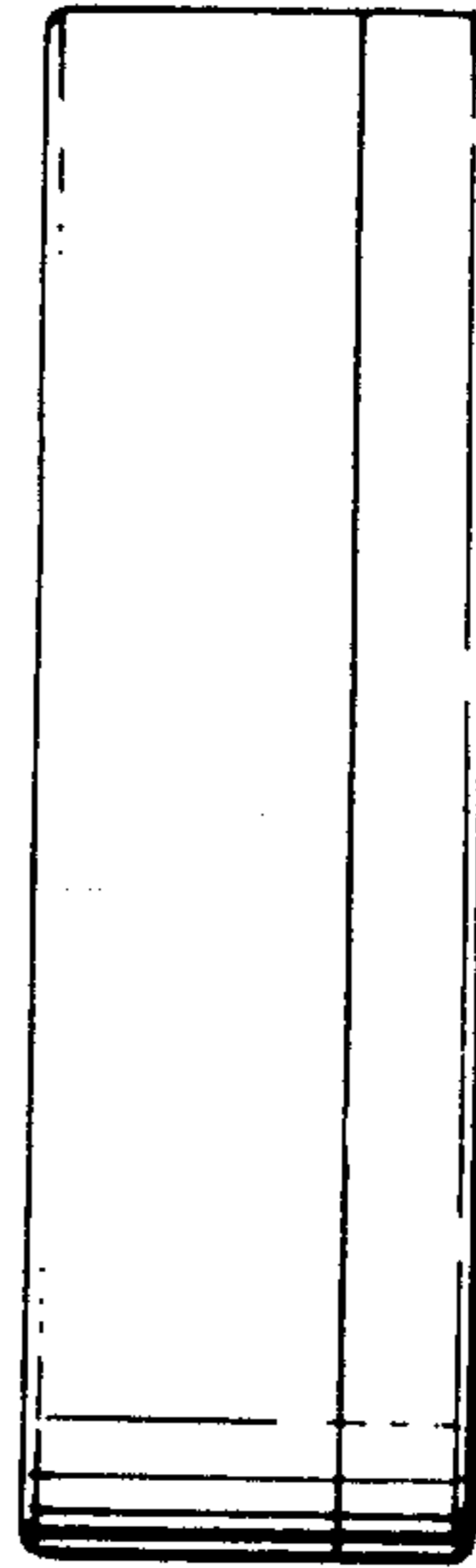


FIG. 4

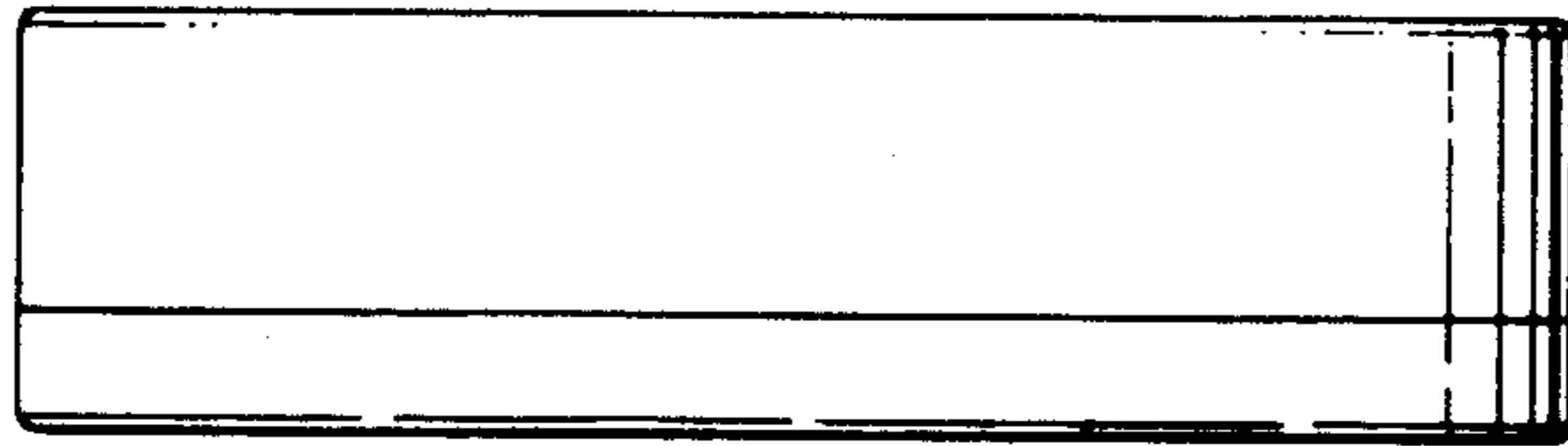


FIG. 5

