

[54] **AUTOMOBILE ALARM PACKAGE**
 [75] Inventor: **Darrell D. Fish**, Timonium, Md.
 [73] Assignee: **Universal Security Instruments, Inc.**,
 Owings Mills, Md.

[**] Term: **14 Years**

[21] Appl. No.: **945,557**

[22] Filed: **Sep. 25, 1978**

[51] Int. Cl. **D9-03**

[52] U.S. Cl. **D9/193; D9/224**

[58] Field of Search 229/8; 206/45.14, 45.19,
206/305; D9/25, 196, 193, 229, 224

[56] **References Cited**

U.S. PATENT DOCUMENTS

D. 201,462 6/1965 Klein D9/196

D. 214,262 5/1969 Paige D9/196
 D. 216,002 11/1969 Stone D9/193
 2,665,522 1/1954 Junod D9/196 X
 3,261,619 7/1966 Norgaard, Jr. et al. 229/8 X
 4,055,250 10/1977 Mayhew 229/8
 4,155,445 5/1979 Roccaforte 206/45.14

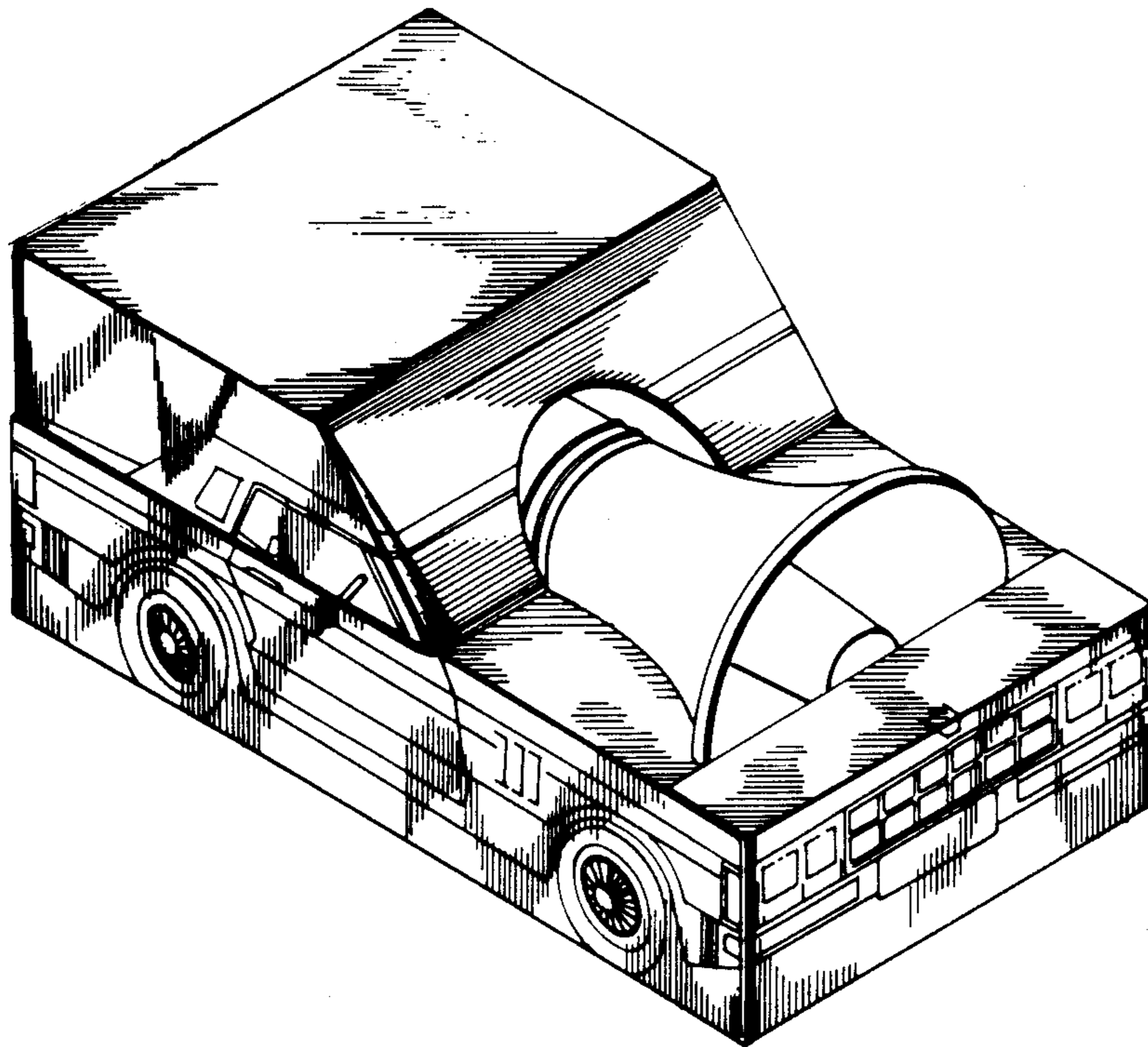
Primary Examiner—Robert C. Spangler
Attorney, Agent, or Firm—Howard L. Rose

[57] **CLAIM**

The ornamental design for an automobile alarm pack-
age, substantially as shown.

DESCRIPTION

FIG. 1 is a front perspective view of an automobile
alarm package showing my new design;
FIG. 2 is a rear perspective view;
FIG. 3 is a side elevational view;
FIG. 4 is a top plan view; and
FIG. 5 is a front elevational view thereof.



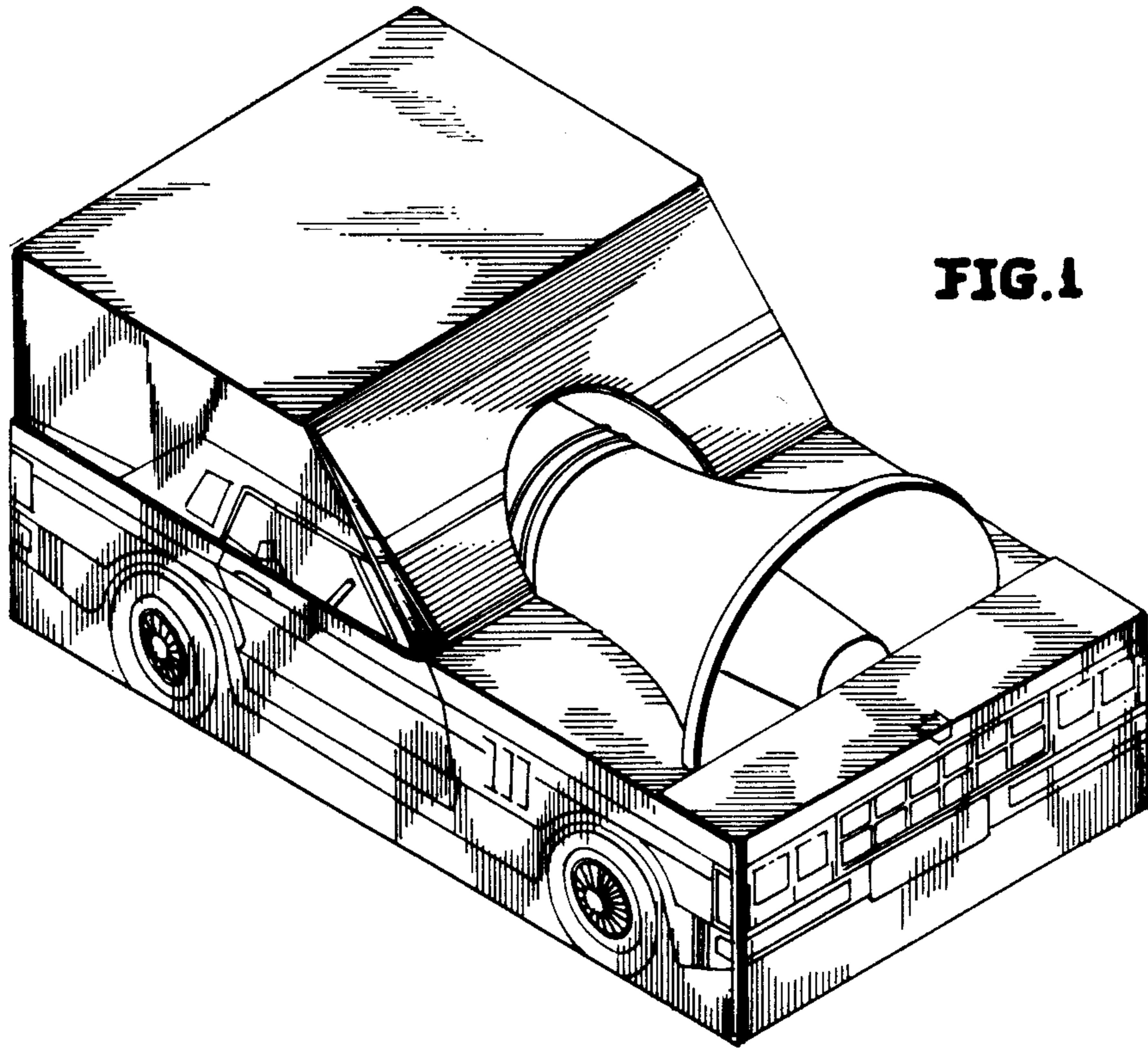


FIG. 1

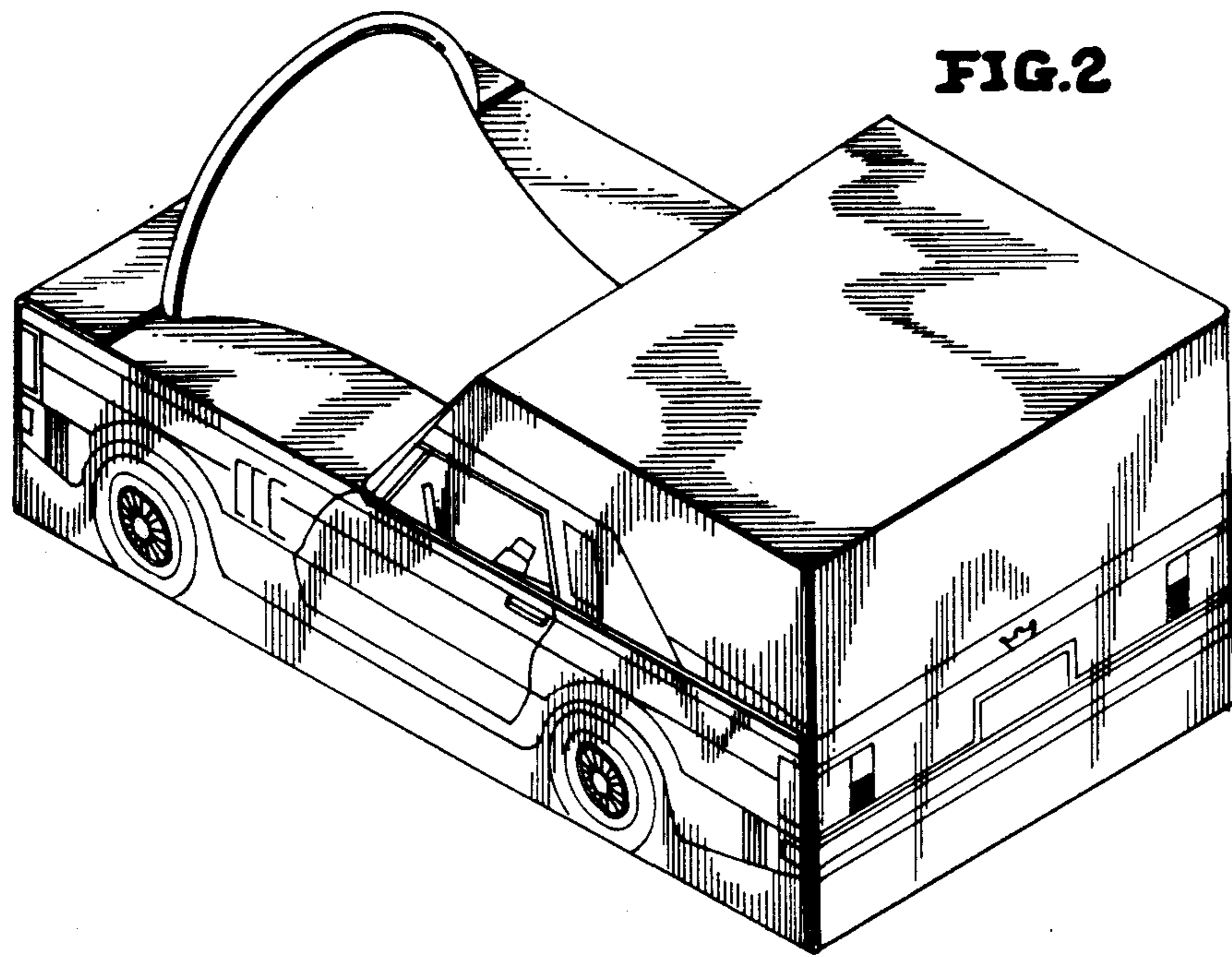


FIG. 2

FIG.3

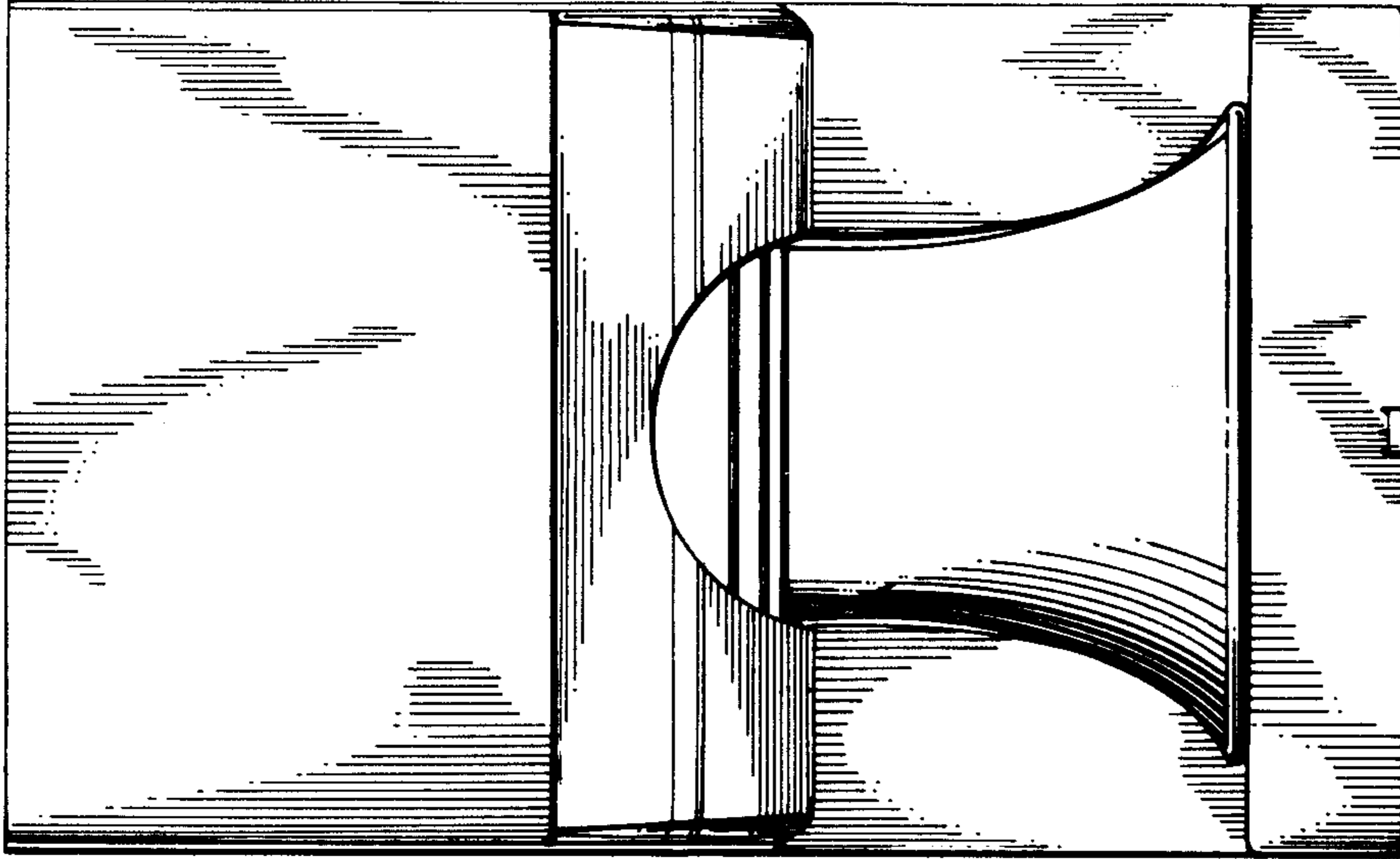


FIG.4

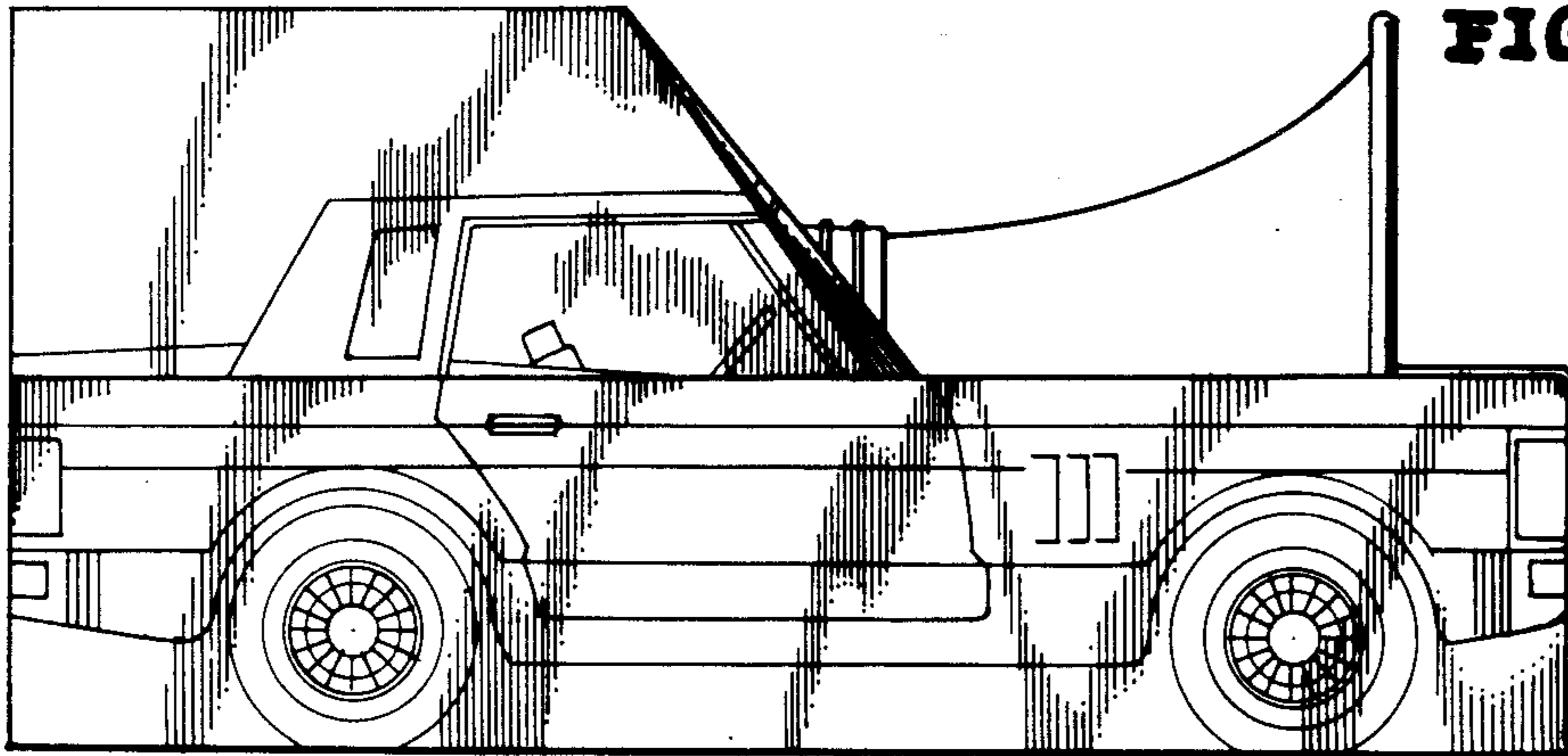


FIG.5

