

[54] MITER PLATE

[75] Inventors: **Bengt E. Legerius; Stig A. Löfring,**  
both of Nyköping, Sweden

[73] Assignee: **Telefonaktiebolaget L M Ericsson,**  
Stockholm, Sweden

[\*\*] Term: **3½ Years**

[21] Appl. No.: **920,227**

[22] Filed: **Jun. 29, 1978**

[30] **Foreign Application Priority Data**

Jan. 24, 1978 [SE] Sweden ..... 780197

[51] Int. Cl. .... **D8—05**

[52] U.S. Cl. .... **D8/71; D25/76;**  
**83/762**

[58] Field of Search ..... D8/71; D15/140, 141;  
D25/74, 75, 76; 83/762-767; 269/280 R-293,  
43, 44; 52/738

[56] **References Cited**

**U.S. PATENT DOCUMENTS**

D. 165,977	2/1952	Haman et al. ....	D25/75
731,794	6/1903	Larson .....	83/762
1,441,887	1/1923	Scott .....	83/762
3,456,409	7/1969	Piget .....	D25/74

*Primary Examiner*—Peter Feldman

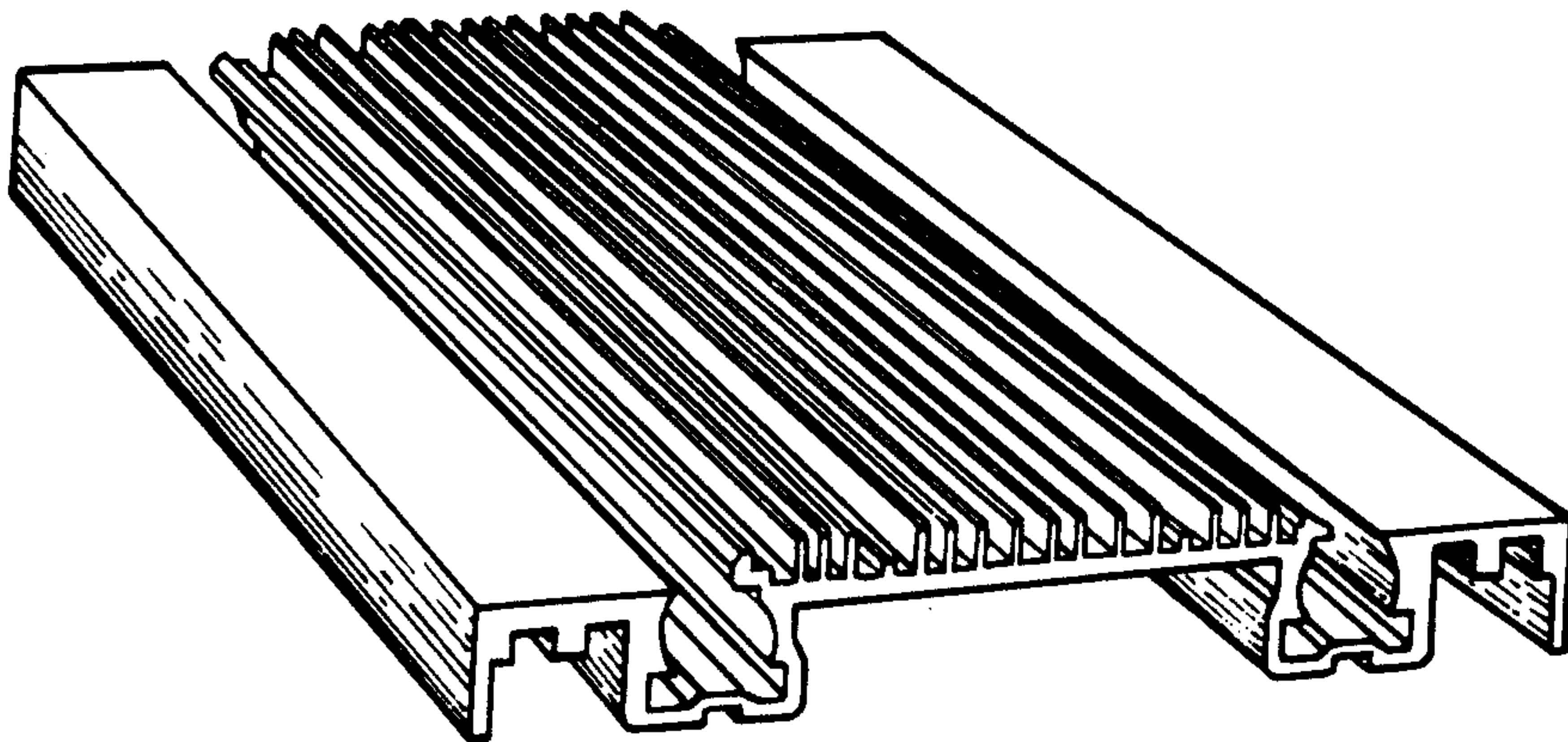
[57] **CLAIM**

The ornamental design for a miter plate, as shown.

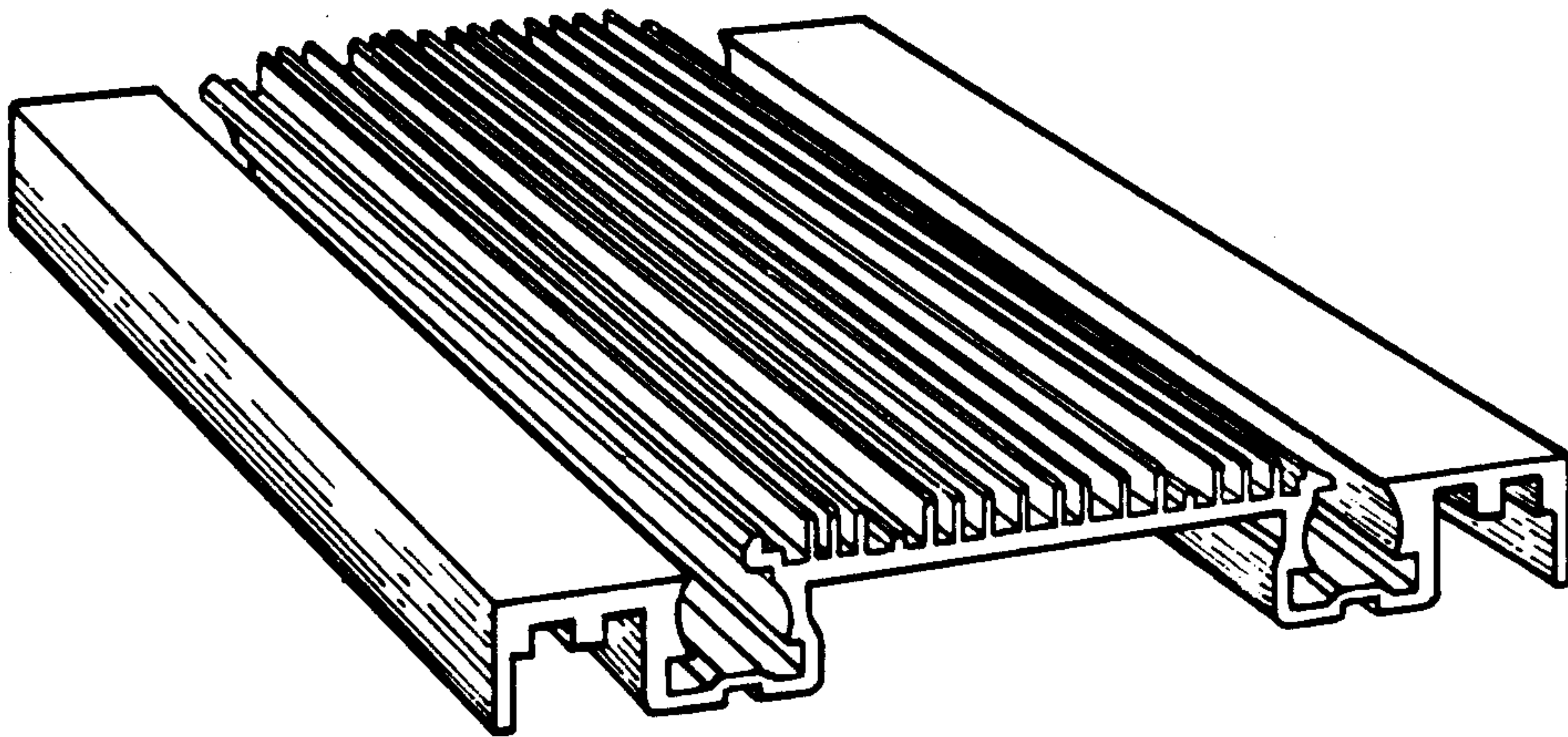
**DESCRIPTION**

FIG. 1 is a top perspective view of a miter plate showing our design;

FIG. 2 is a bottom perspective view of the miter plate.



*Fig. 1*



*Fig. 2*

