

[54] CUTTING TOOL

[75] Inventor: Peter O. Davies, Auckland, New Zealand

[73] Assignee: Tullen Industries Limited, Auckland, New Zealand

[**] Term: 14 Years

[21] Appl. No.: 908,410

[22] Filed: May 22, 1978

[51] Int. Cl. D08-03

[52] U.S. Cl. D8/5; D8/58

[58] Field of Search D8/5, 58; 30/261, 262, 30/341, 250, 251, 252, 248

[56] References Cited

U.S. PATENT DOCUMENTS

D. 239,080	5/1976	Stevenson	D8/5
D. 250,165	11/1978	Davies	D8/58
D. 250,166	11/1978	Davies	D8/58
4,114,268	9/1978	Hildebrandt et al.	D8/5

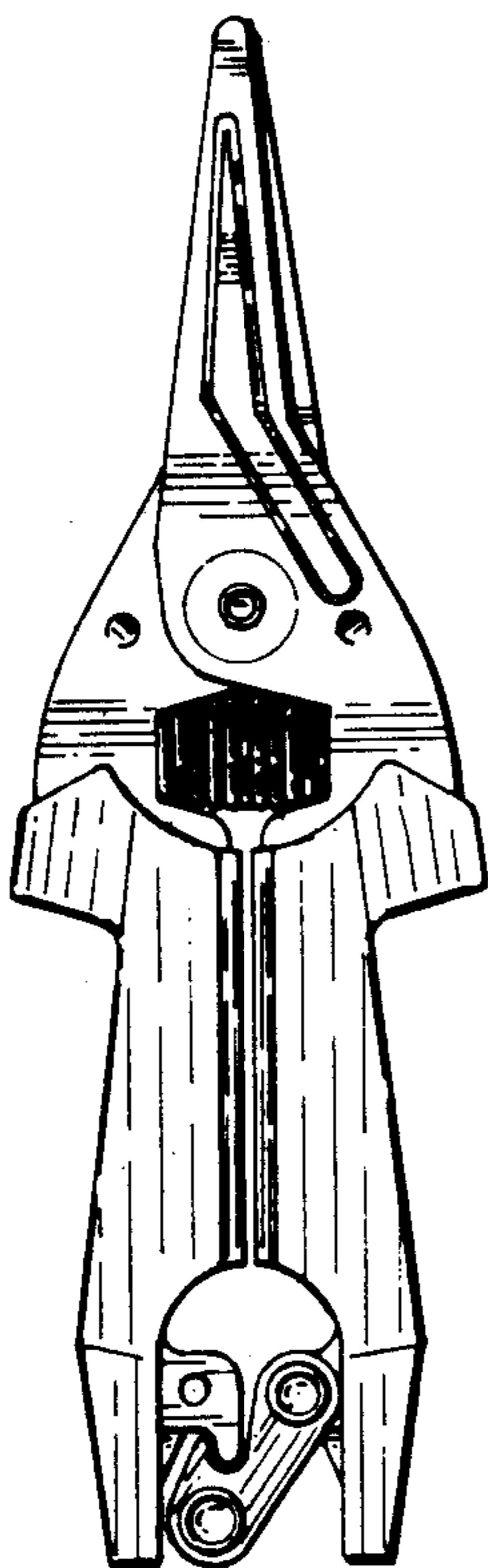
Primary Examiner—W. Stallard
Attorney, Agent, or Firm—John Clarke Holman

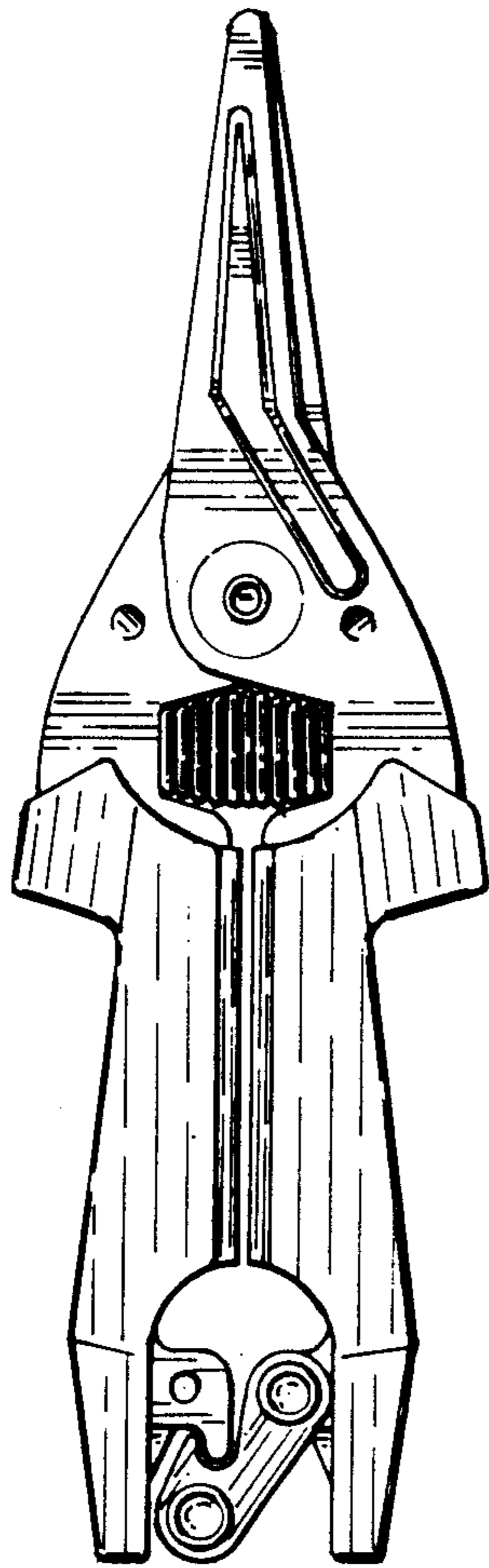
[57] CLAIM

The ornamental design for the cutting tool, as shown and described.

DESCRIPTION

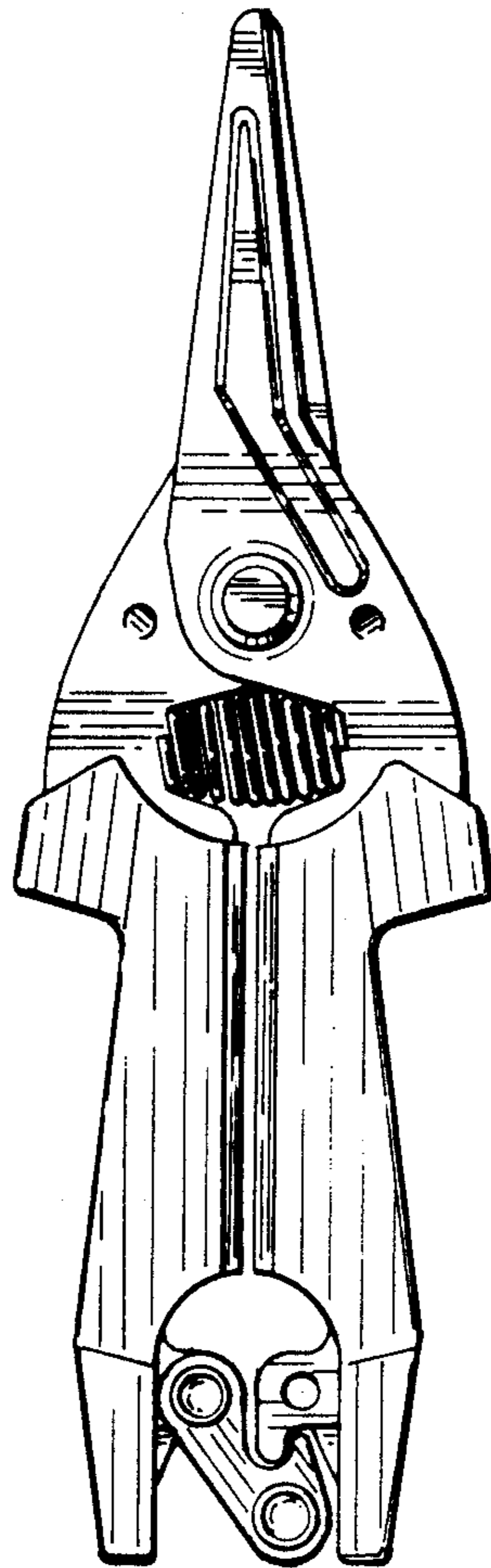
FIG. 1 is a front elevation of a cutting tool showing my new design;
 FIG. 2 is a rear elevation thereof;
 FIG. 3 is a rear elevation of the handle members in an opened position;
 FIG. 4 is a side elevation of the handle members shown separately for clarity of illustration, as seen in the direction of line 4—4 of FIG. 3;
 FIG. 5 is a side elevation thereof; as seen in the direction of line 5—5 of FIG. 3;
 FIG. 6 is a plan view of the handle as seen in the direction of line 6—6 of FIG. 3;
 FIG. 7 is a plan view of the handle, as seen in the direction of line 7—7 of FIG. 3;
 FIG. 8 is a plan view, as seen in the direction of line 8—8 of FIG. 2;
 FIG. 9 is a side elevation of the cutting tool as seen in the direction of line 9—9 of FIG. 3;
 FIG. 10 is a plan view as seen in the direction of line 10—10 of FIG. 3;
 FIG. 11 is a rear elevation of the handle members;
 FIG. 12 is a cross-section of one of the handle members as seen in the direction of line 12—12 in FIG. 3.
 The characteristic feature of my design resides in the handle portion and locking tab of the cutting tool.





8↑

Fig. 1



↑8

Fig. 2

Fig. 12



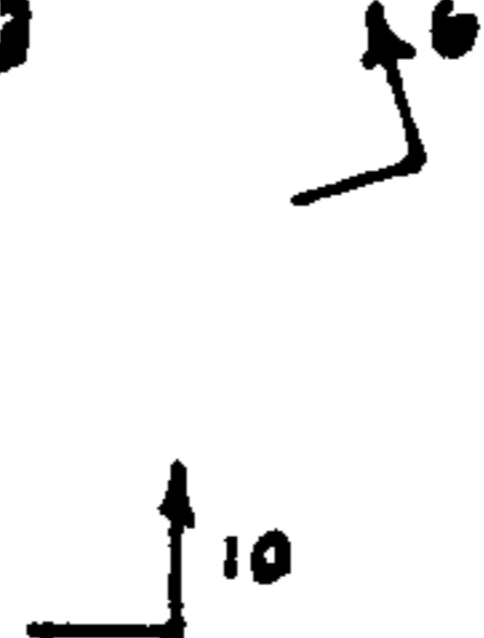
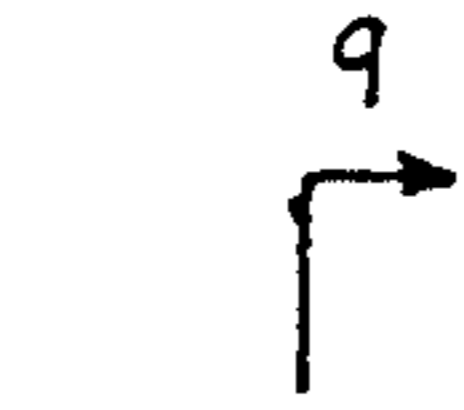
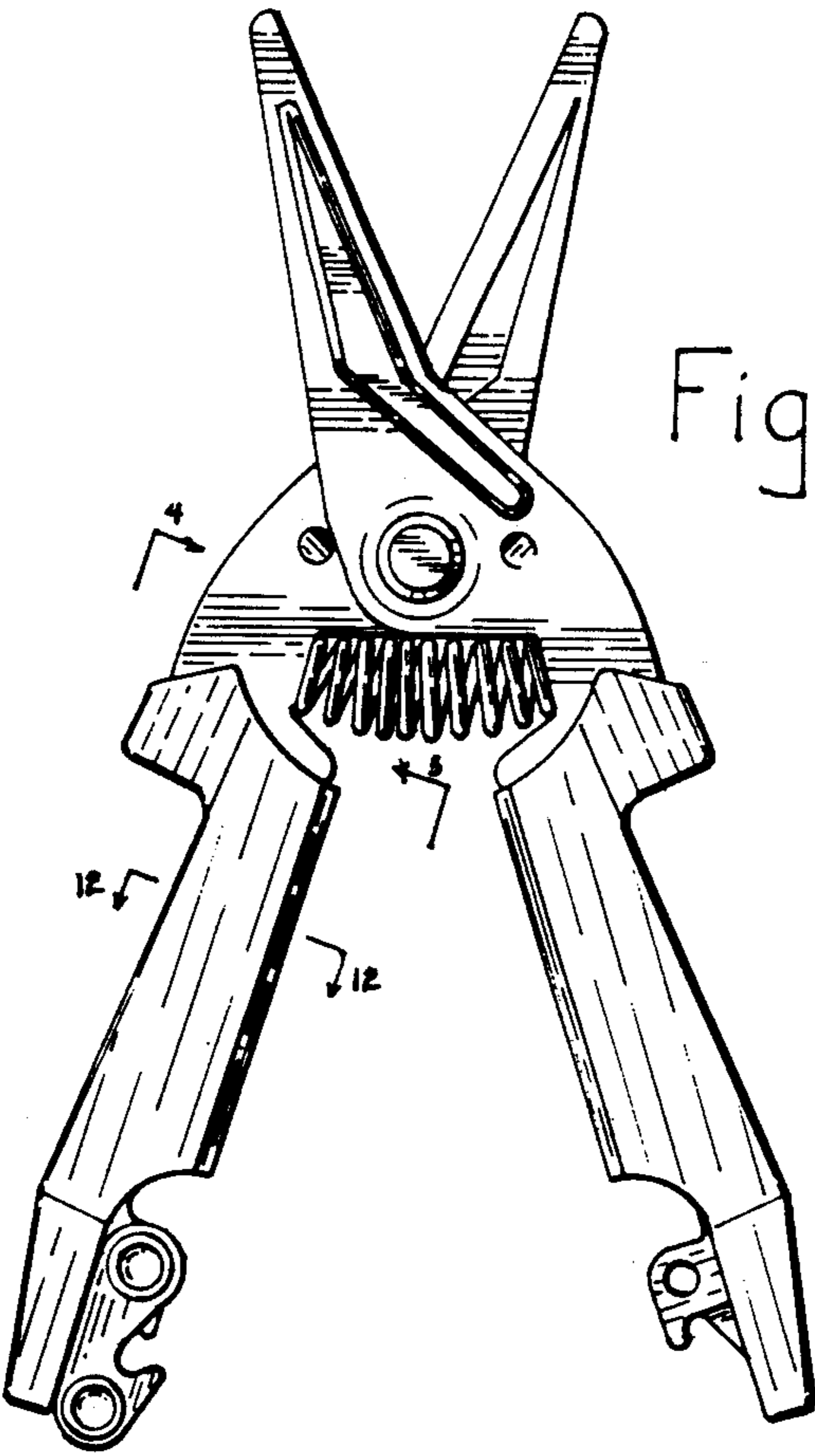
Fig. 10



Fig. 9



Fig. 3



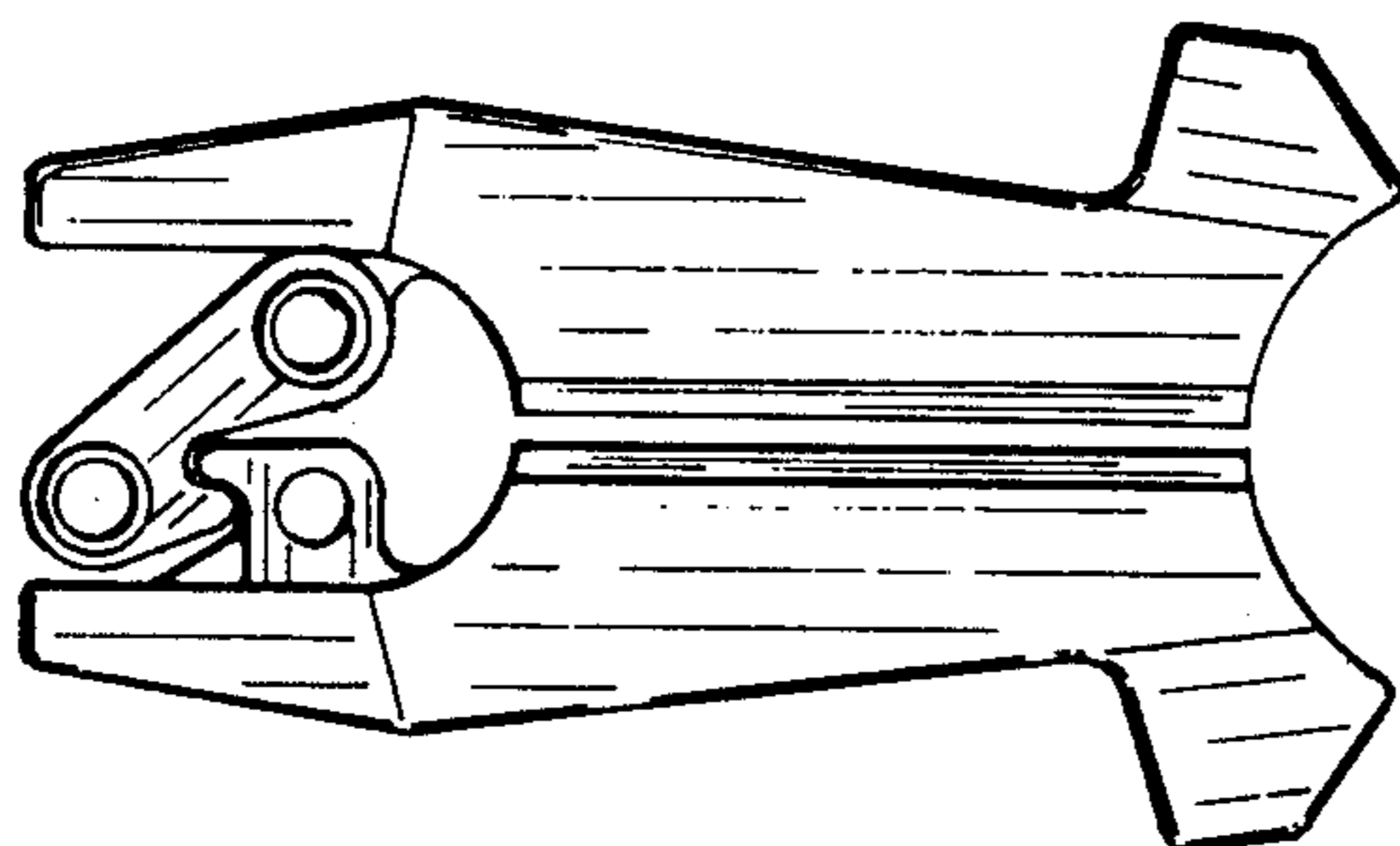


Fig. 11



Fig. 4



Fig. 5



Fig. 8



Fig. 7



Fig. 6

UNITED STATES PATENT AND TRADEMARK OFFICE
CERTIFICATE OF CORRECTION

PATENT NO. : Des. 256541
DATED : **August 26, 1980**
INVENTOR(S) : **PETER OWEN DAVIES**

It is certified that error appears in the above-identified patent and that said Letters Patent are hereby corrected as shown below:

[30] Foreign Priority Data should read:

Nov. 21, 1977 New Zealand 15242

Signed and Sealed this

Eighteenth Day of November 1980

[SEAL]

Attest:

SIDNEY A. DIAMOND

Attesting Officer

Commissioner of Patents and Trademarks