

[54] NEWSPAPER BURNING GRATE

[76] Inventor: **Carmine Conti**, 790 Albermarle St.,
Wyckoff, N.J. 07481

[**] Term: **14 Years**

[21] Appl. No.: **932,683**

[22] Filed: **Aug. 10, 1978**

[51] Int. Cl. **D7-08; D6-04**

[52] U.S. Cl. **D7/207; D6/181;**
D7/71

[58] Field of Search **D7/71, 206, 207, 211,**
D7/212; D6/85, 189, 184, 157; 126/298, 152 R,
164, 165; 211/60 R, 13, 71, 74, 86, 87

[56] **References Cited**

U.S. PATENT DOCUMENTS

D. 157,747 3/1950 Feist D6/181

D. 197,102 12/1963 Pryor D7/212 X
D. 232,014 7/1974 Coleman D7/211 X

OTHER PUBLICATIONS

Industrial Design-Mar. 1962-p. 90-Invento Wine Rack.

Primary Examiner—Catherine E. Kemper

Attorney, Agent, or Firm—James J. Cannon, Jr.

[57] **CLAIM**

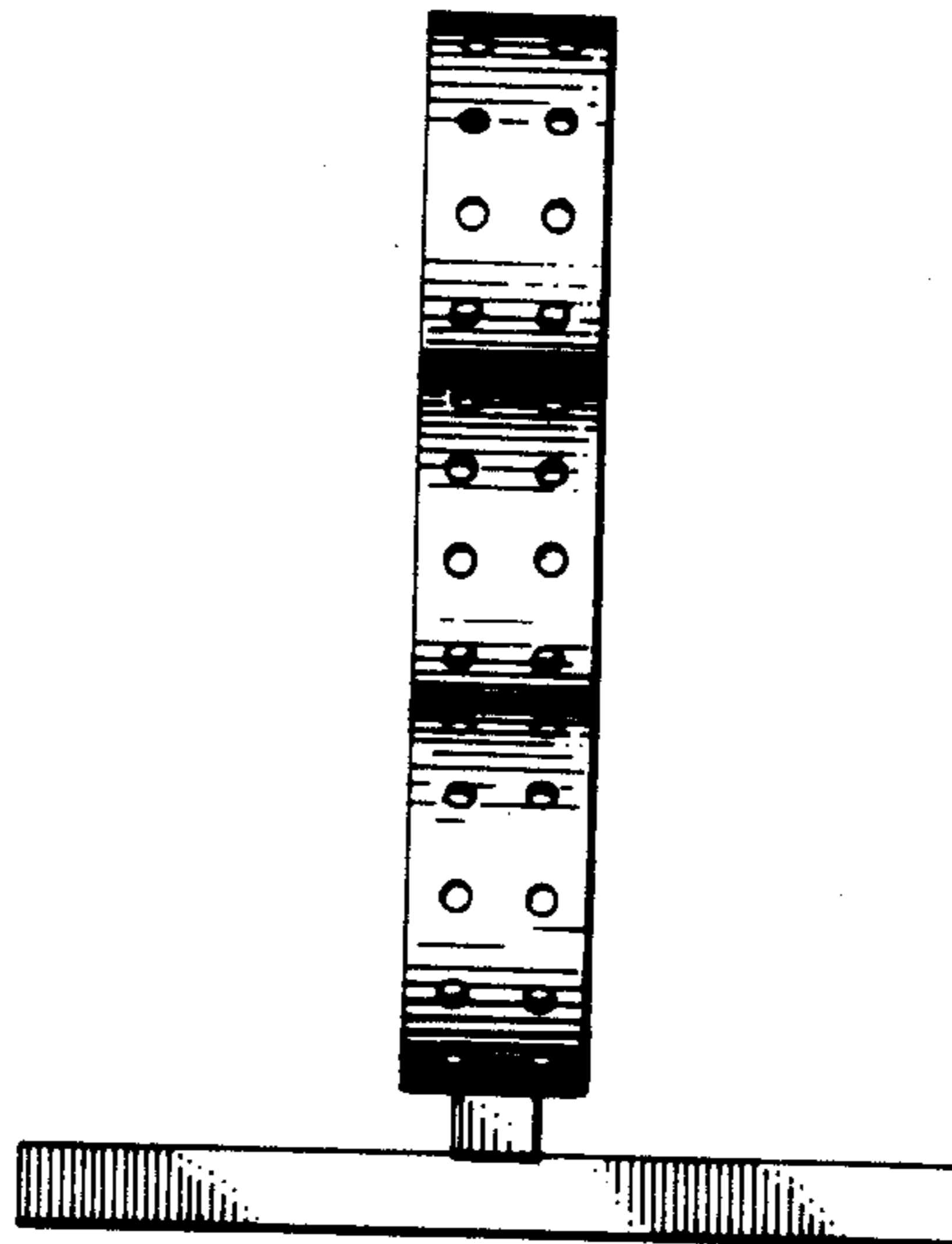
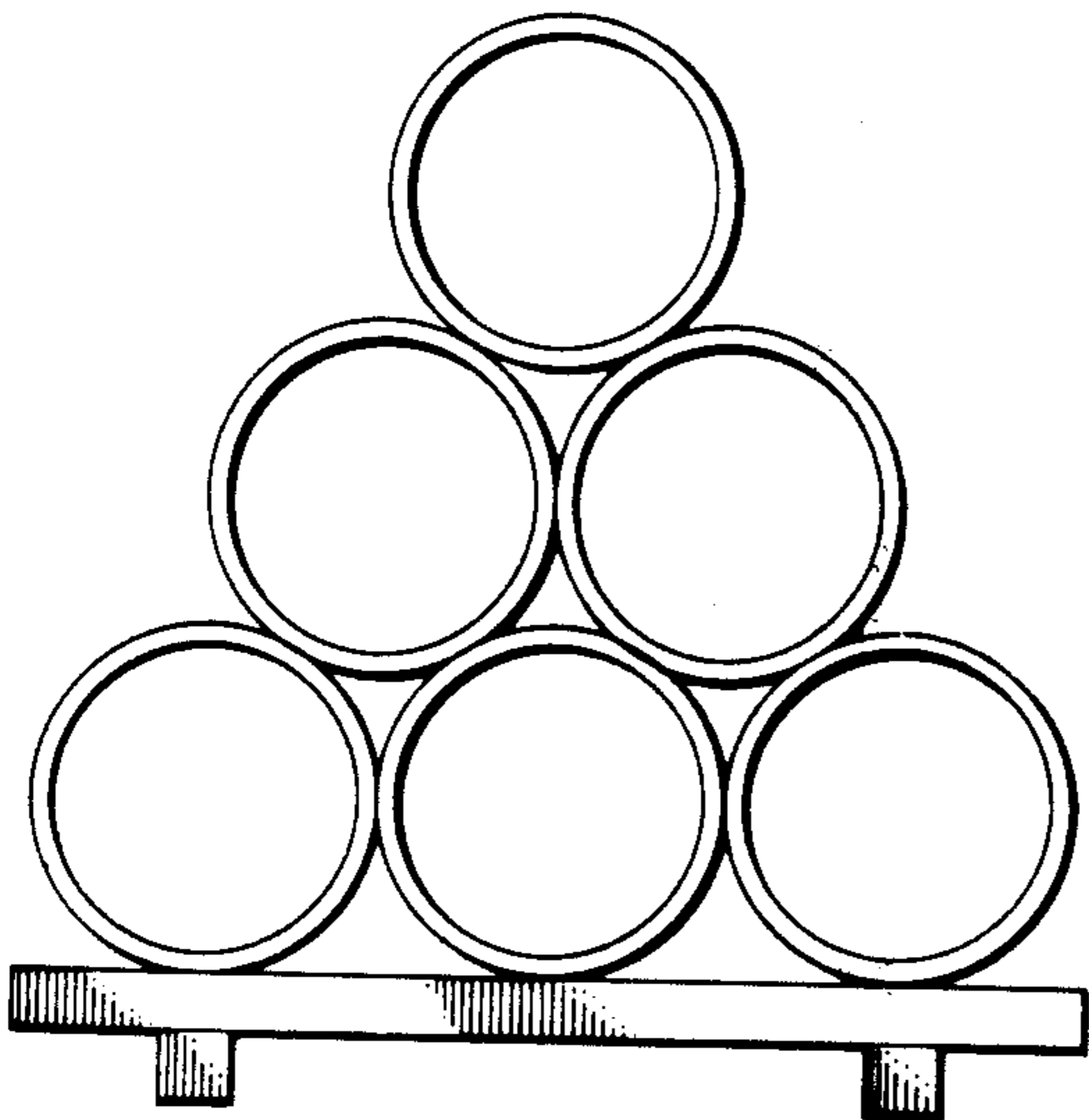
The ornamental design for a newspaper burning grate,
as shown.

DESCRIPTION

FIG. 1 is a front elevational view of a newspaper burn-
ing grate, showing my new design, the rear elevation
being identical thereto;

FIG. 2 is a side elevational view, the opposite side being
identical thereto;

FIG. 3 is a top plan view thereof.



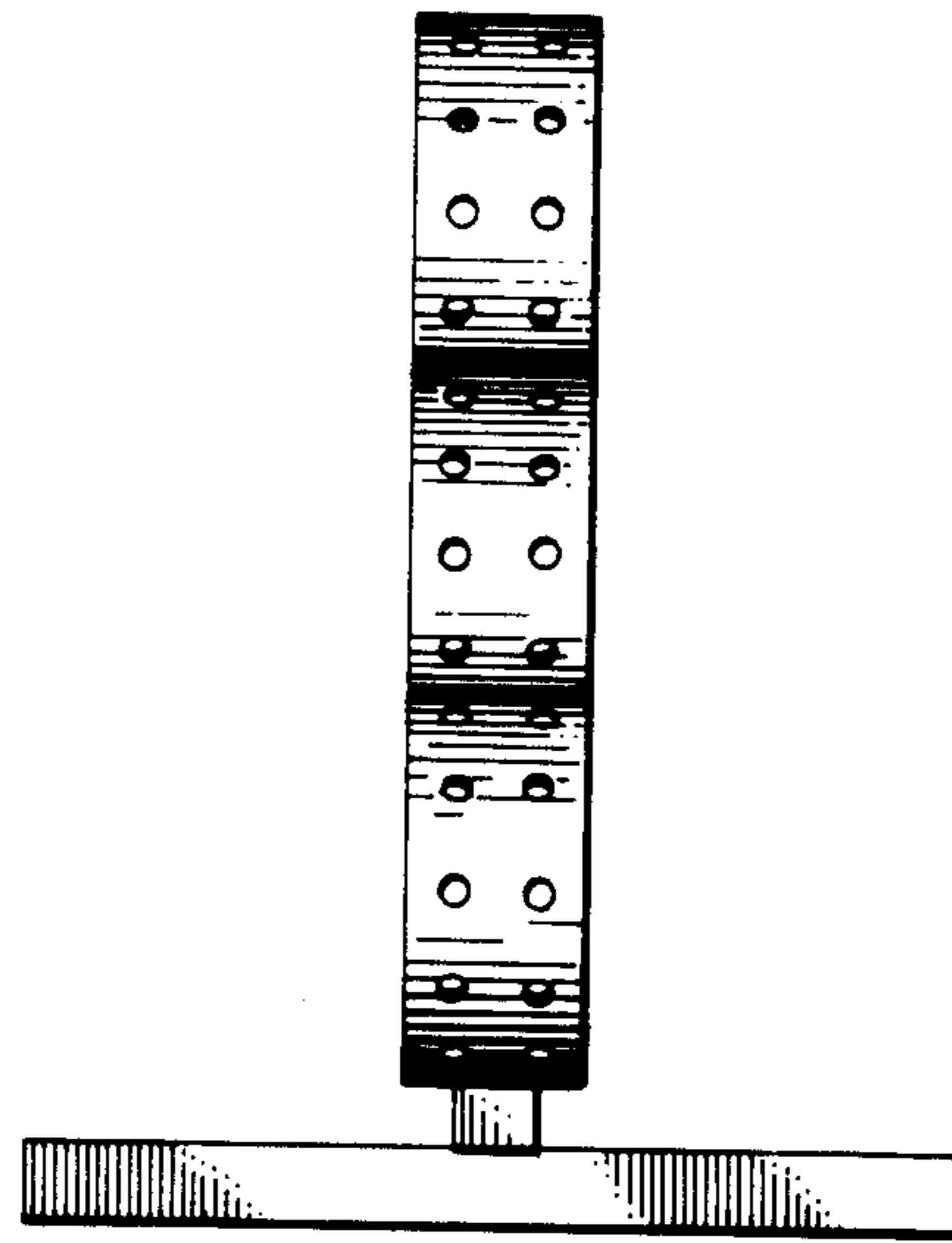
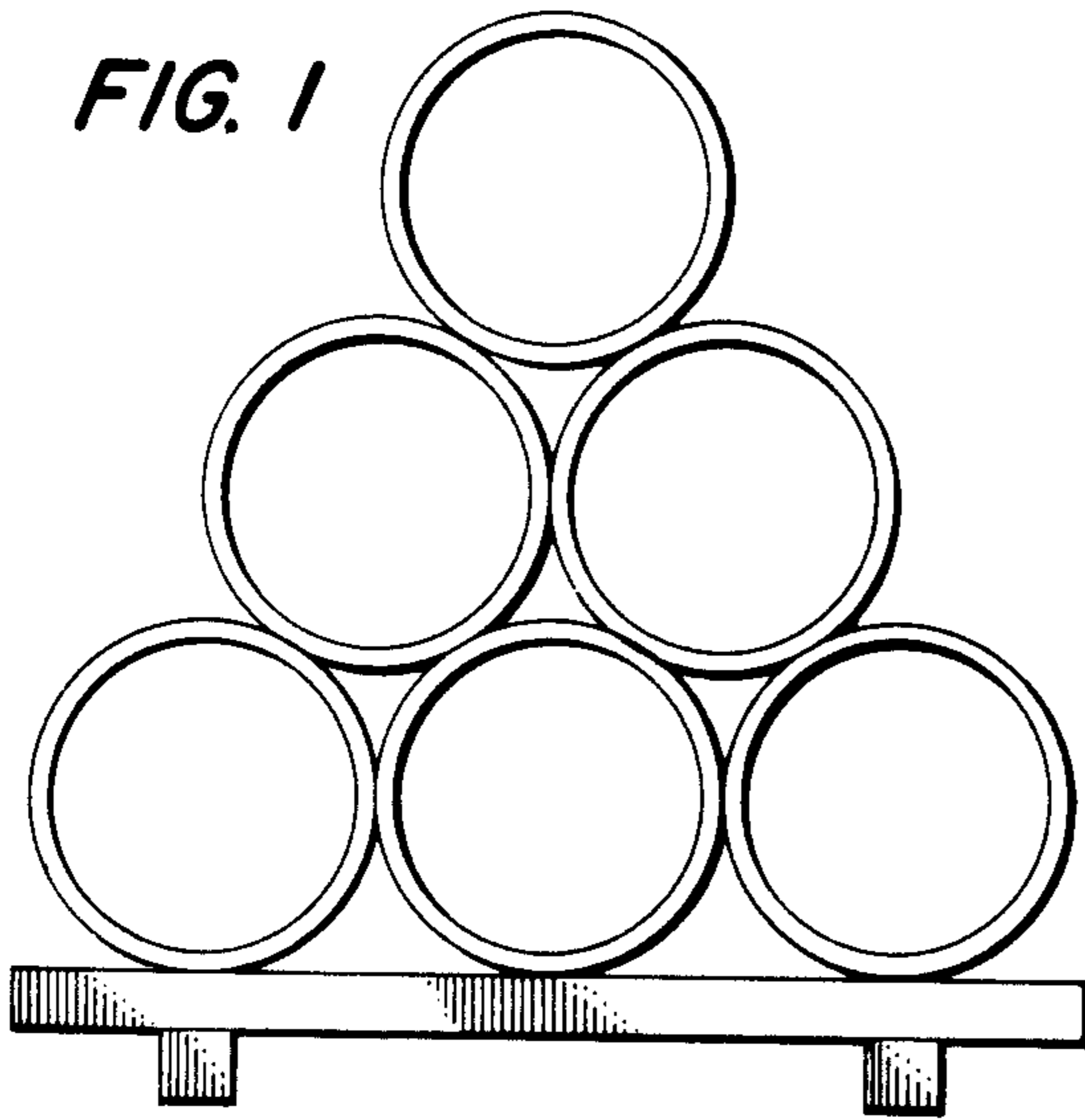


FIG. 2

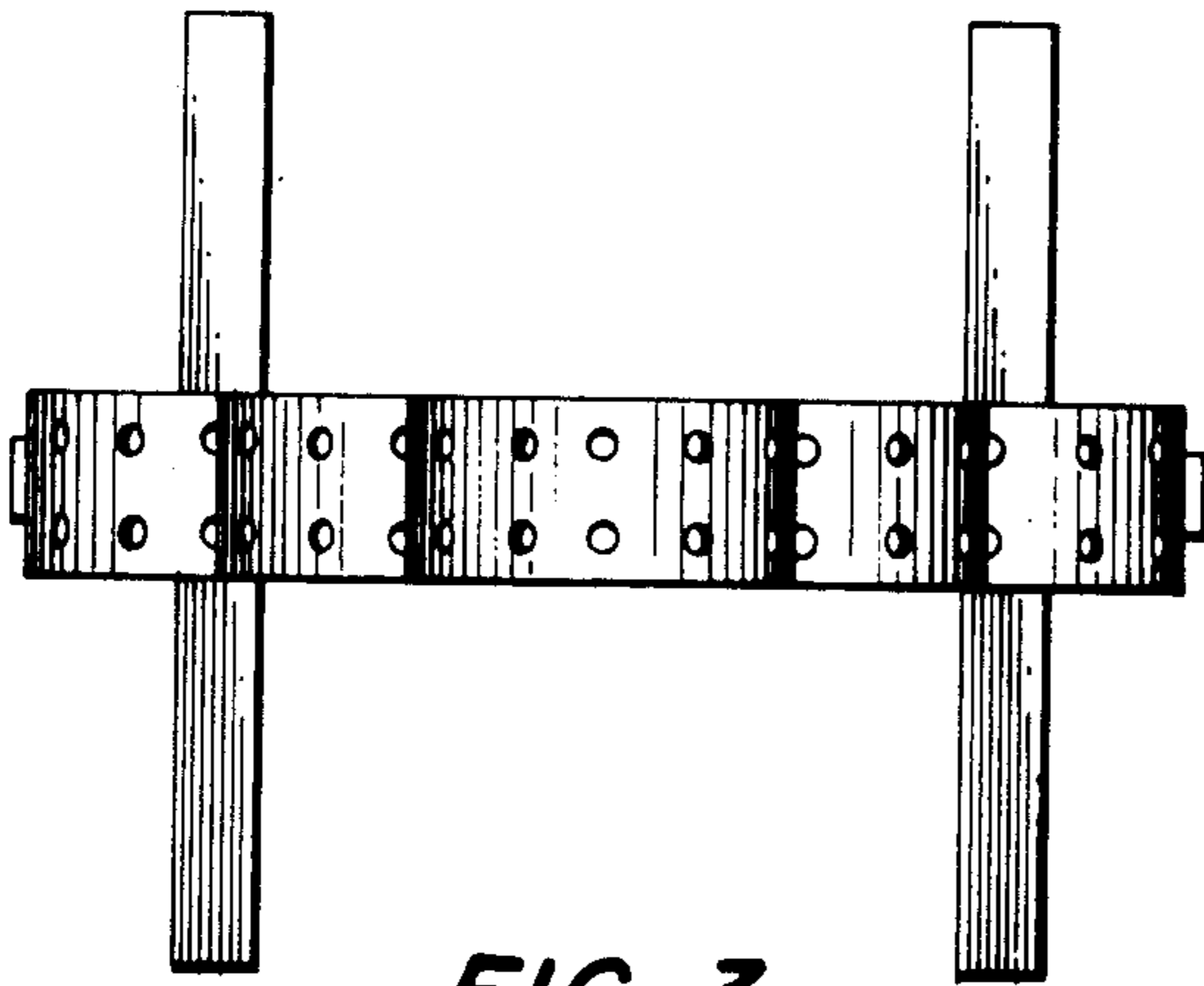


FIG. 3