

[54] PORTABLE WORKBENCH

[75] Inventor: **Lorenzo E. Alessio**, Lecco, Italy
[73] Assignee: **Black & Decker Inc.**, Newark, Del.
[**] Term: **14 Years**
[21] Appl. No.: **880,251**
[22] Filed: **Feb. 22, 1978**

[51] Int. Cl. **D6-03**
[52] U.S. Cl. **D6/178**
[58] Field of Search **D6/157, 177, 179, 191;**
108/127, 144; 248/188.6

[56] **References Cited**

U.S. PATENT DOCUMENTS

D. 230,801	3/1974	Hickman	D6/179
D. 237,930	12/1975	Demmer	D6/179
D. 247,538	3/1978	Kocsis	D6/179 X
4,034,684	7/1977	Carson et al.	108/127

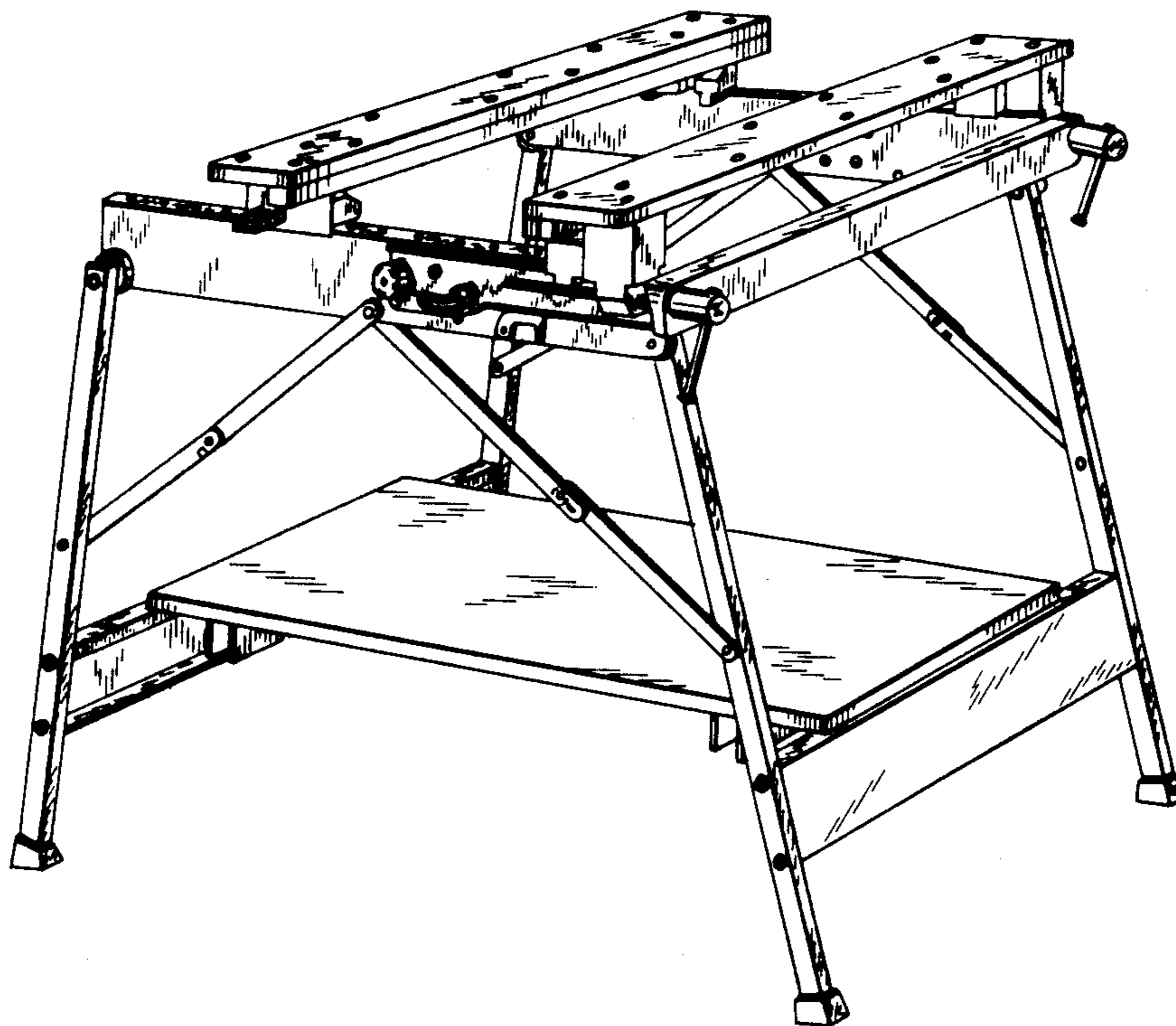
Primary Examiner—Bruce W. Dunkins
Attorney, Agent, or Firm—Walter Ottesen

[57] **CLAIM**

The ornamental design for a portable workbench, as shown and described.

DESCRIPTION

FIG. 1 is a perspective view of the portable workbench according to the design of my invention and equipped with two clamping members showing the two clamping members mutually adjacent so that their respective surfaces lie in a common substantially horizontal plane. FIG. 2 is also a perspective view of the portable workbench according to the design of my invention showing one of the clamping jaws positioned at an angle with respect to the other one of the clamping jaws. FIG. 3 is a perspective side elevation view of the portable workbench and shows the two clamping members mutually adjacent so that the respective upper surfaces lie in a common substantially horizontal plane. FIG. 4 is a perspective elevation view of the portable workbench shown in FIG. 1, wherein the left hand top member has been substituted by a third top member having a very large surface area. FIG. 5 is a perspective view of the portable workbench with the leg assembly in the collapsed position.



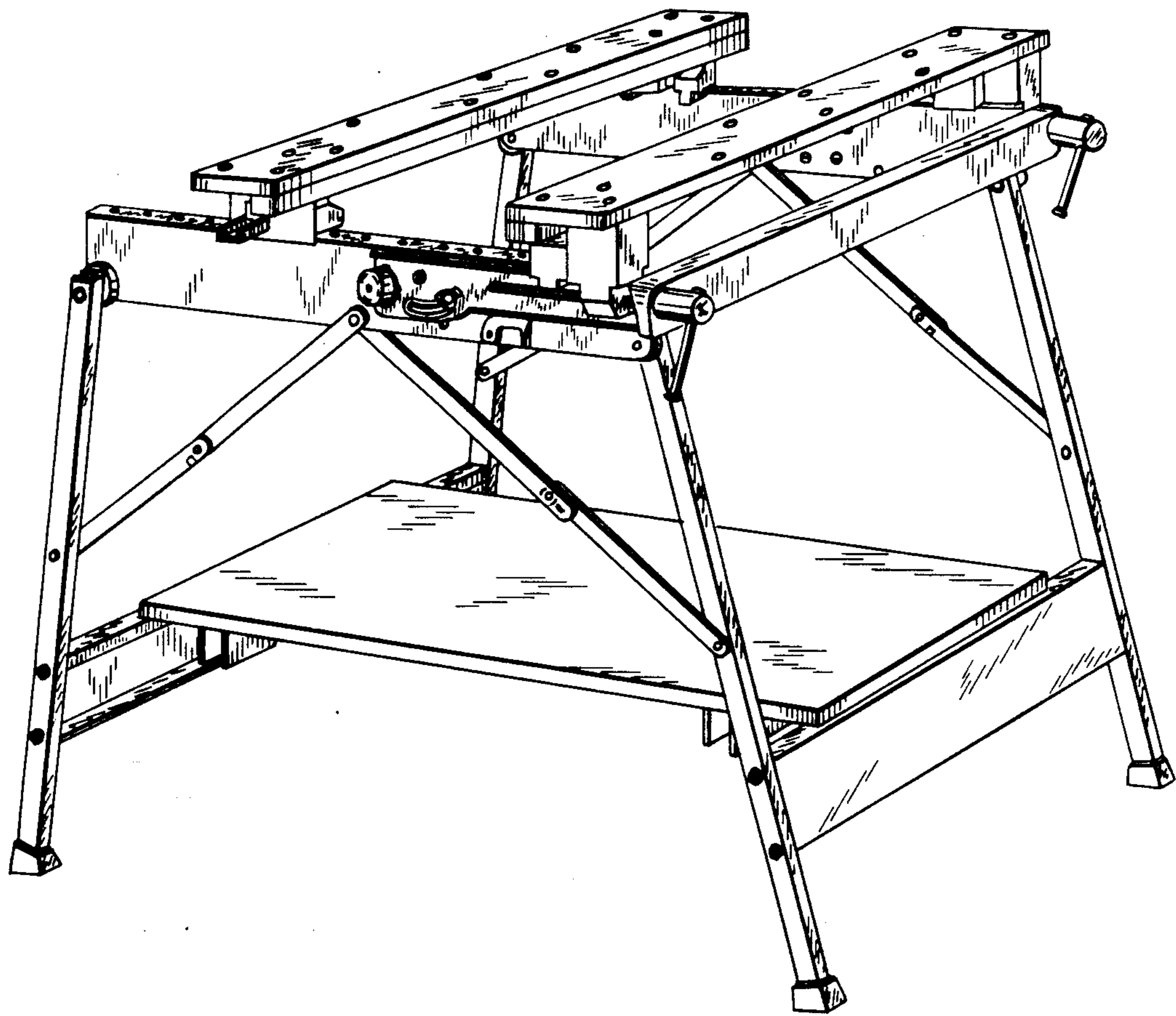


FIG. 1

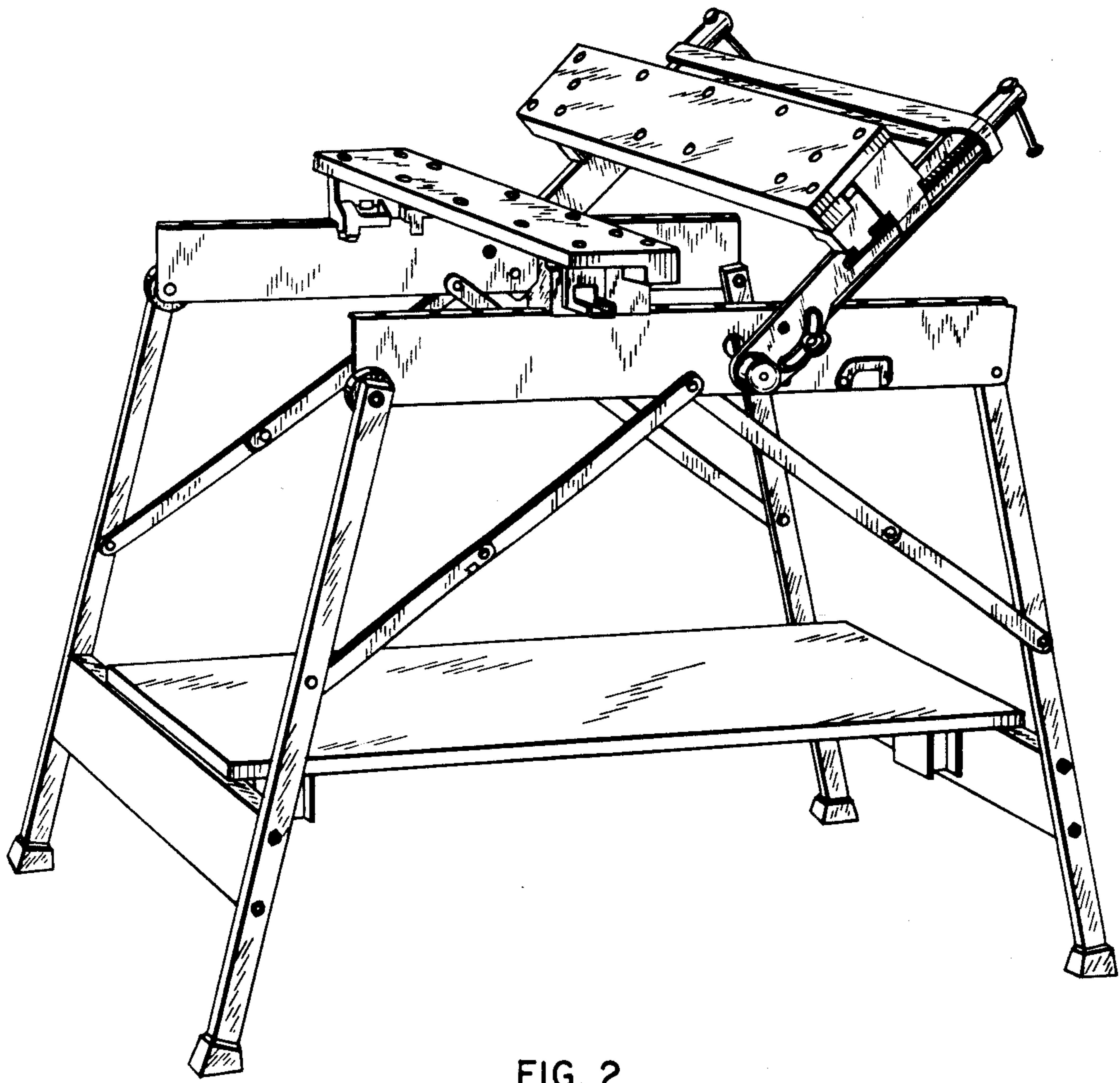


FIG. 2

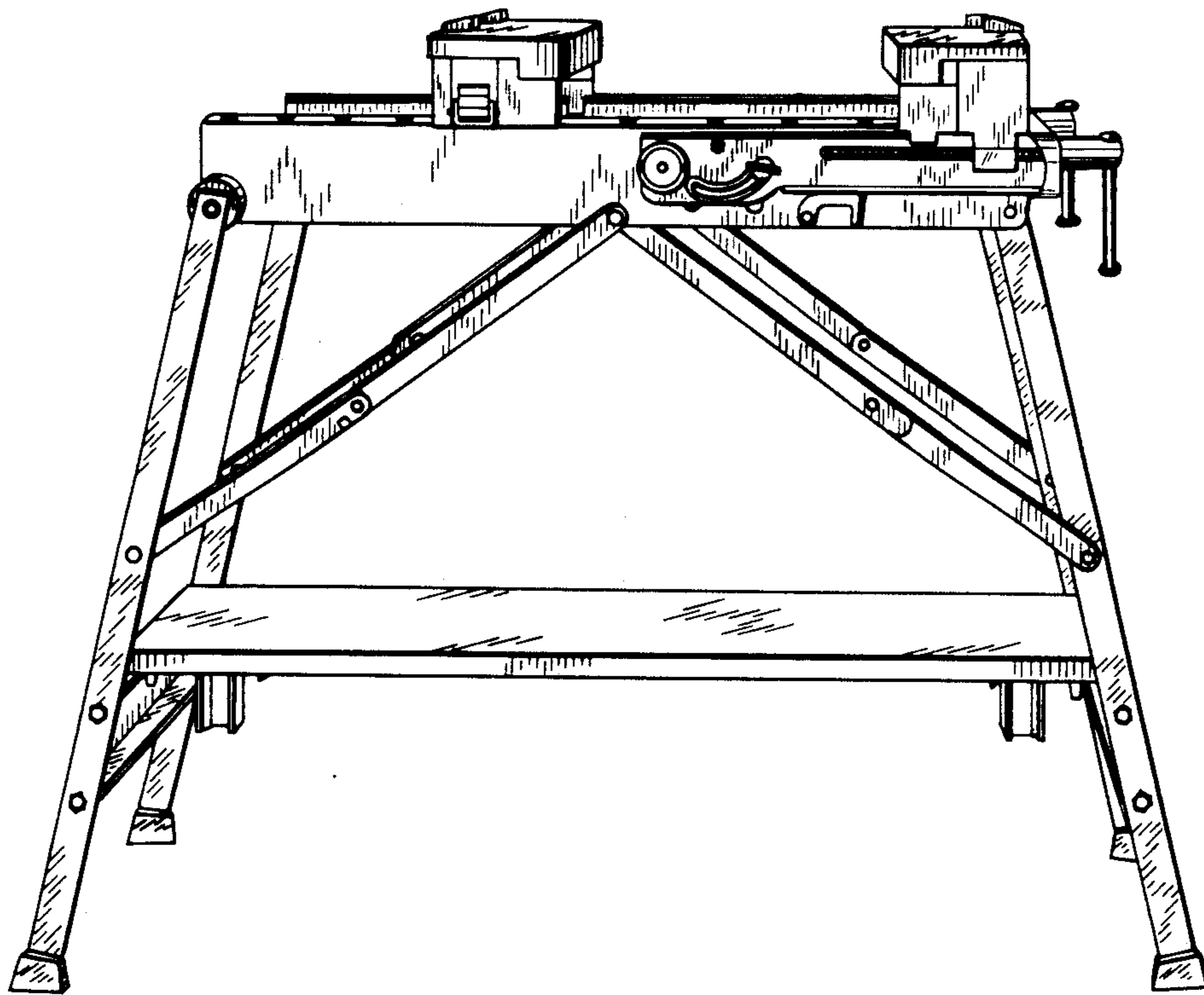


FIG. 3

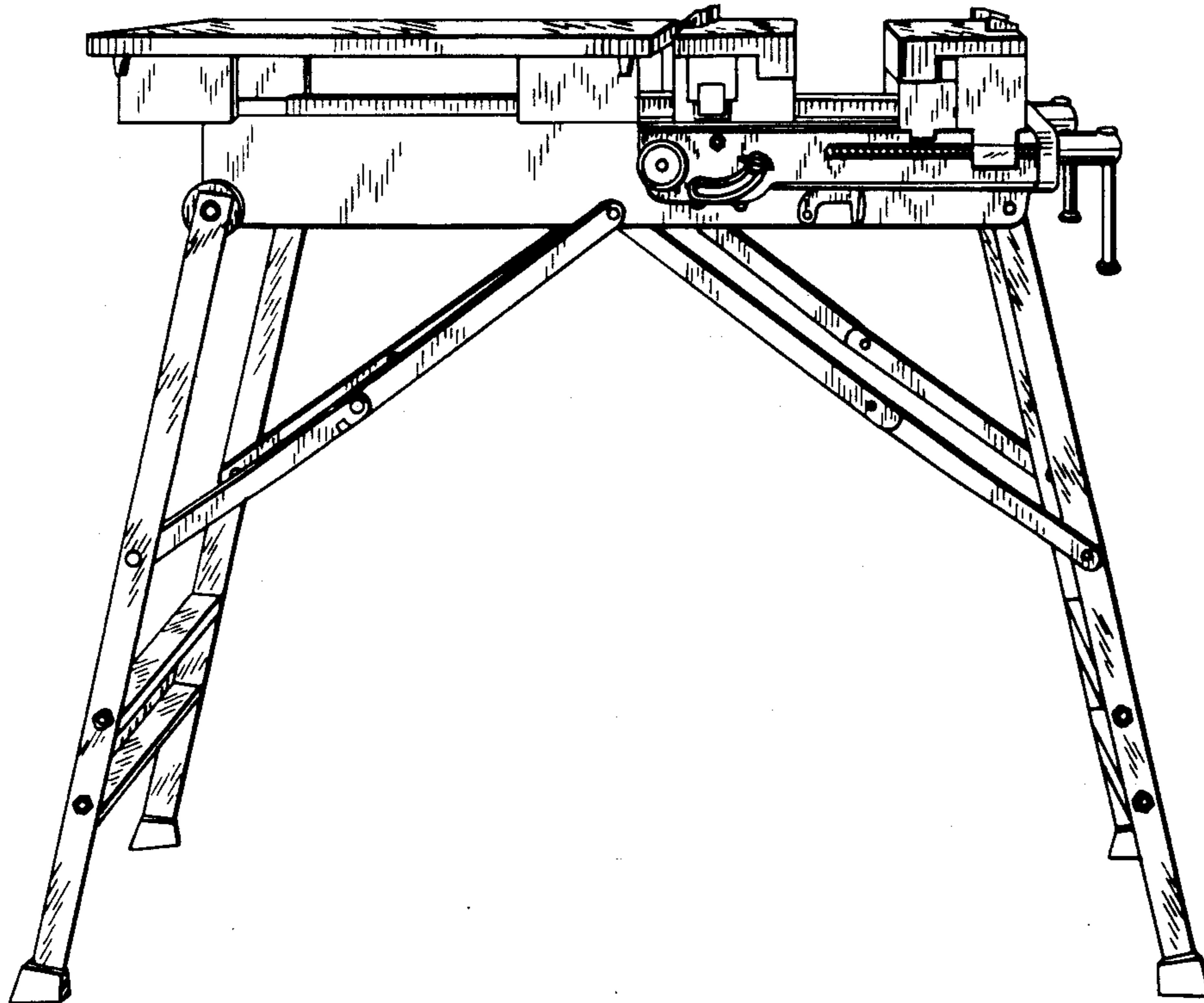


FIG. 4

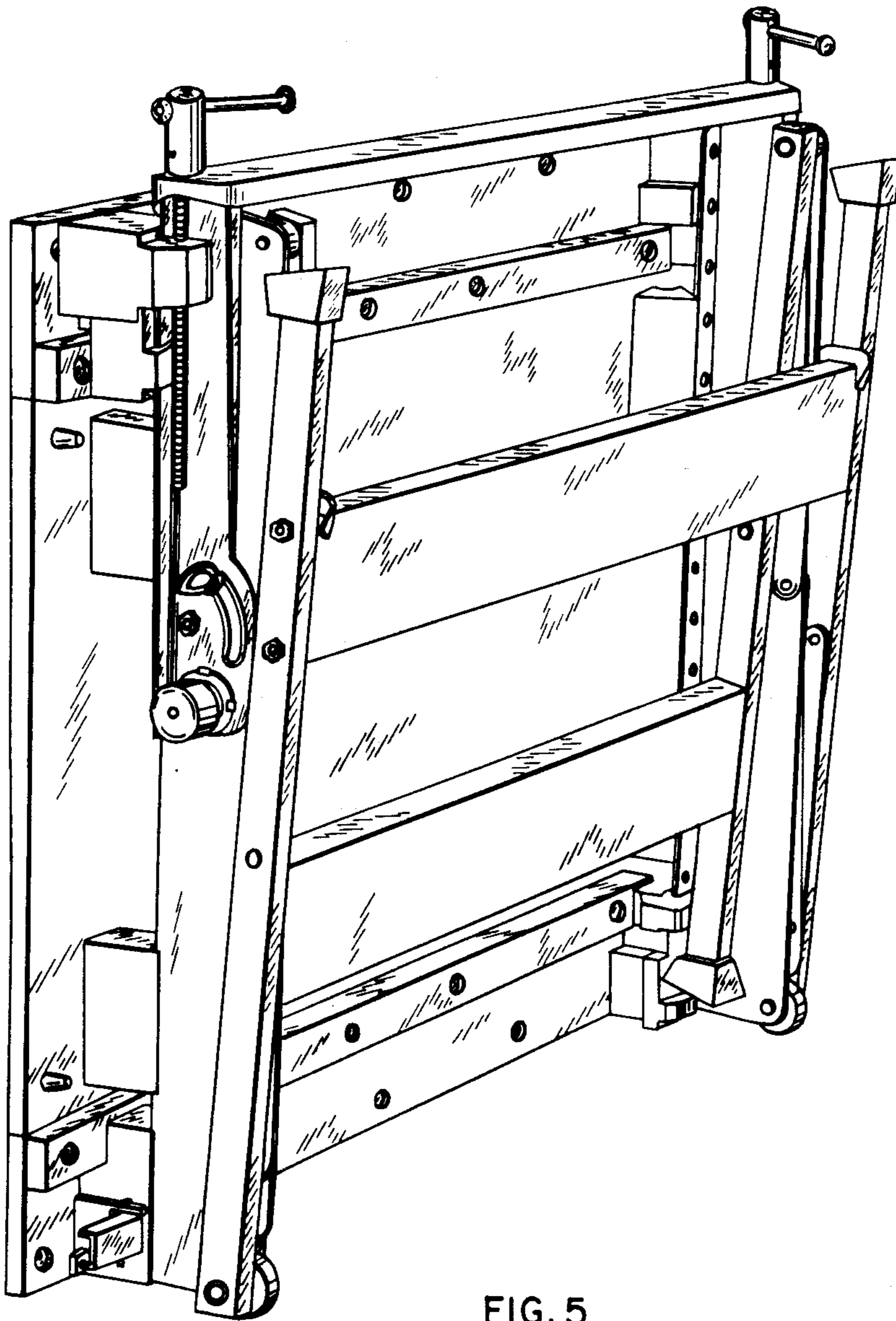


FIG. 5