

[54] HAIRSETTER

3,705,974 12/1972 Nilsson ..... 219/222

[75] Inventor: John Ryan, Stames, England

FOREIGN PATENT DOCUMENTS

[73] Assignee: Clairol Incorporated

2145181 3/1972 Fed. Rep. of Germany ..... 132/9

[\*\*] Term: 14 Years

Primary Examiner—Louis S. Zarfaz  
Attorney, Agent, or Firm—David J. Mugford

[21] Appl. No.: 894,785

[57] CLAIM

[22] Filed: Apr. 10, 1978

The ornamental design for a hairsetter, as shown and described.

[51] Int. Cl. .... D28—03

[52] U.S. Cl. .... D28/38

[58] Field of Search ..... D28/10, 15, 38; 132/7,  
132/9; 219/222

DESCRIPTION

FIG. 1 is a top plan view of a hairsetter showing my new design.

FIG. 2 is a bottom plan view thereof;

FIG. 3 is a left side elevational view thereof;

FIG. 4 is a rear elevational view thereof;

FIG. 5 is a front elevational view; and

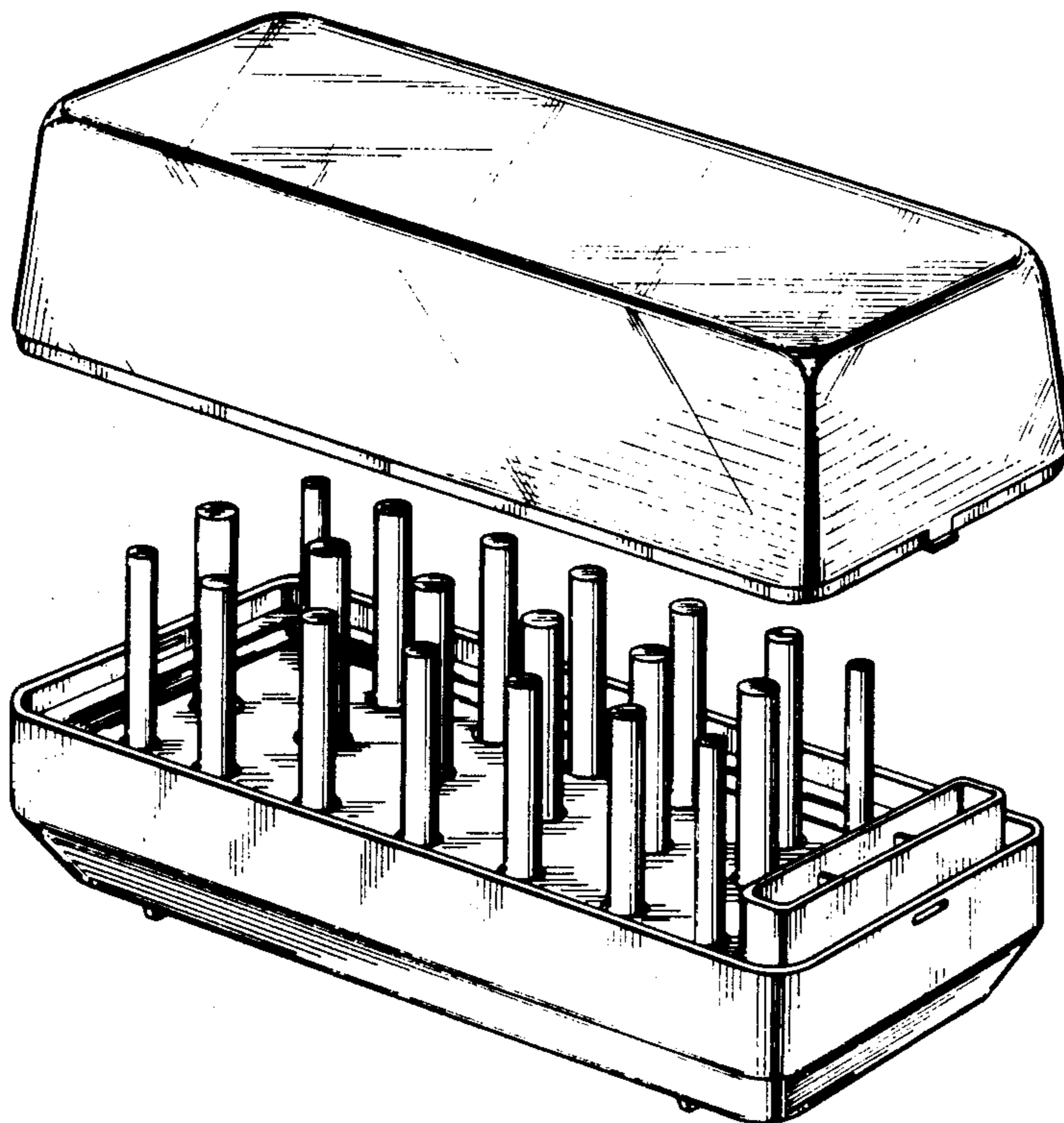
FIG. 6 is a perspective view thereof showing the cover of the hairsetter removed.

[56]

References Cited

U.S. PATENT DOCUMENTS

D. 217,201	4/1970	Moffatt	.....	D28/38
D. 217,202	4/1970	Moffatt	.....	D28/38
D. 217,203	4/1970	Moffatt	.....	D28/38



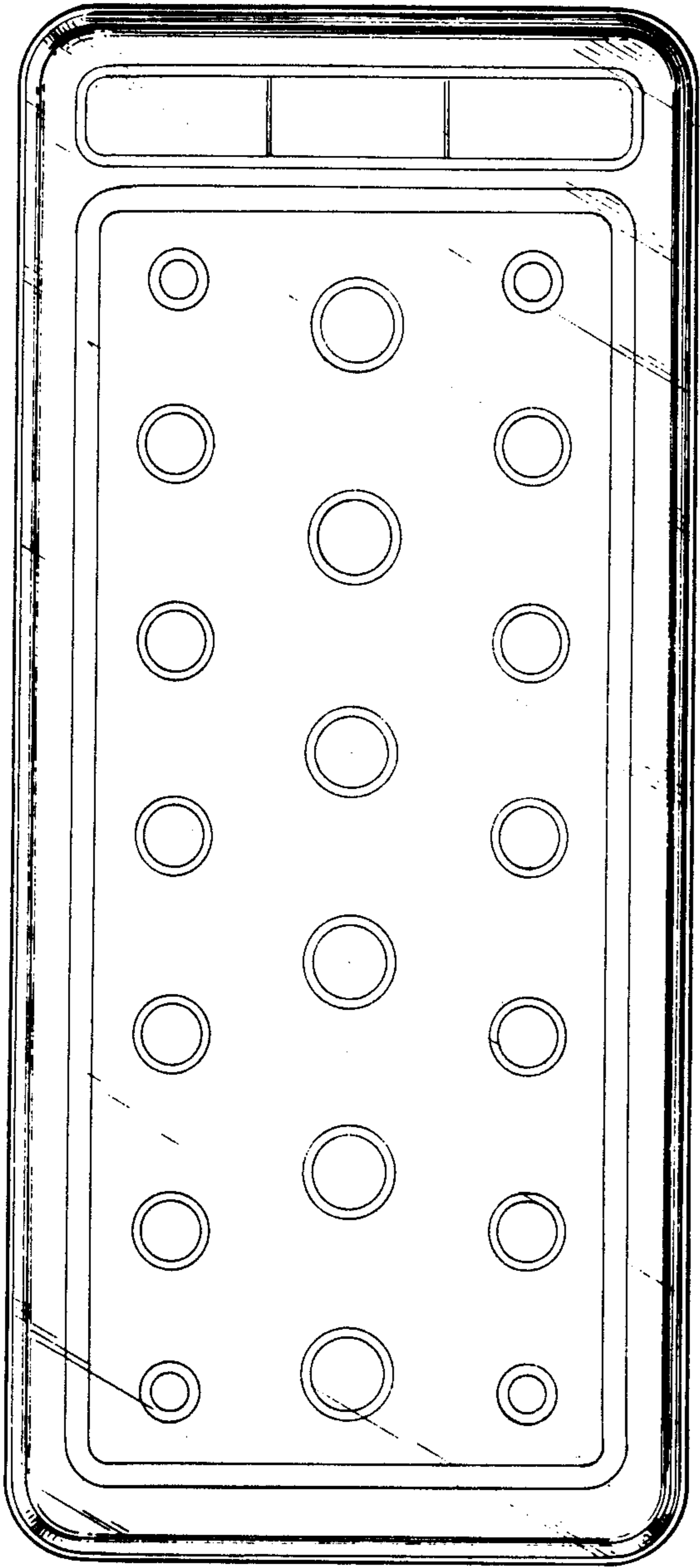


Fig. 1.

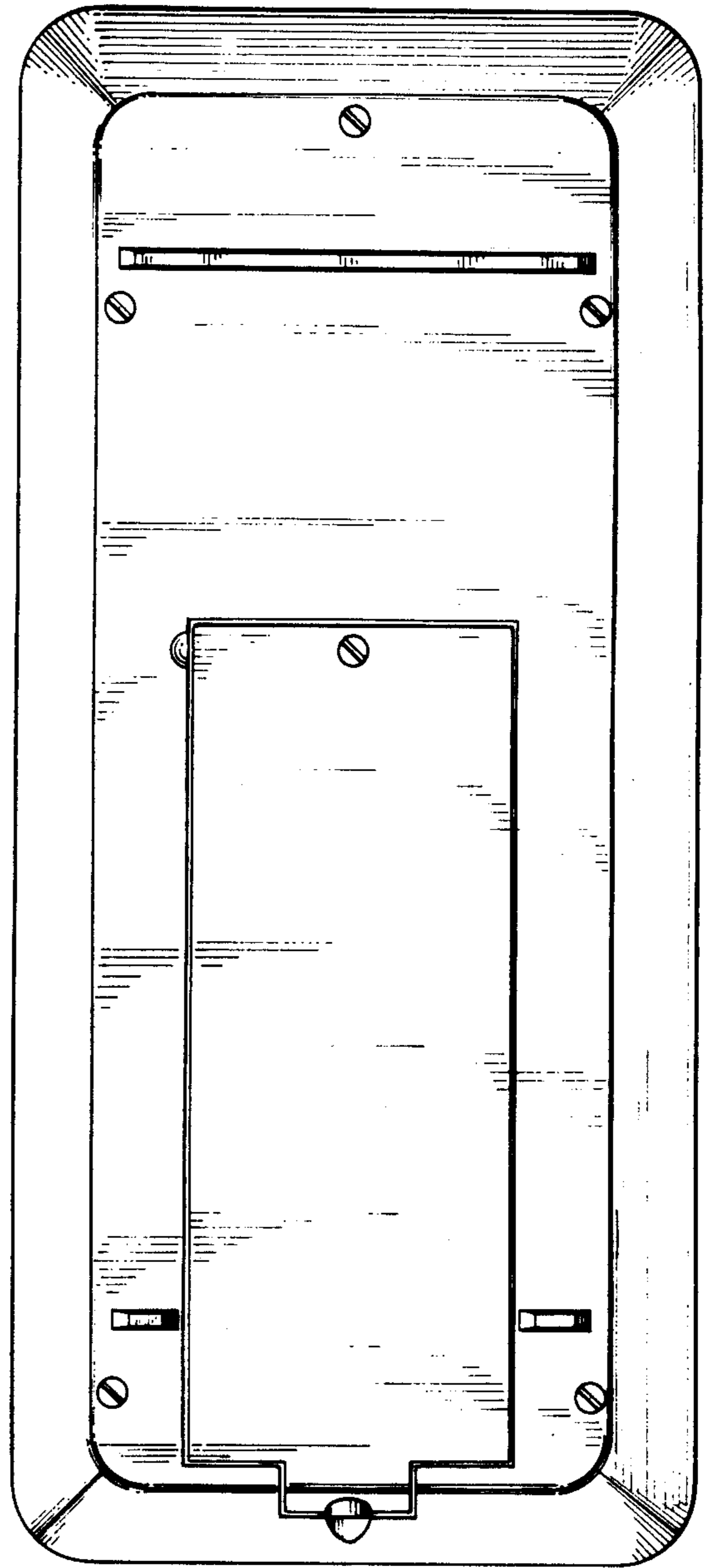


Fig. 2.

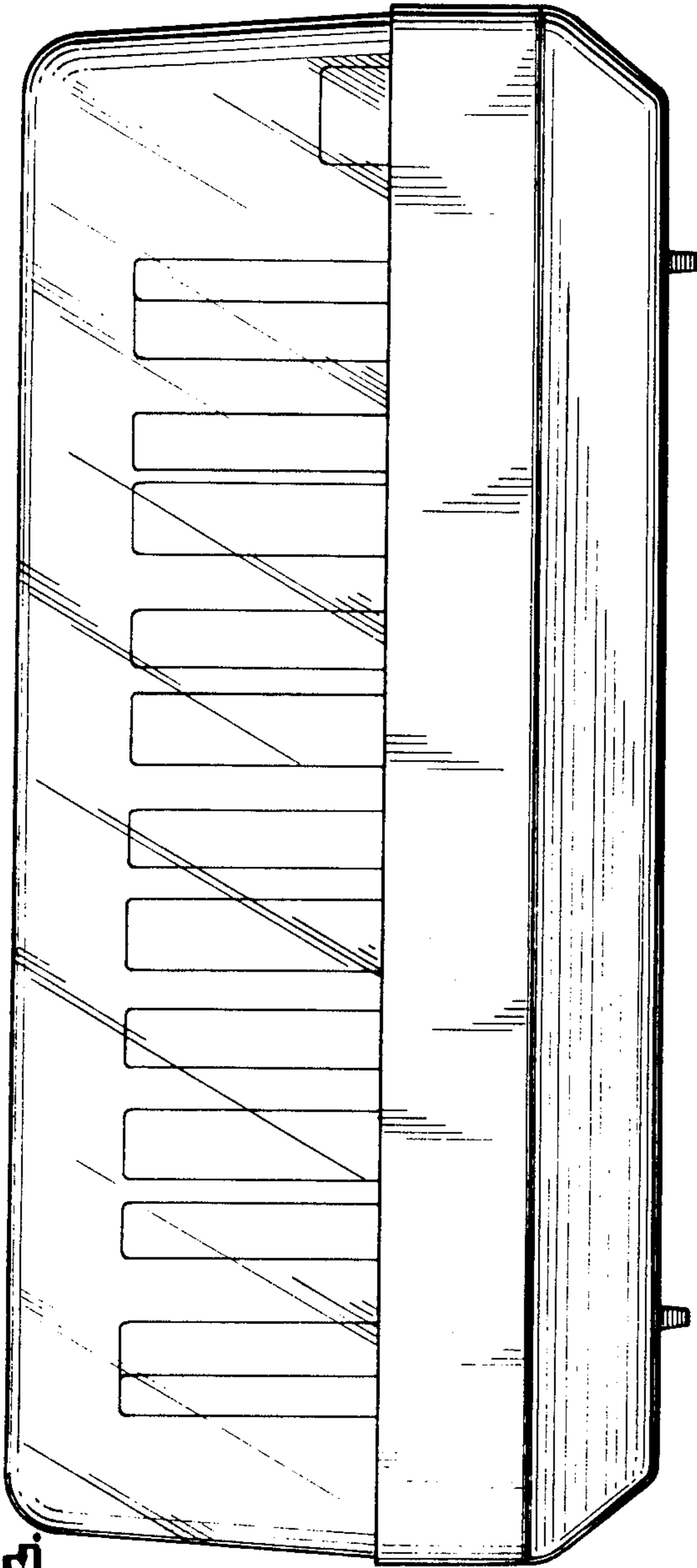


Fig. 2.

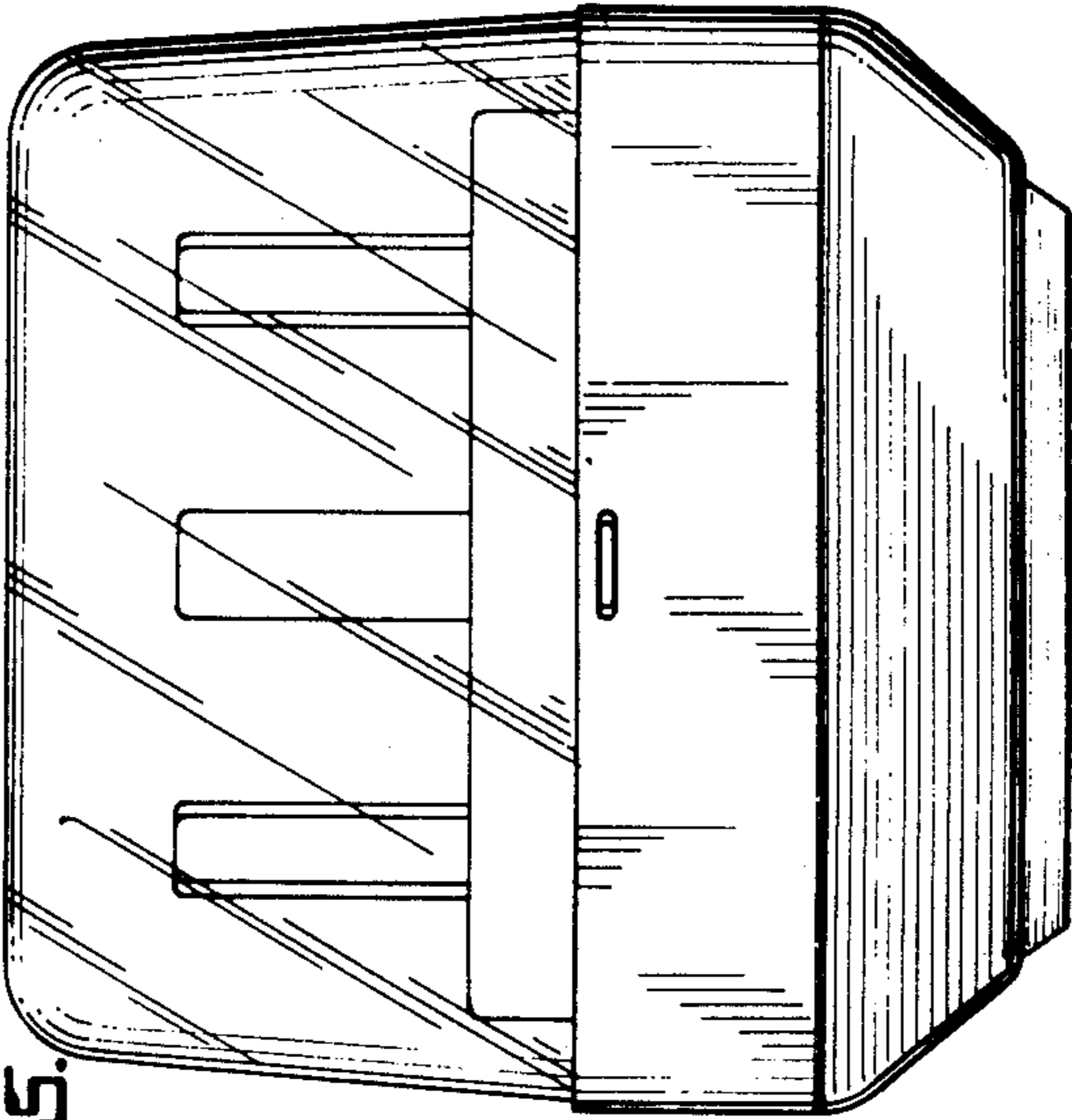


Fig. 3.

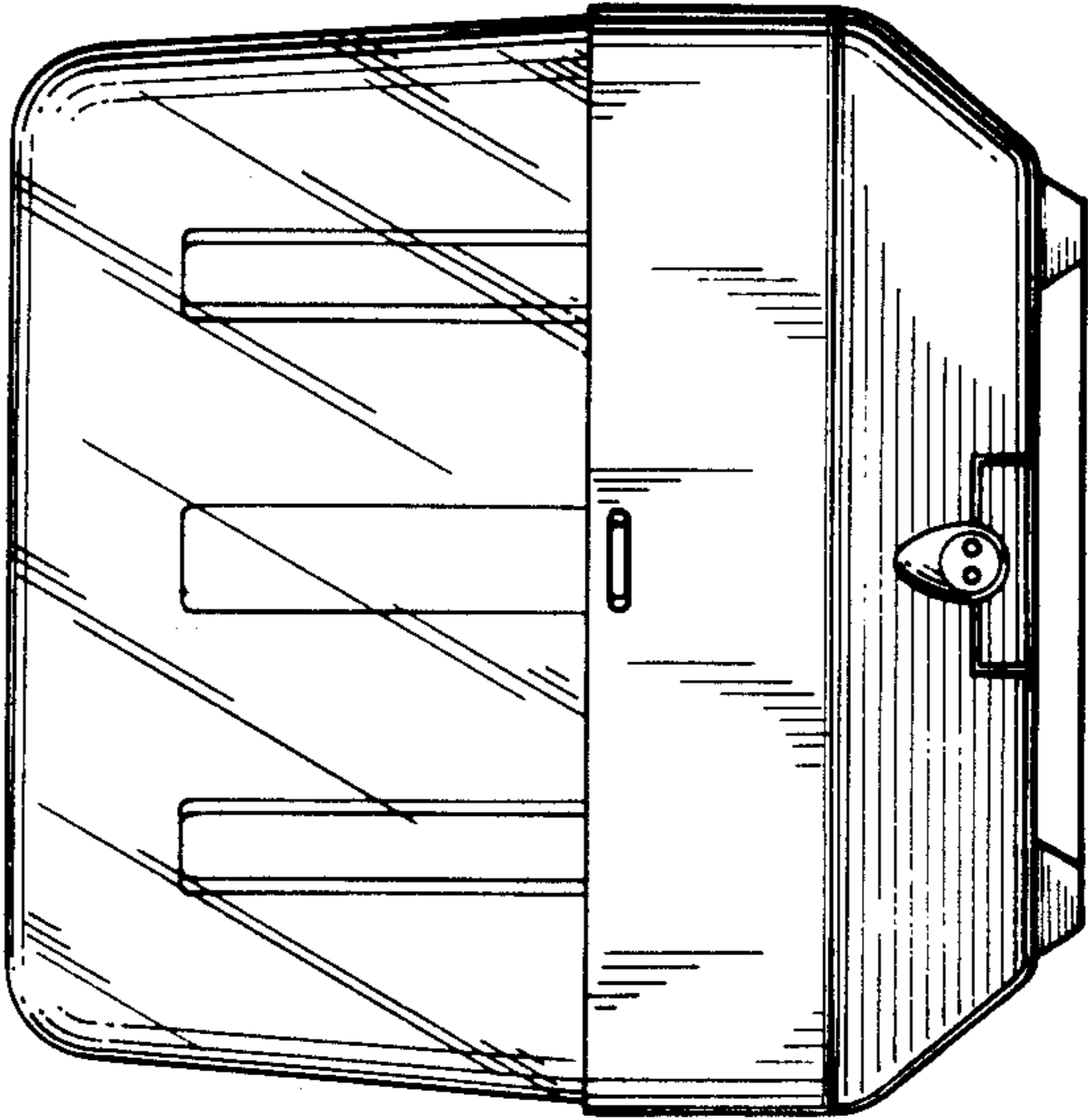


Fig. 4.



Fig. 6.

