

[54] **HAND ENGAGEABLE  
CARDIO-PULMONARY RESUSCITATIVE  
DEVICE OR THE LIKE**

3,401,686	9/1968	Edwards	128/28
3,503,388	3/1970	Cook	128/28
3,777,744	12/1973	Fryfogle et al.	128/28
4,059,099	11/1977	Davis	128/28

[75] Inventor: **Belford L. Davis**, Jacksonville, Fla.

*Primary Examiner*—Bernard Ansher  
*Attorney, Agent, or Firm*—George H. Baldwin

[73] Assignee: **Cardiacconcepts Corporation**,  
Jacksonville, Fla.

[57] **CLAIM**

[\*\*] Term: **14 Years**

The ornamental design for a hand engageable cardio-pulmonary resuscitative device or the like, substantially as shown and described.

[21] Appl. No.: **868,135**

[22] Filed: **Jan. 9, 1978**

**DESCRIPTION**

[51] Int. Cl. .... **D24—02**

FIG. 1 is a front elevation of a hand engageable cardio-pulmonary resuscitative device or the like, showing my new design;

[52] U.S. Cl. .... **D24/41; D24/99**

FIG. 2 is a side elevation thereof;

[58] Field of Search ..... 128/28, 51, 60, 67;  
D24/41, 99

FIG. 3 is a top plan view thereof;

FIG. 4 is a bottom plan view of the embodiment of the device illustrated in FIGS. 1 and 3;

FIG. 5 is a bottom plan view of the modified embodiment of the device illustrated in FIGS. 1 and 3; and

FIG. 6 is a front elevation thereof.

[56] **References Cited**

**U.S. PATENT DOCUMENTS**

D. 214,111	5/1969	Anderson	D24/41
D. 222,570	11/1971	Rowley et al.	D24/41

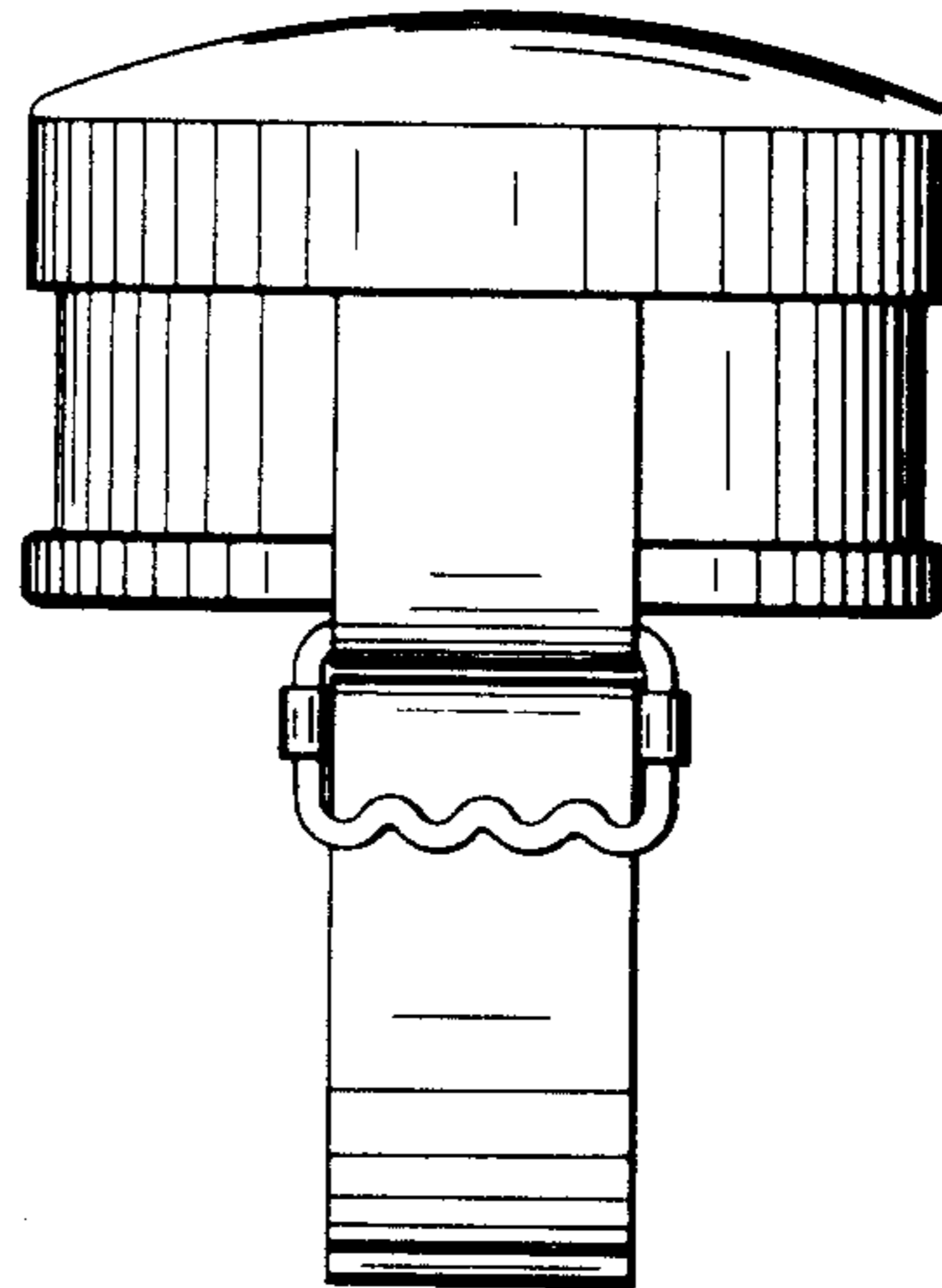
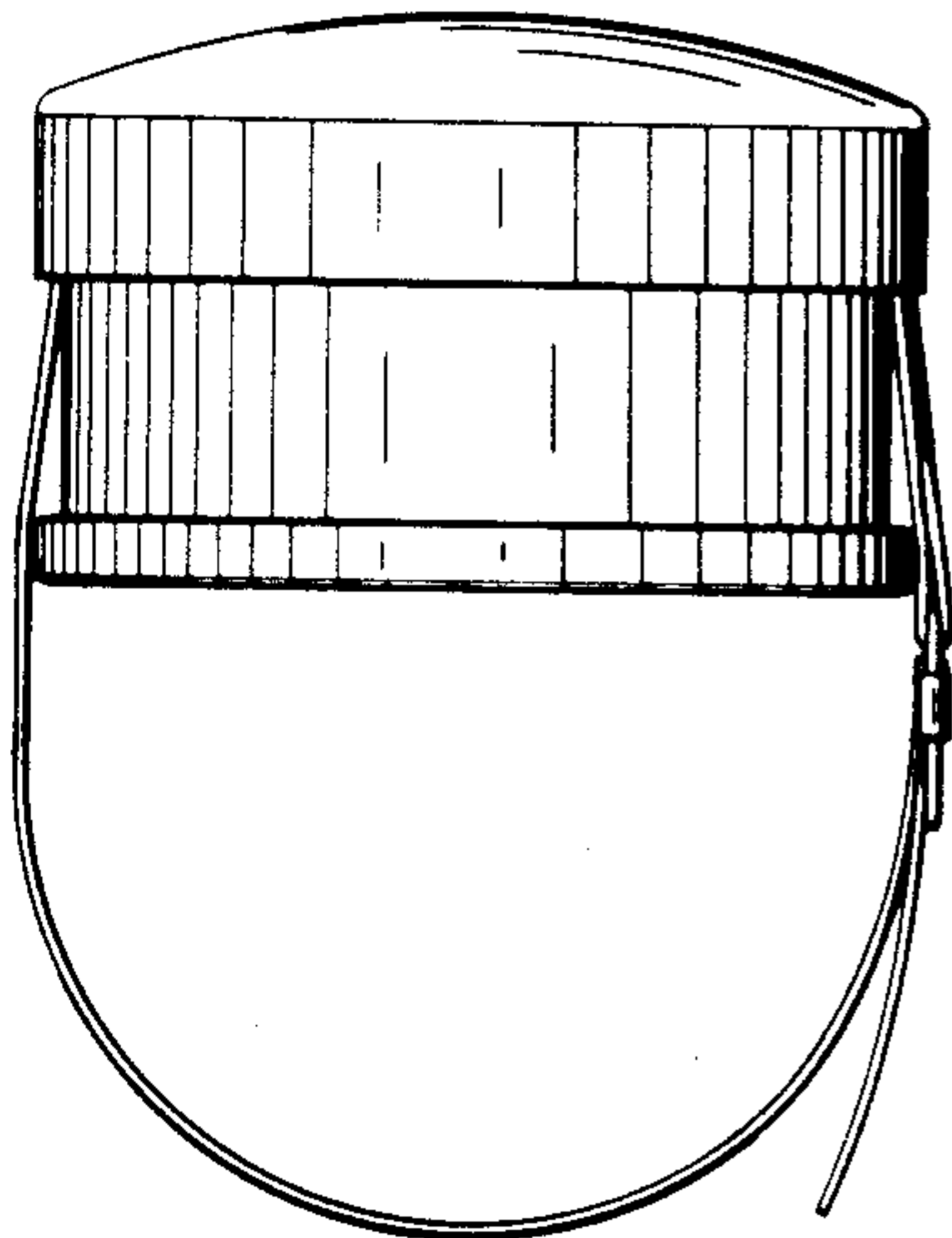


FIG. 1

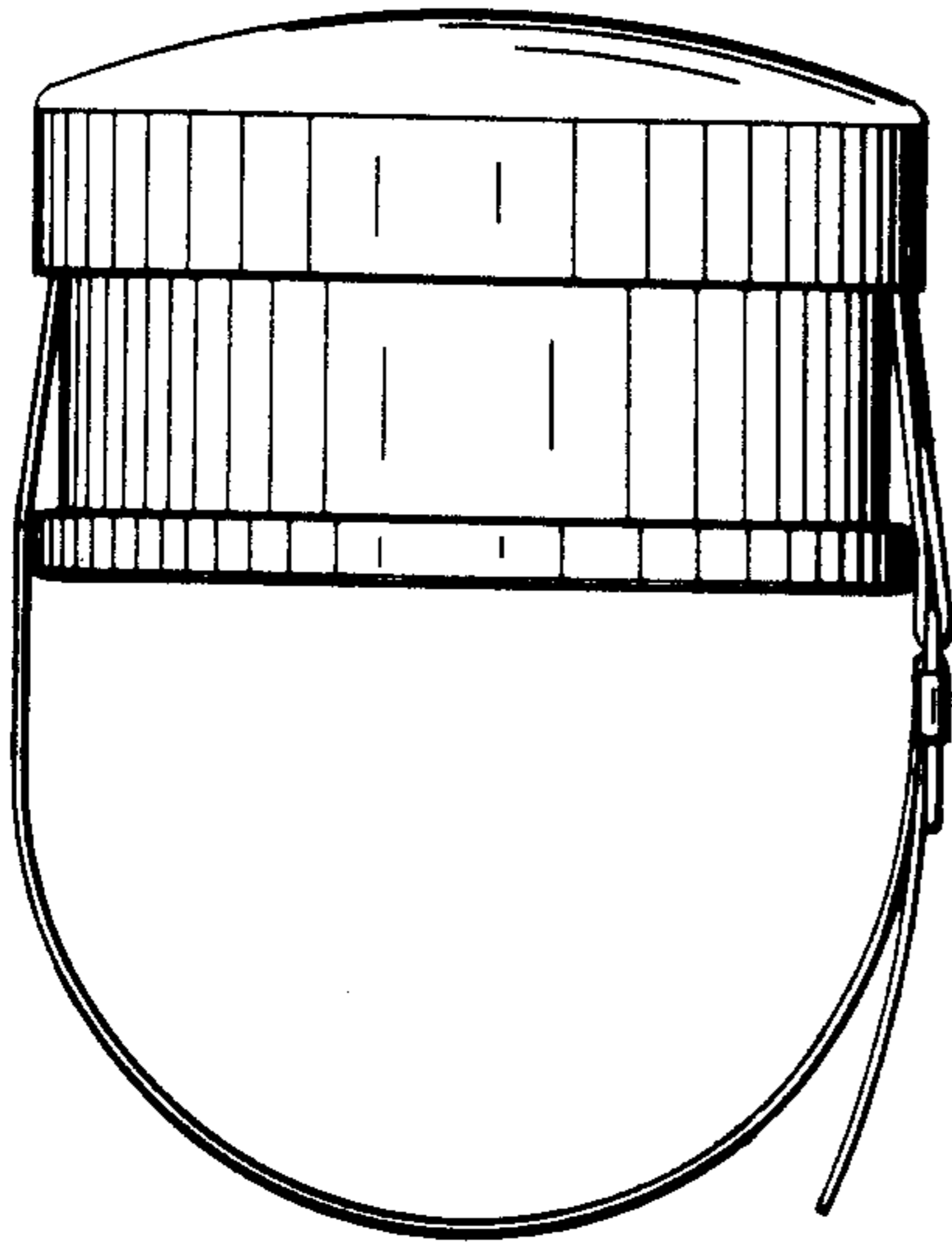


FIG. 2

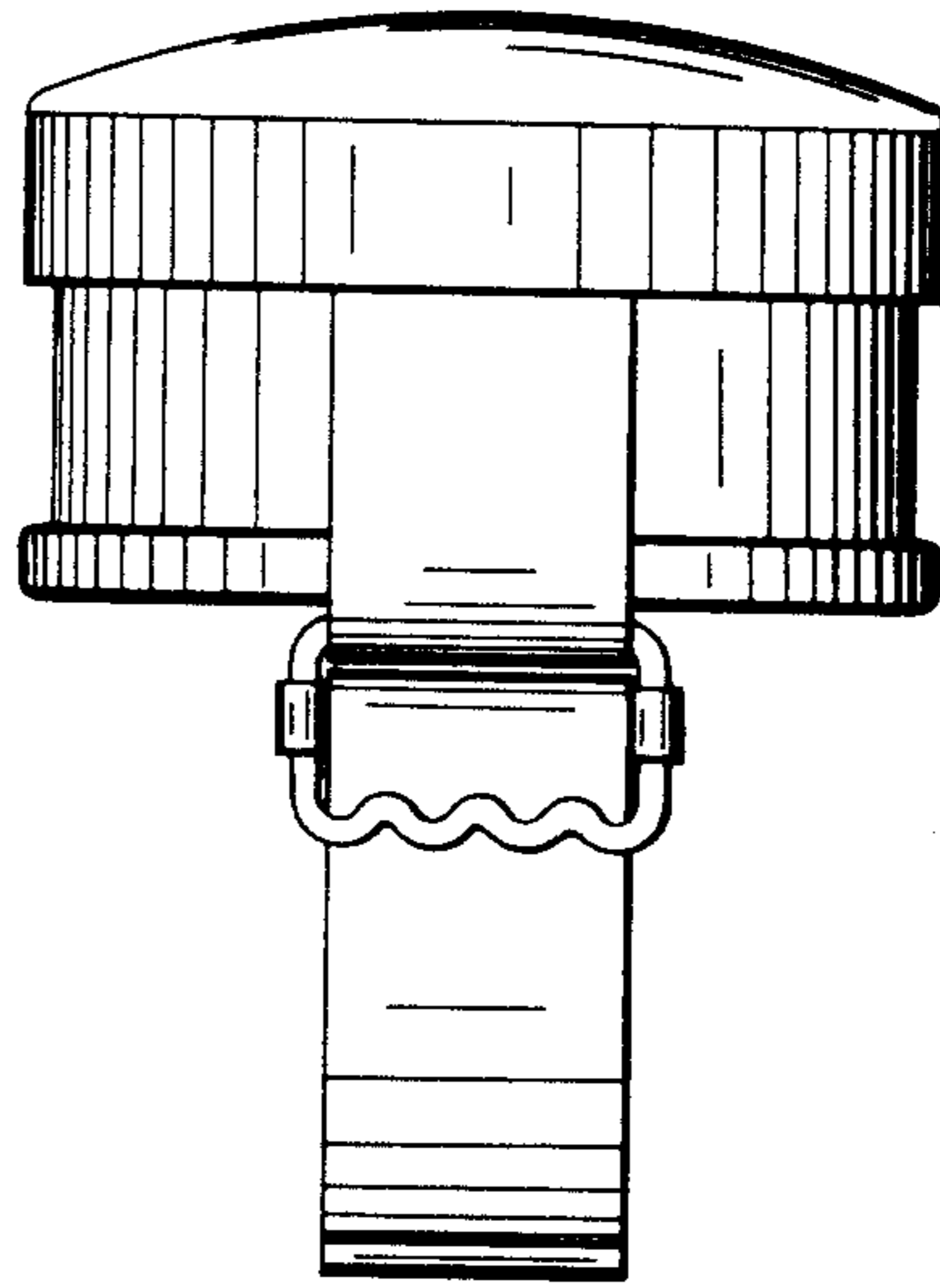


FIG. 3

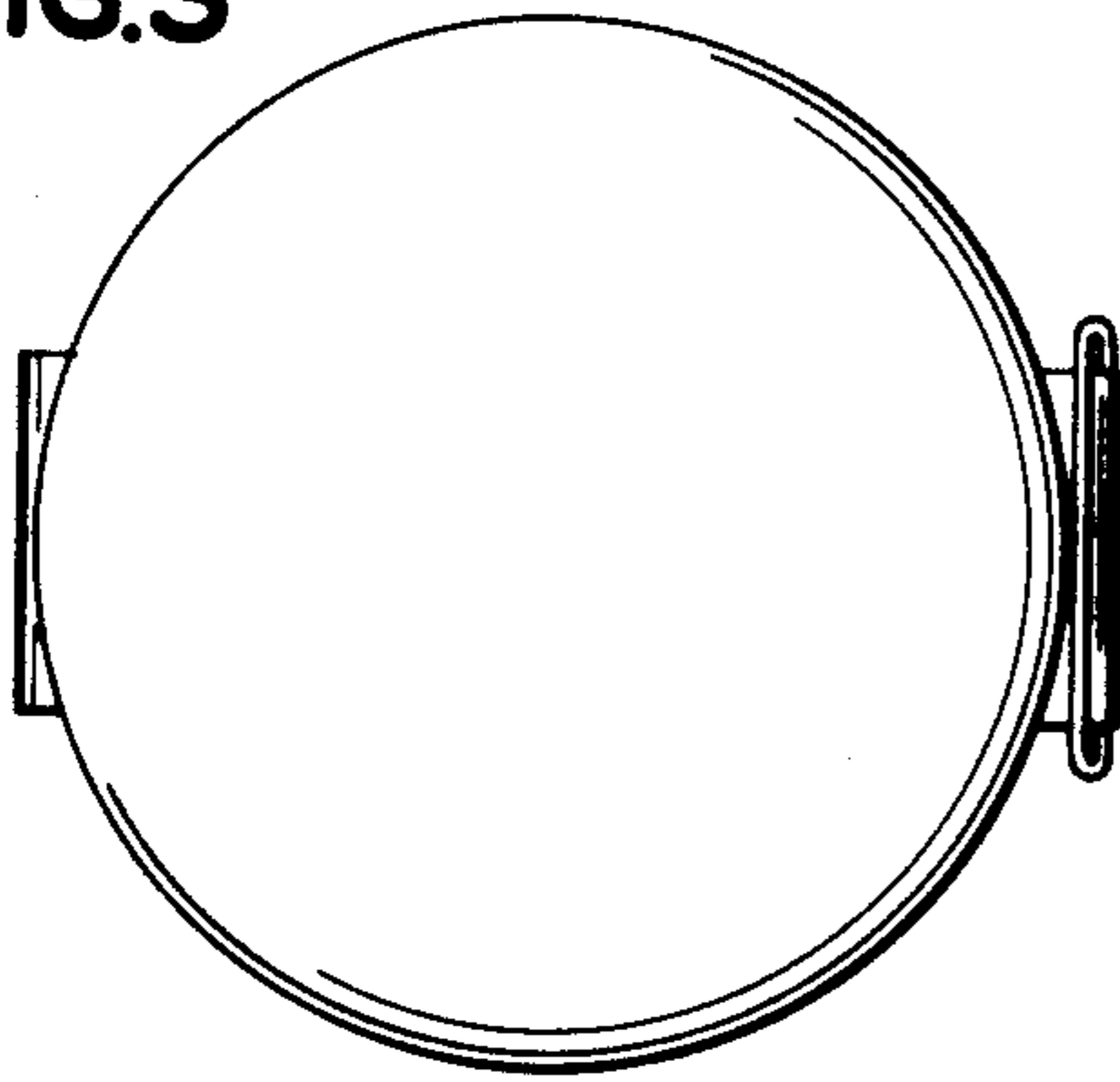


FIG. 4

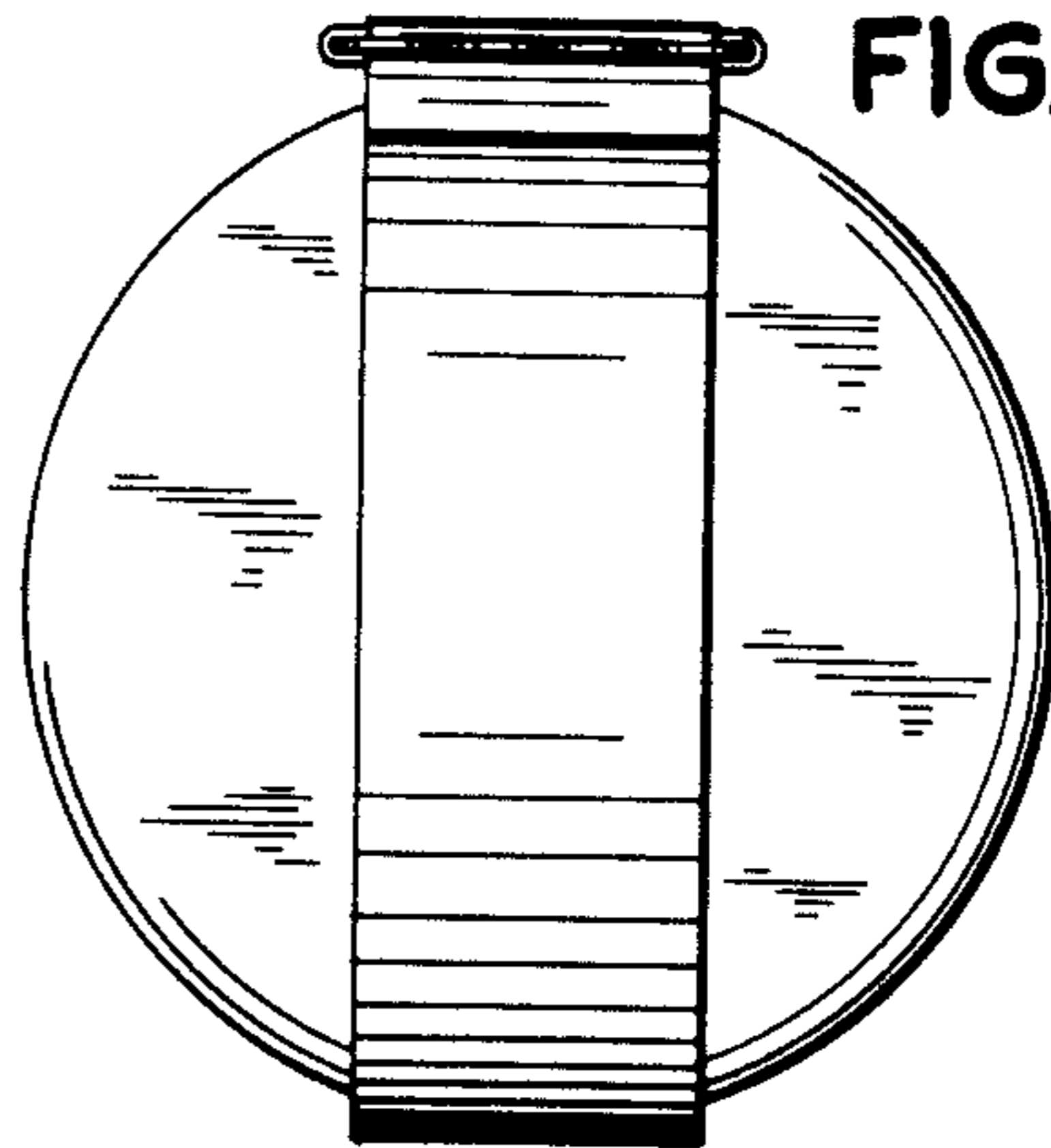


FIG. 5

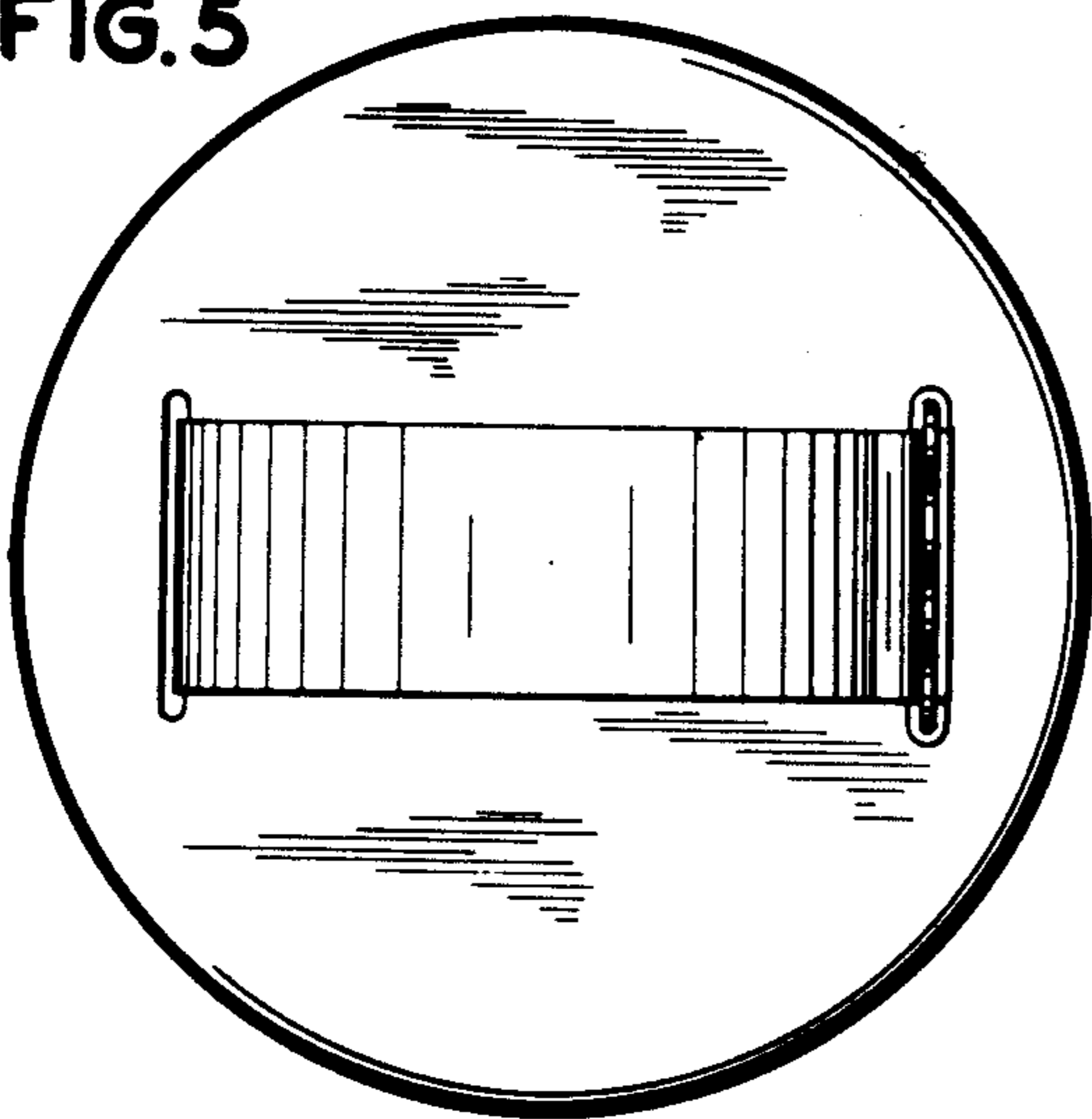


FIG. 6

