

[54] FREE STANDING FIREPLACE

[76] Inventor: Richard B. Johnson, 10343 Pico Vista Rd., Downey, Calif. 90241

[**] Term: 14 Years

[21] Appl. No.: 959,372

[22] Filed: Nov. 9, 1978

[51] Int. Cl. D23-03

[52] U.S. Cl. D23/97

[58] Field of Search D23/72, 77, 92, 93, D23/94, 95, 96, 97, 105; 126/120, 121, 123, 126, 138, 4, 6, 58, 59, 60, 61, 62, 63, 64, 65

[56] References Cited

U.S. PATENT DOCUMENTS

D. 250,596 12/1978 Jonas D23/97
3,339,540 9/1967 Kreider 126/121

OTHER PUBLICATIONS

Architectural Record-May 1962-p. 166-"Igloo" Fireplace.

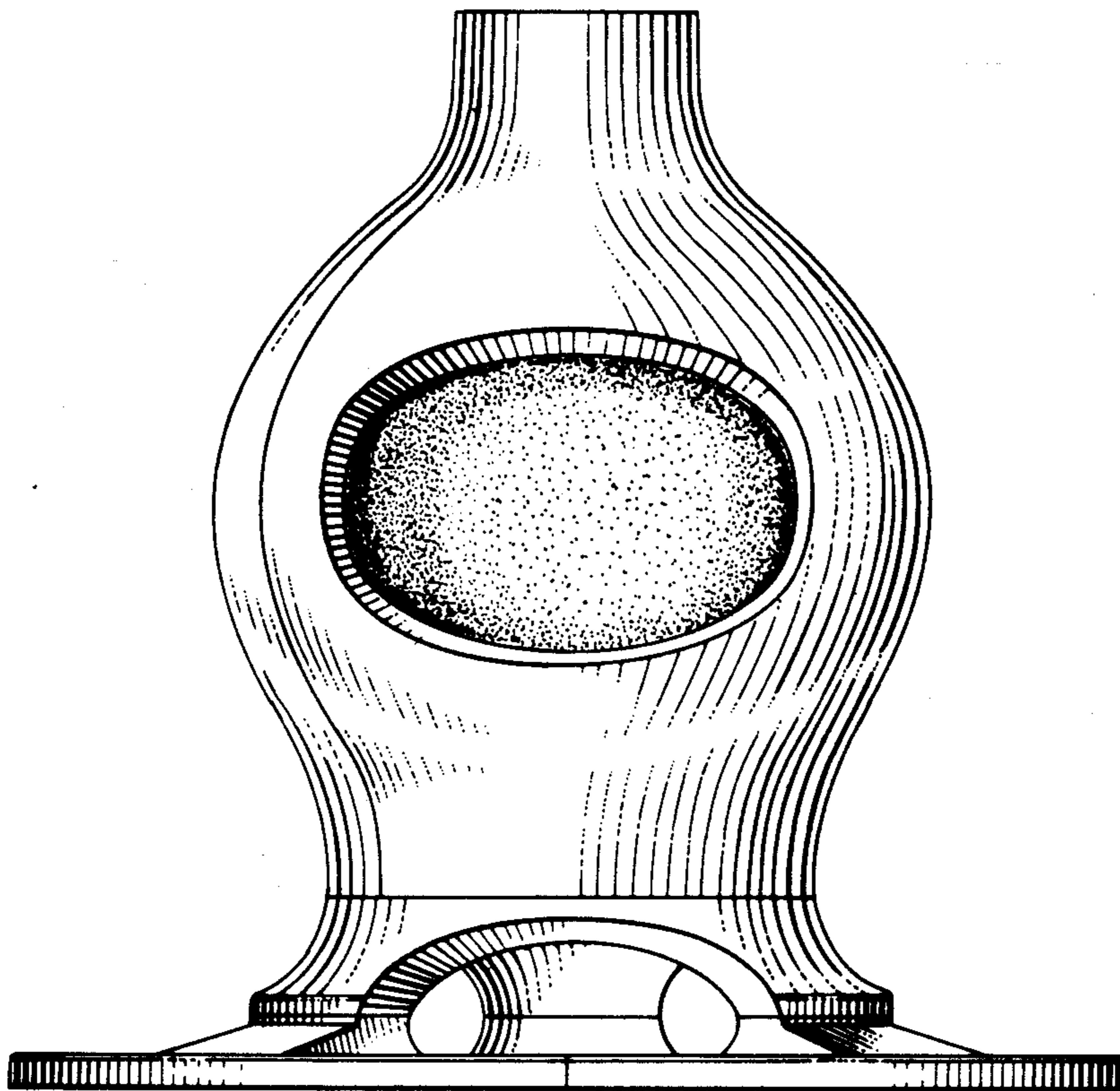
Primary Examiner-Catherine E. Kemper
Attorney, Agent, or Firm-Richard M. Worrel

[57] CLAIM

The ornamental design for a free standing fireplace, substantially as shown and described.

DESCRIPTION

FIG. 1 is a front elevational view of a free standing fireplace showing my new design;
FIG. 2 is a rear elevational view thereof;
FIG. 3 is a right side elevational view which is a mirror image of the left side elevational view thereof;
FIG. 4 is a top plan view thereof; and
FIG. 5 is a bottom plan view thereof.



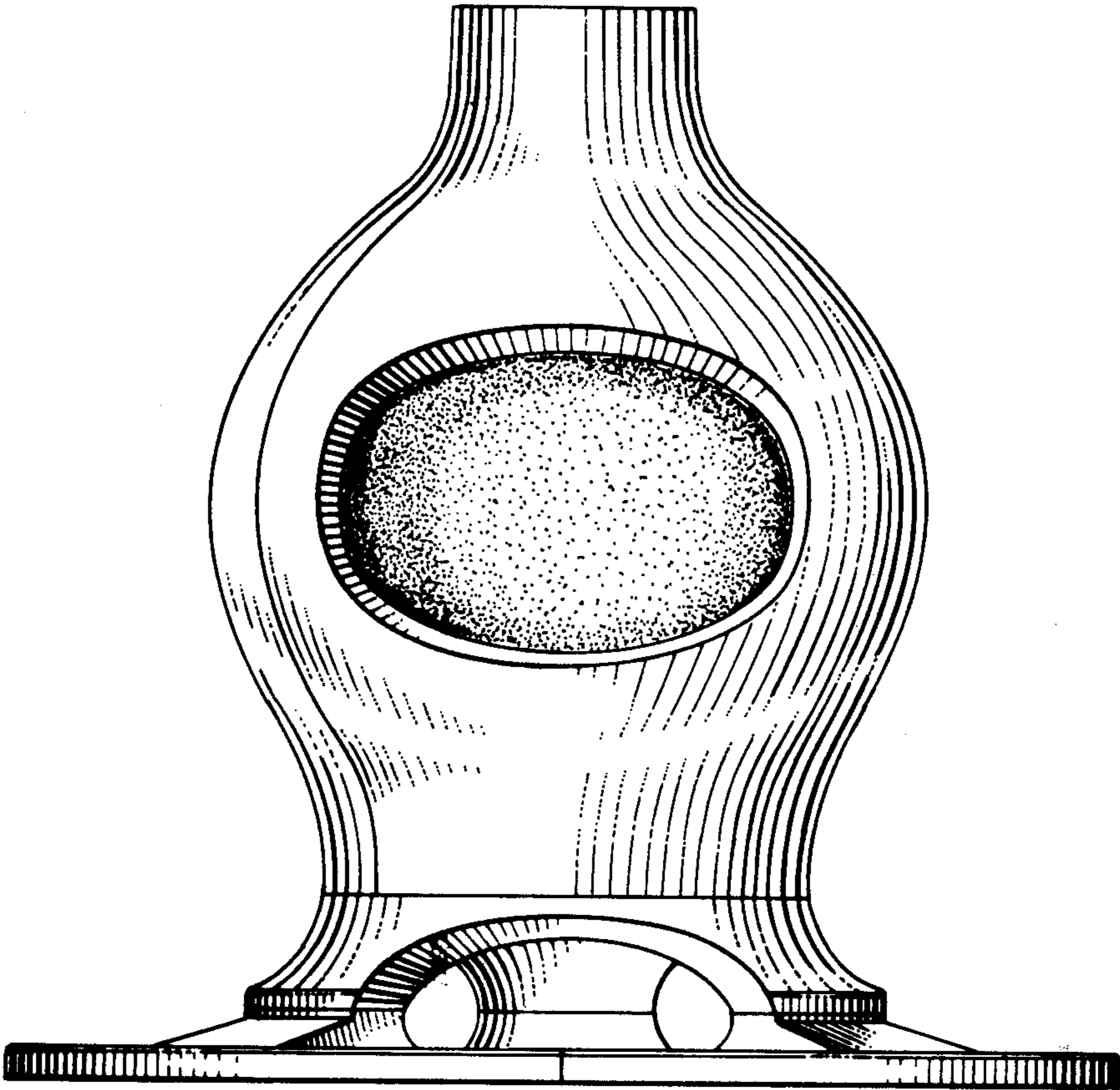


FIG. 1.

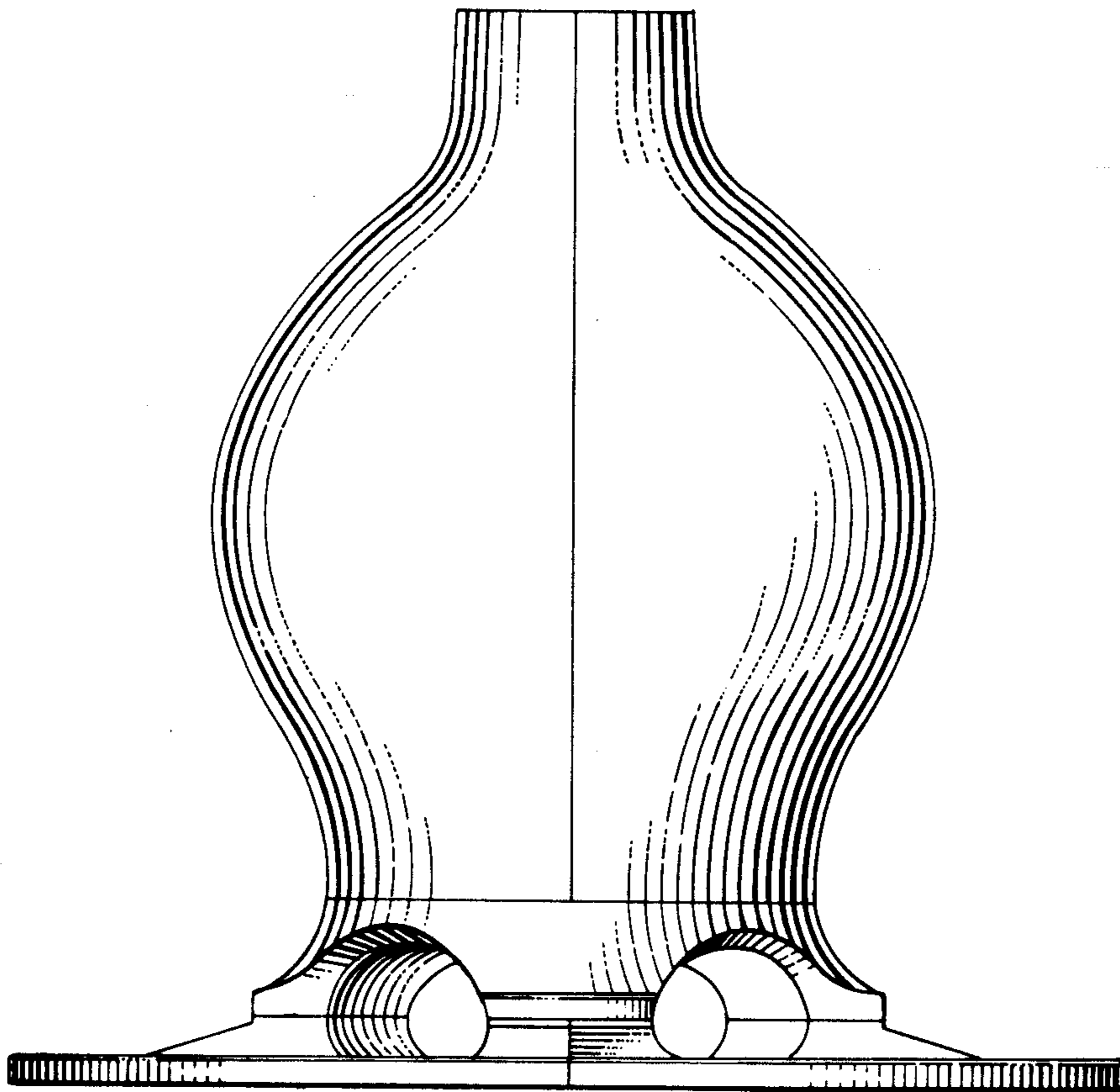


FIG. 2.

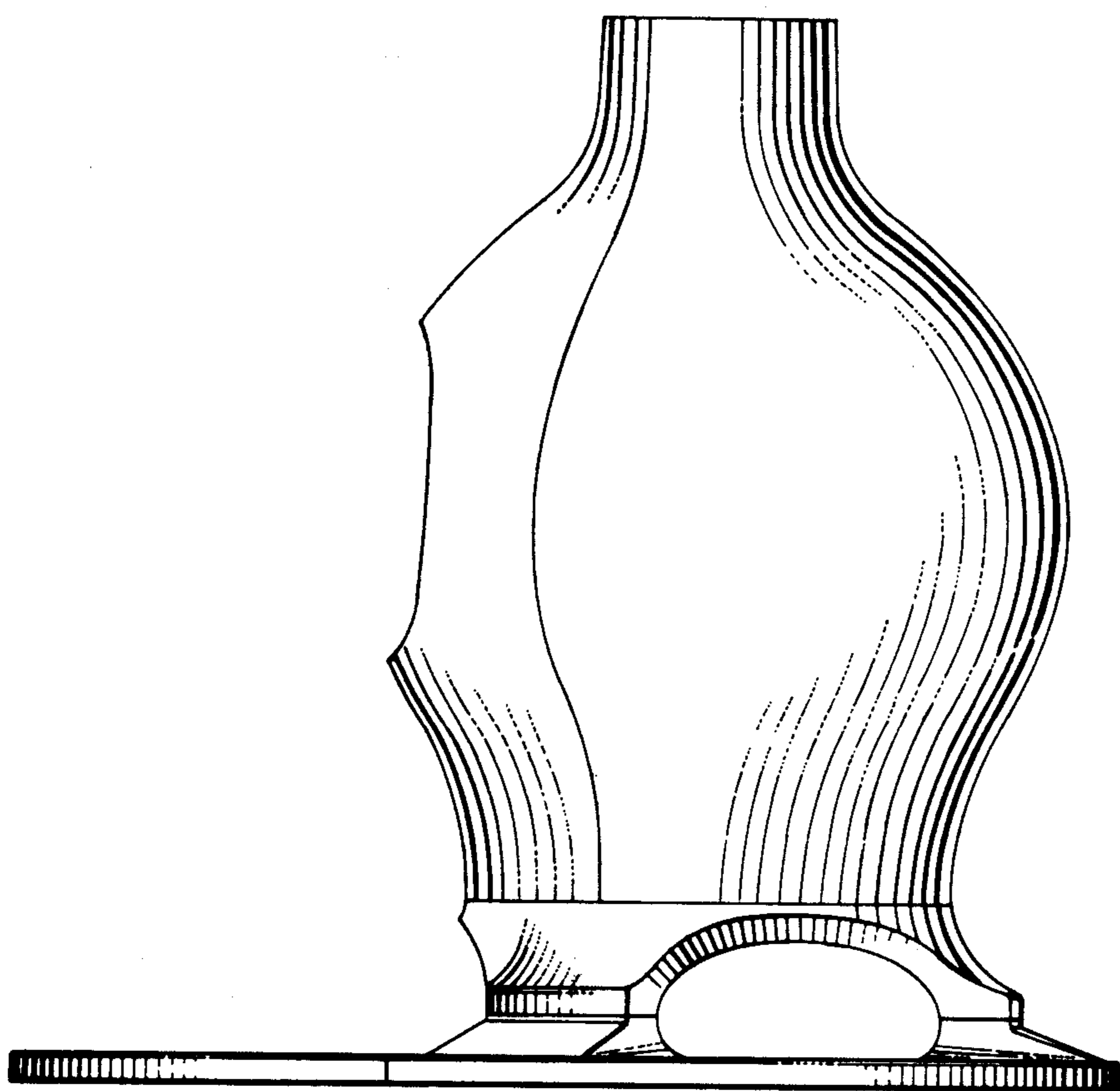


FIG. 3.

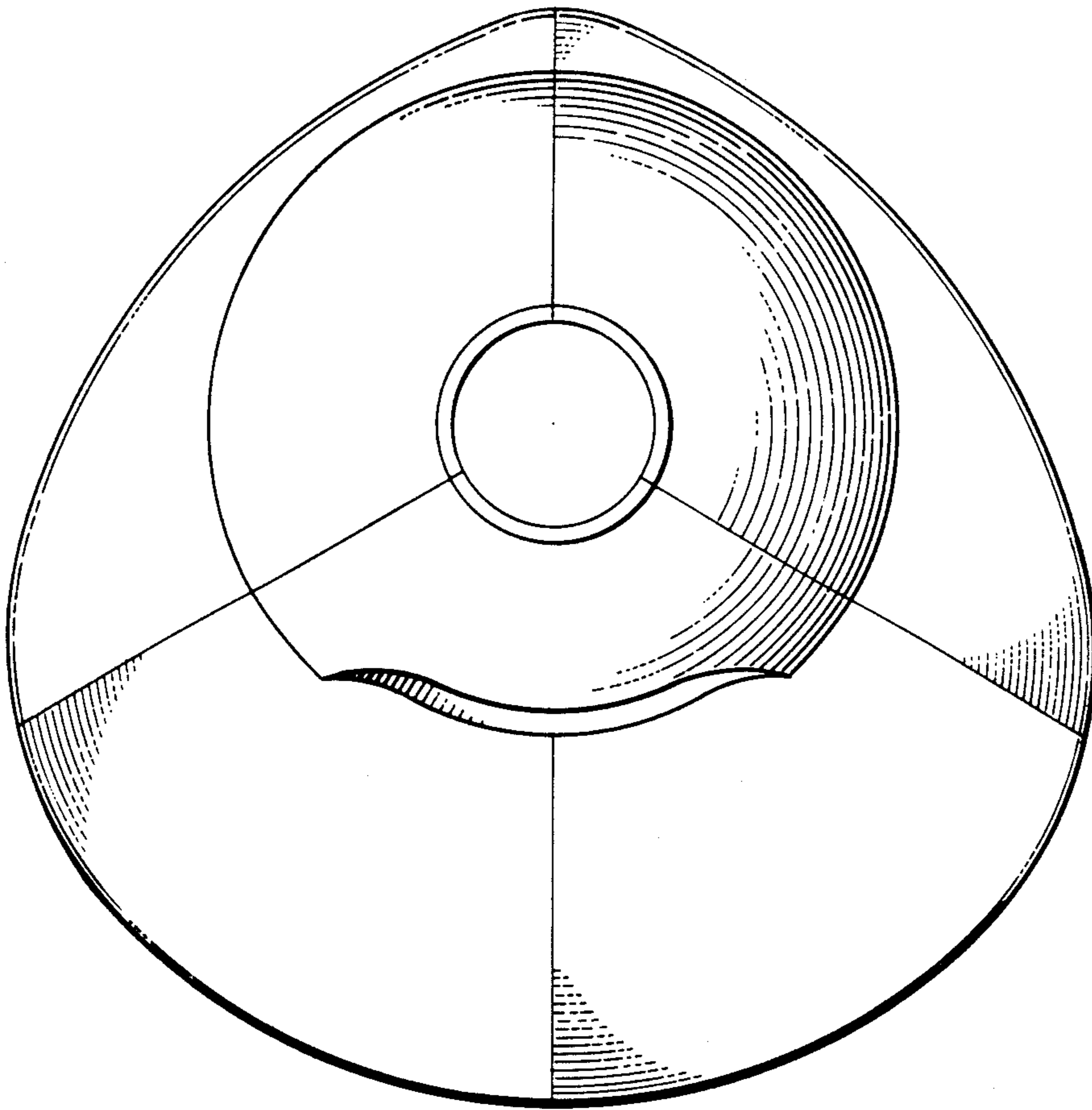


FIG. 4.

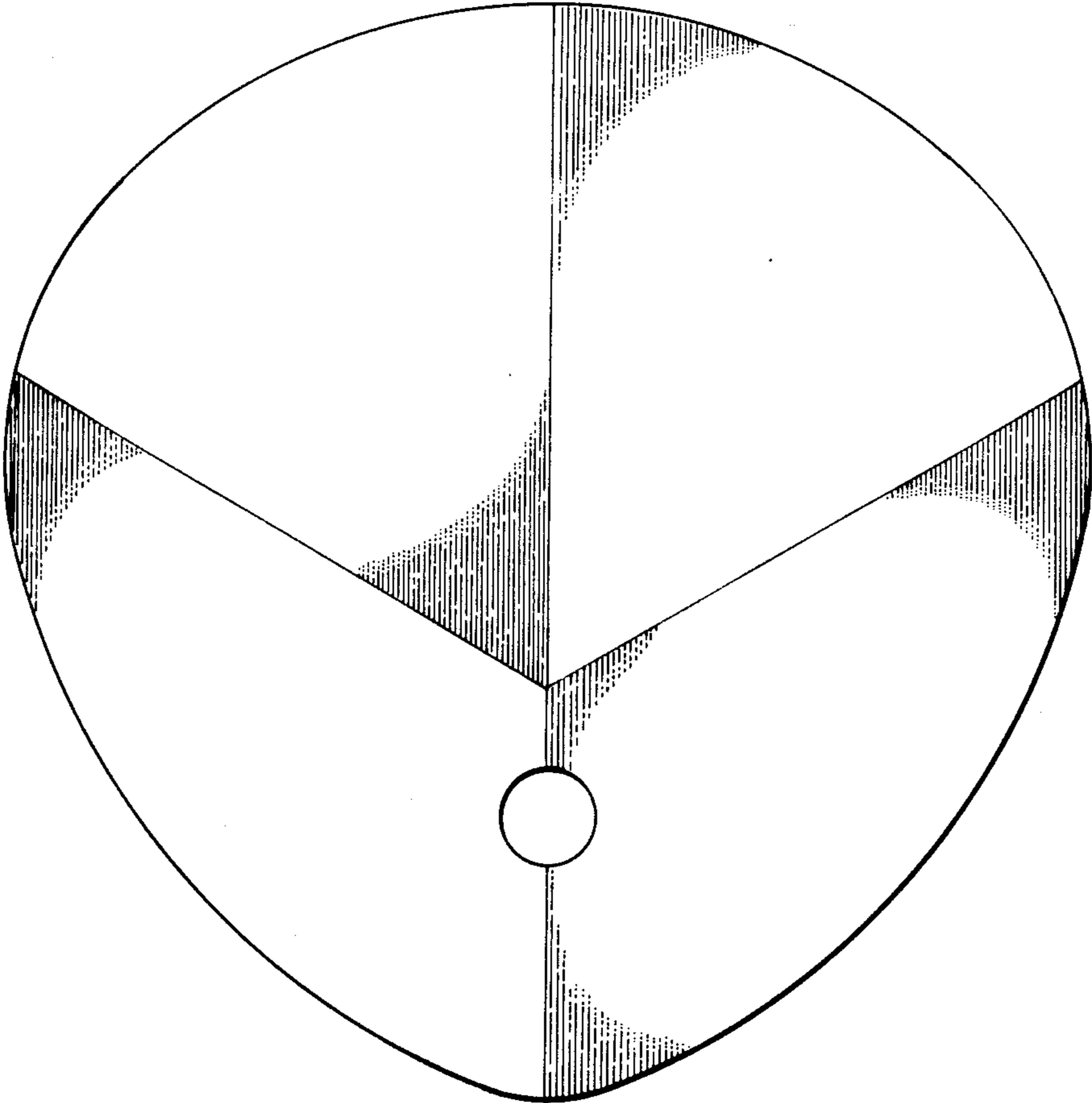


FIG. 5.