

[54] FISHING REEL

[75] Inventor: **Kiyoshi Okada, Higashikurume, Japan**

[73] Assignee: **Daiwa Seiko, Inc., Higashikurume, Japan**

[\*\*] Term: **14 Years**

[21] Appl. No.: **947,230**

[22] Filed: **Sep. 29, 1978**

[51] Int. Cl. .... **D22-05**

[52] U.S. Cl. .... **D22/25**

[58] Field of Search ..... **262/84.1; 63/18 R, 20, 63/22; D22/23, 25, 26**

[56]

References Cited

U.S. PATENT DOCUMENTS

D. 106,828	11/1937	Gurrieri et al. ....	D22/25
D. 247,247	2/1978	Okada .....	D22/25
2,922,595	1/1960	Holahan .....	D22/25 X

*Primary Examiner*—A. Hugo Word  
*Attorney, Agent, or Firm*—Richard C. Sughrue

[57]

CLAIM

The ornamental design for a fishing reel, as shown.

DESCRIPTION

FIG. 1 is a top, front and right side perspective view of a fishing reel showing my new design;

FIG. 2 is a bottom, rear and left side perspective view thereof;

FIG. 3 is a right side elevational view thereof;

FIG. 4 is a rear elevational view thereof;

FIG. 5 is a top plan view thereof;

FIG. 6 is a left side elevational view thereof;

FIG. 7 is a front elevational view thereof; and

FIG. 8 is a bottom plan view thereof.

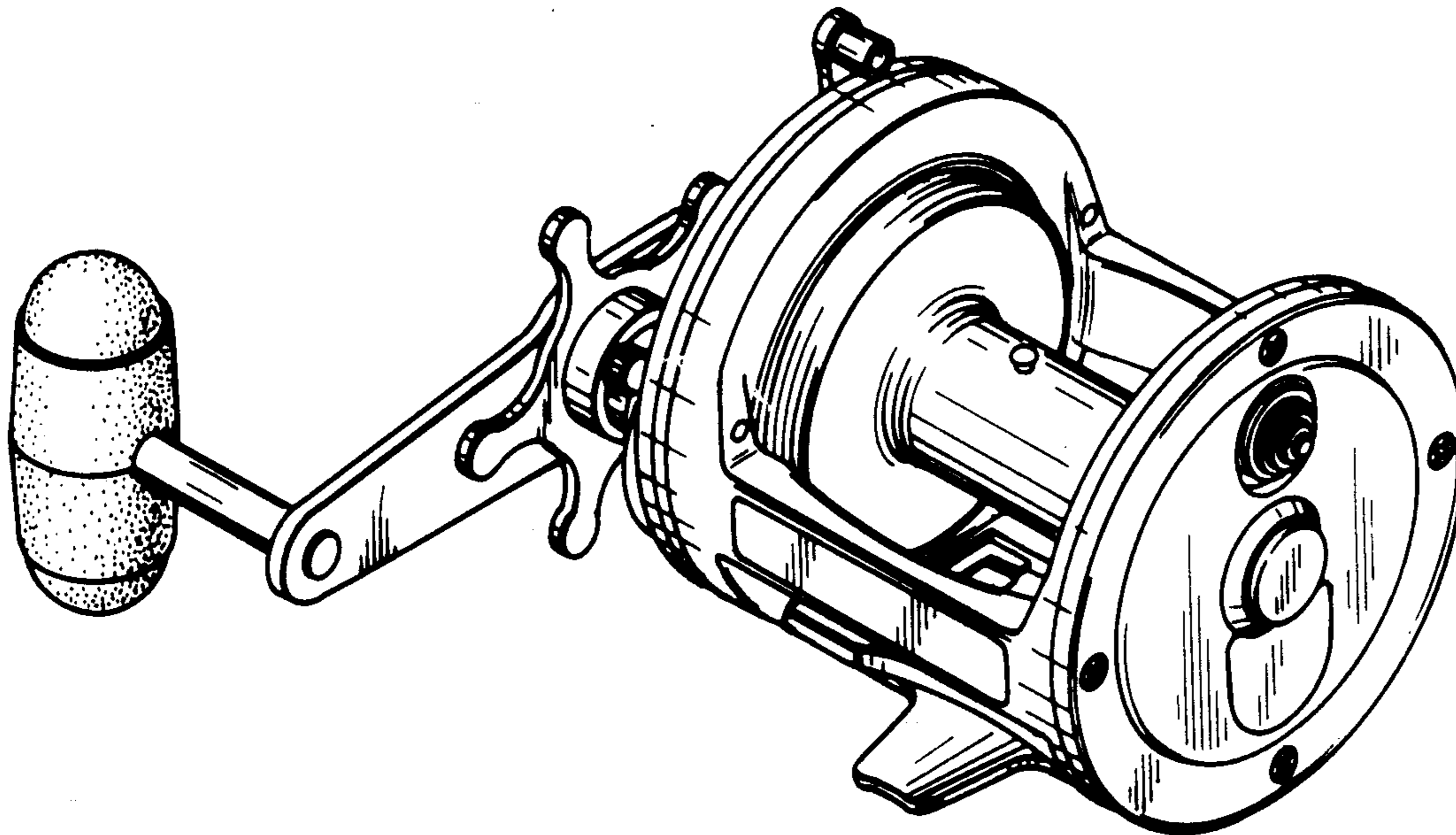


FIG. 1

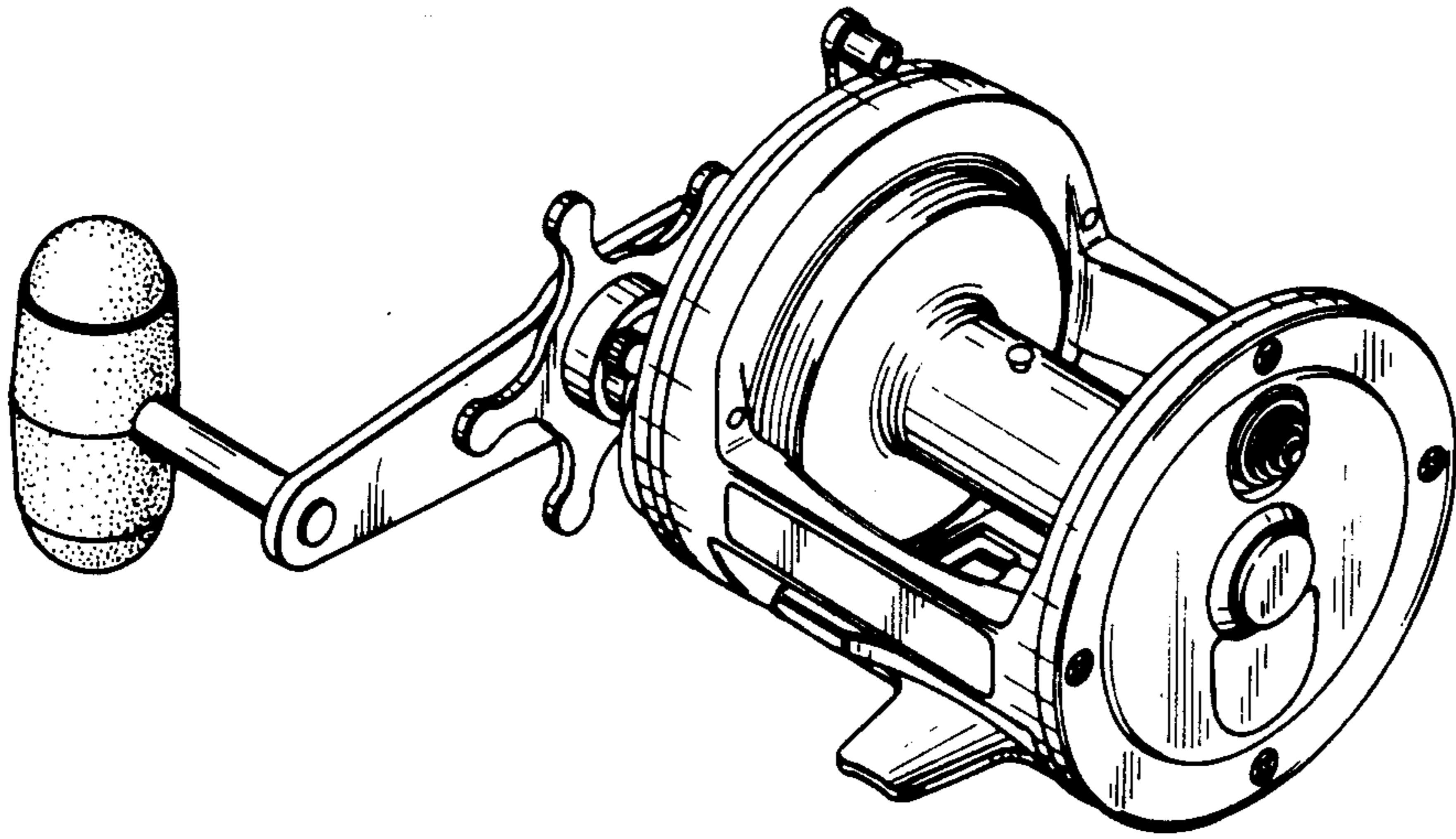


FIG. 2

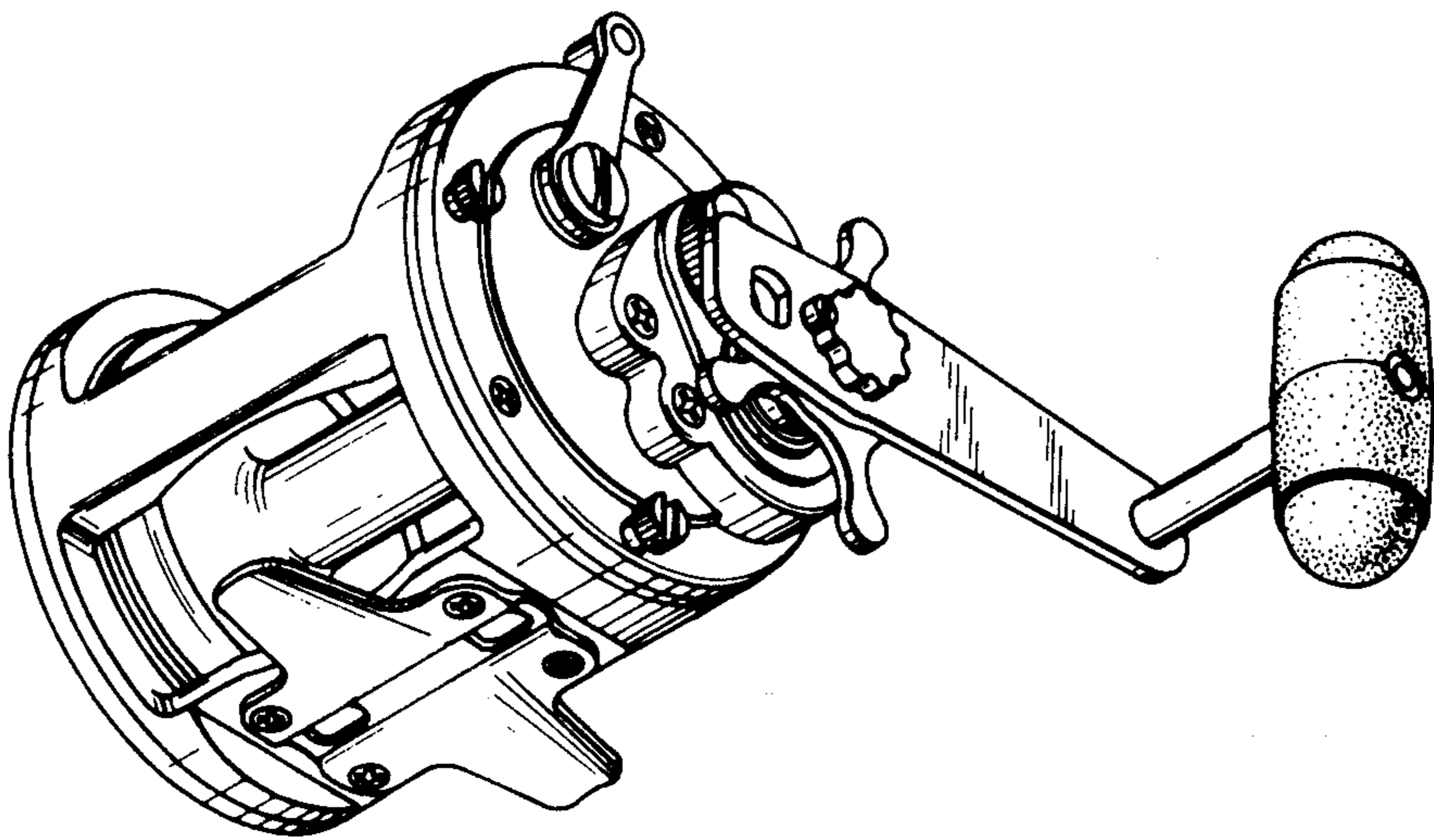


FIG. 3

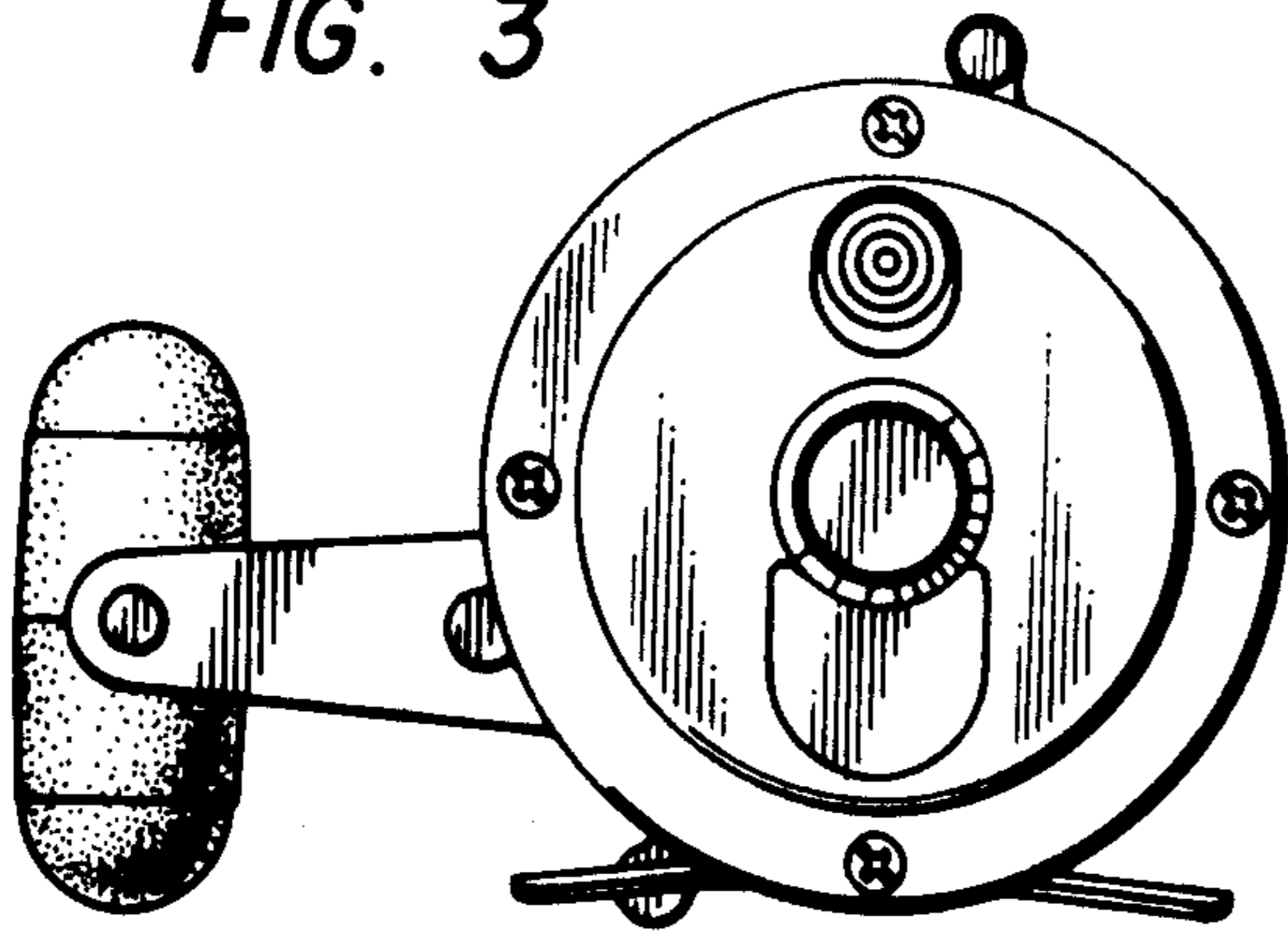


FIG. 4

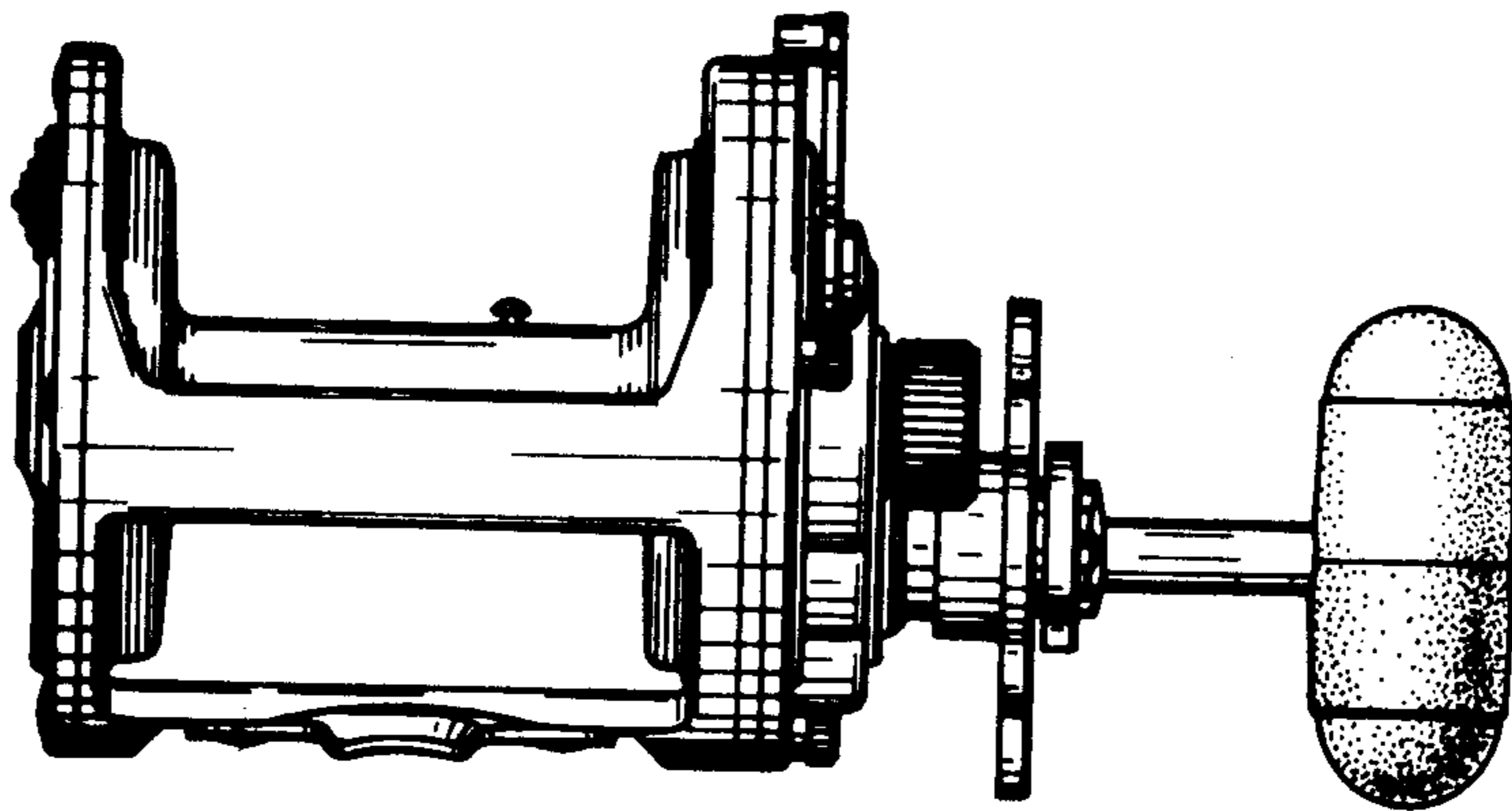


FIG. 5

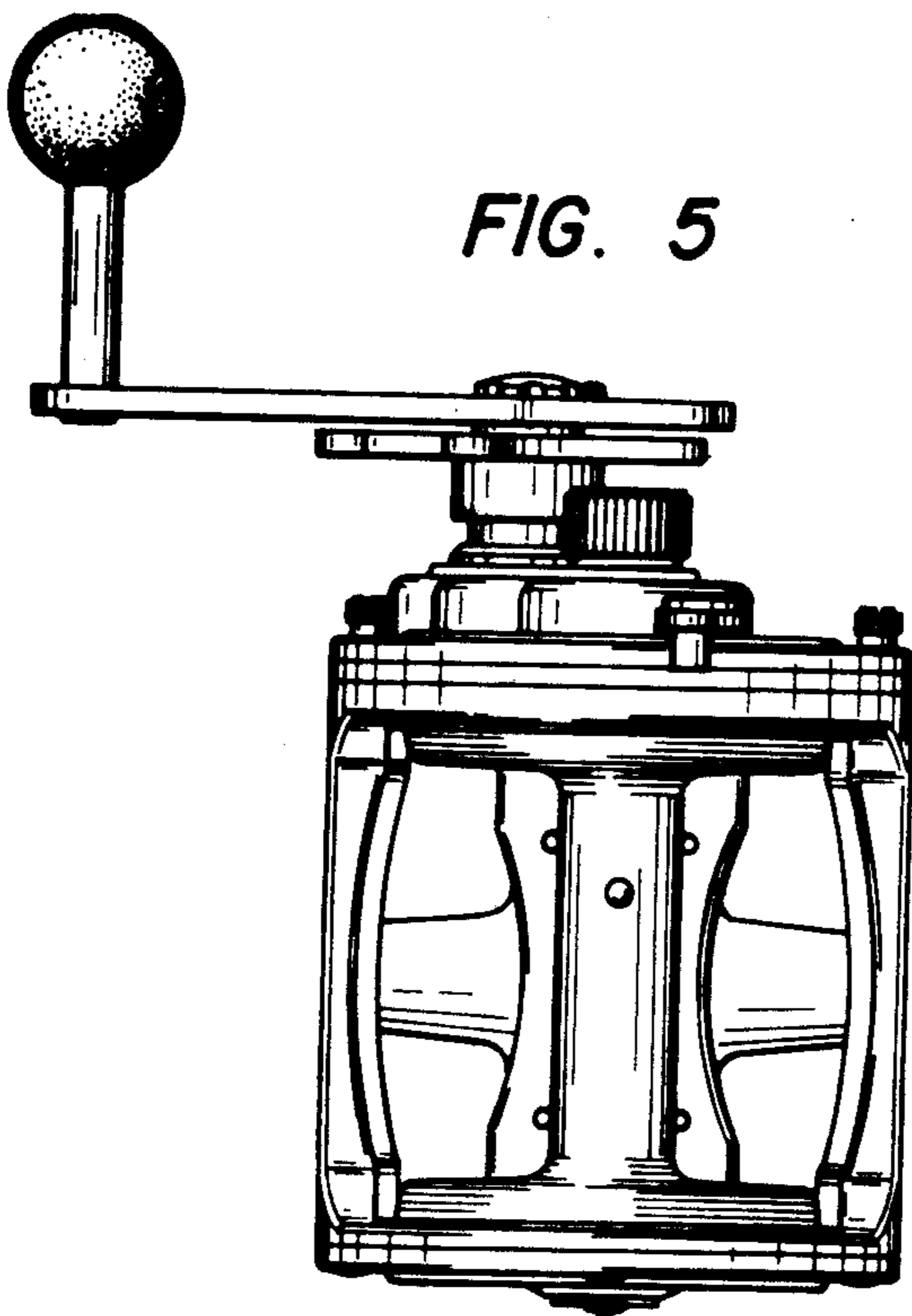


FIG. 6

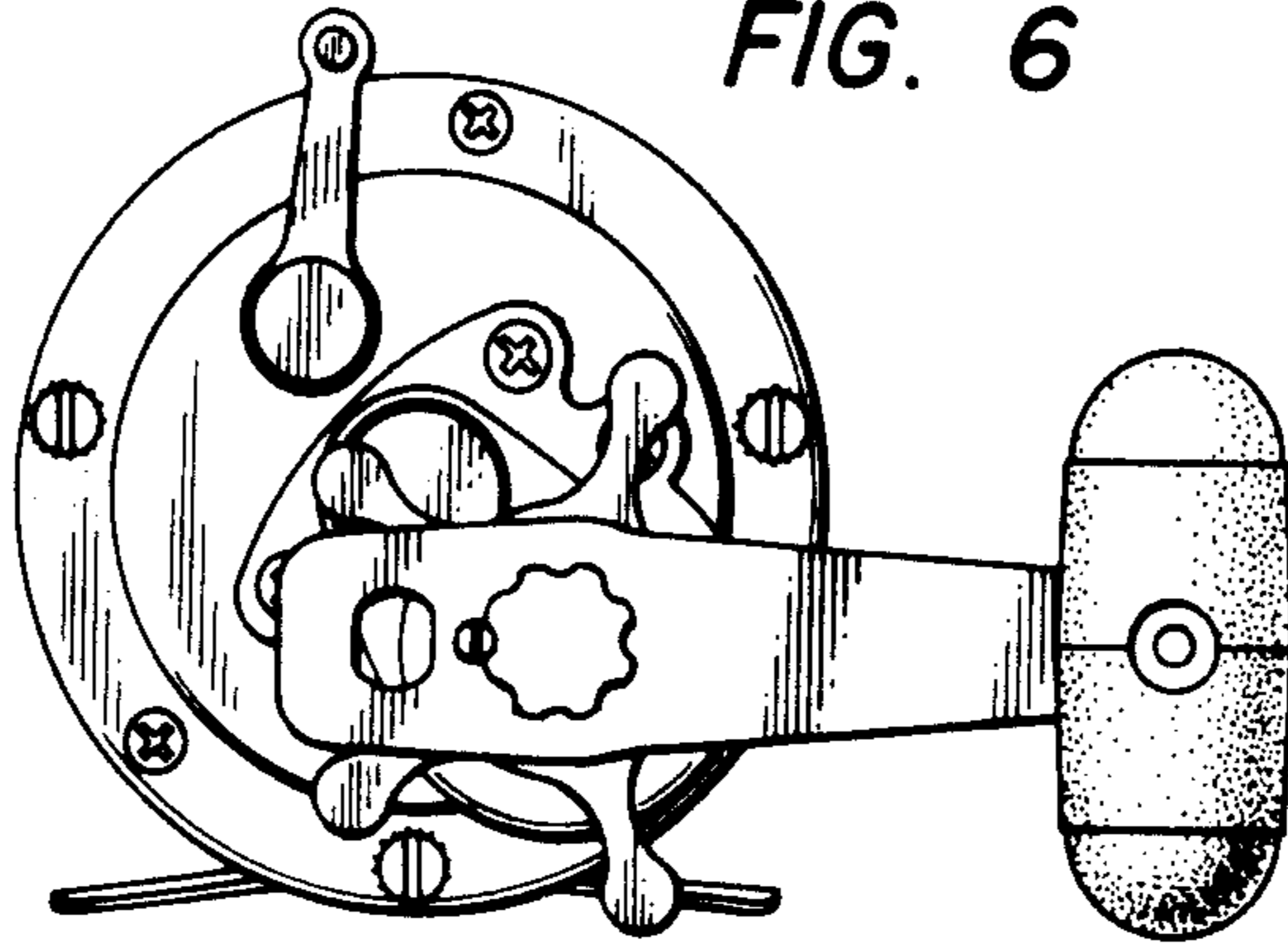


FIG. 7

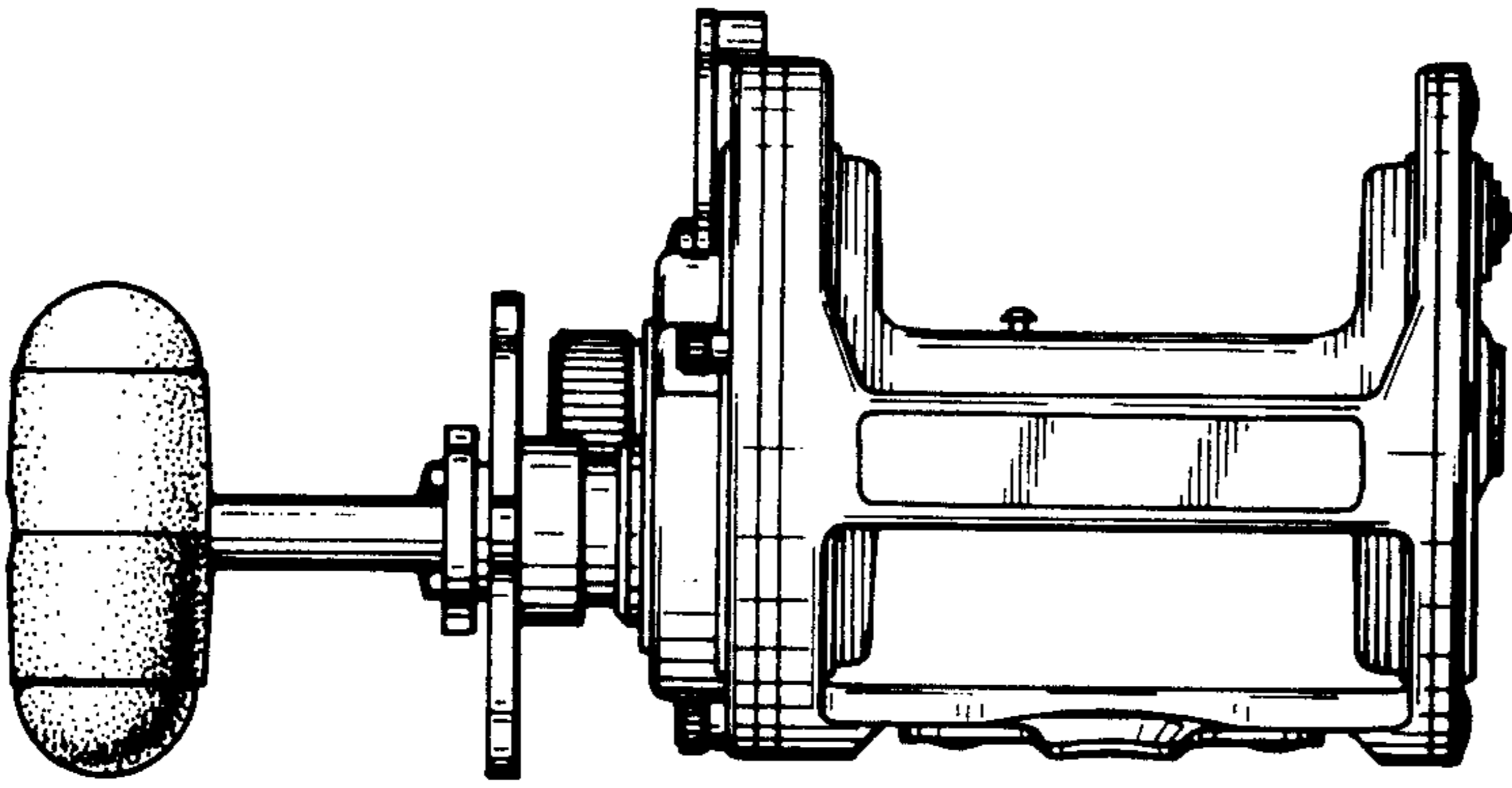


FIG. 8

