

[54] FISHING REEL

[75] Inventor: Kiyoshi Okada, Higashikurume, Japan

[73] Assignee: Daiwa Seiko, Inc., Higashikurume, Japan

[**] Term: 14 Years

[21] Appl. No.: 932,166

[22] Filed: Aug. 9, 1978

[30] Foreign Application Priority Data

Jun. 8, 1978 [JP] Japan 53-23752

[51] Int. Cl. D22-05

[52] U.S. Cl. D22/25

[58] Field of Search 242/84.1; D22/25, 26, D22/23; 43/18 R, 20, 22

[56] References Cited

U.S. PATENT DOCUMENTS

D. 246,662	12/1977	Okada	D22/25
3,176,930	4/1965	Miller et al.	D22/25 X
3,329,373	7/1967	Wood, Jr.	D22/25 X

Primary Examiner—A. Hugo Word
Attorney, Agent, or Firm—Richard C. Sughrue

[57] CLAIM

The ornamental design for a fishing reel, as shown.

DESCRIPTION

FIG. 1 is a right side elevational view of a fishing reel showing my new design;
FIG. 2 is a left side elevational view thereof;
FIG. 3 is a front elevational view thereof;
FIG. 4 is a rear elevational view thereof;
FIG. 5 is a top plan view thereof; and
FIG. 6 is a bottom plan view thereof.

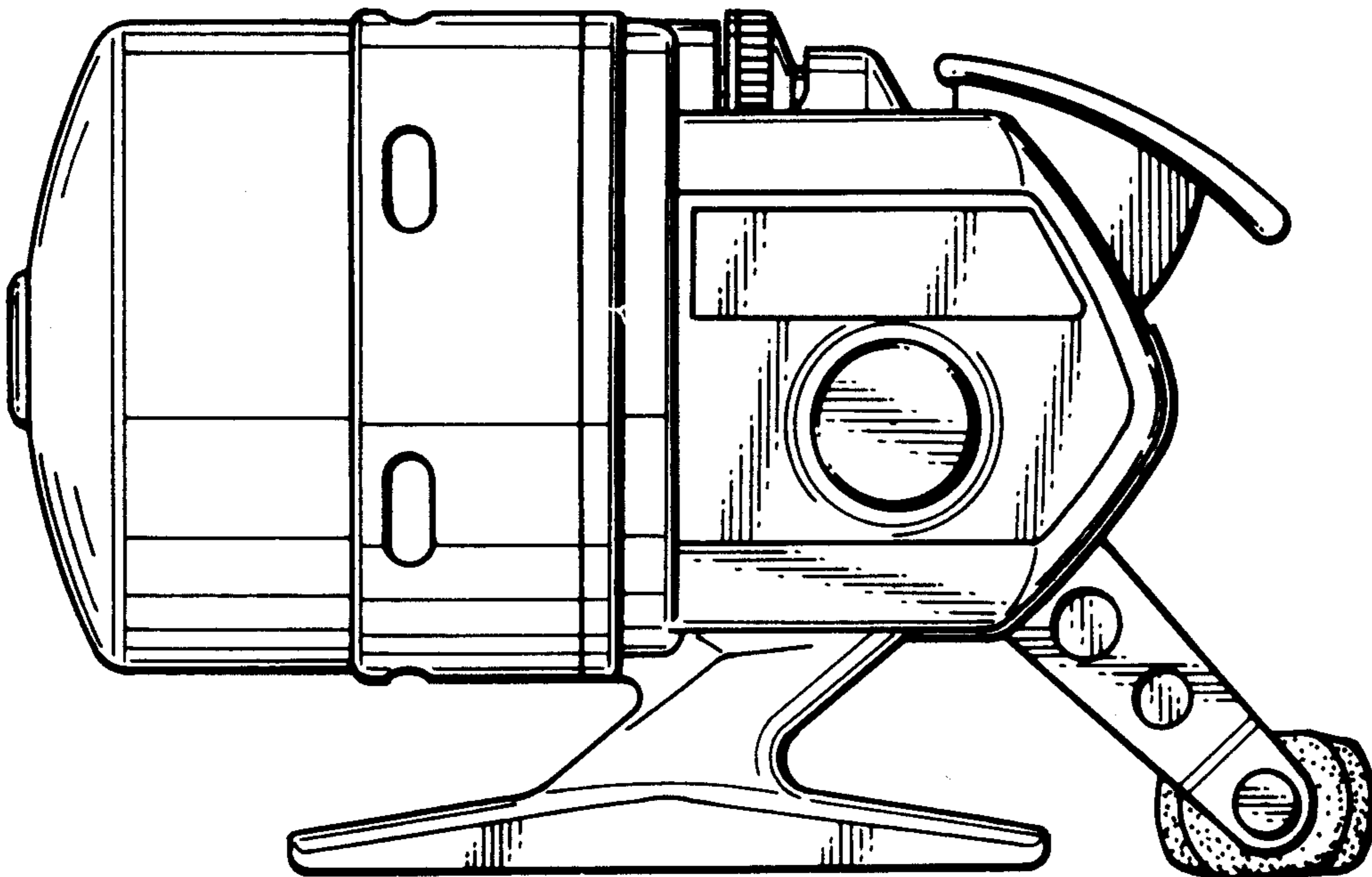


Fig. 1

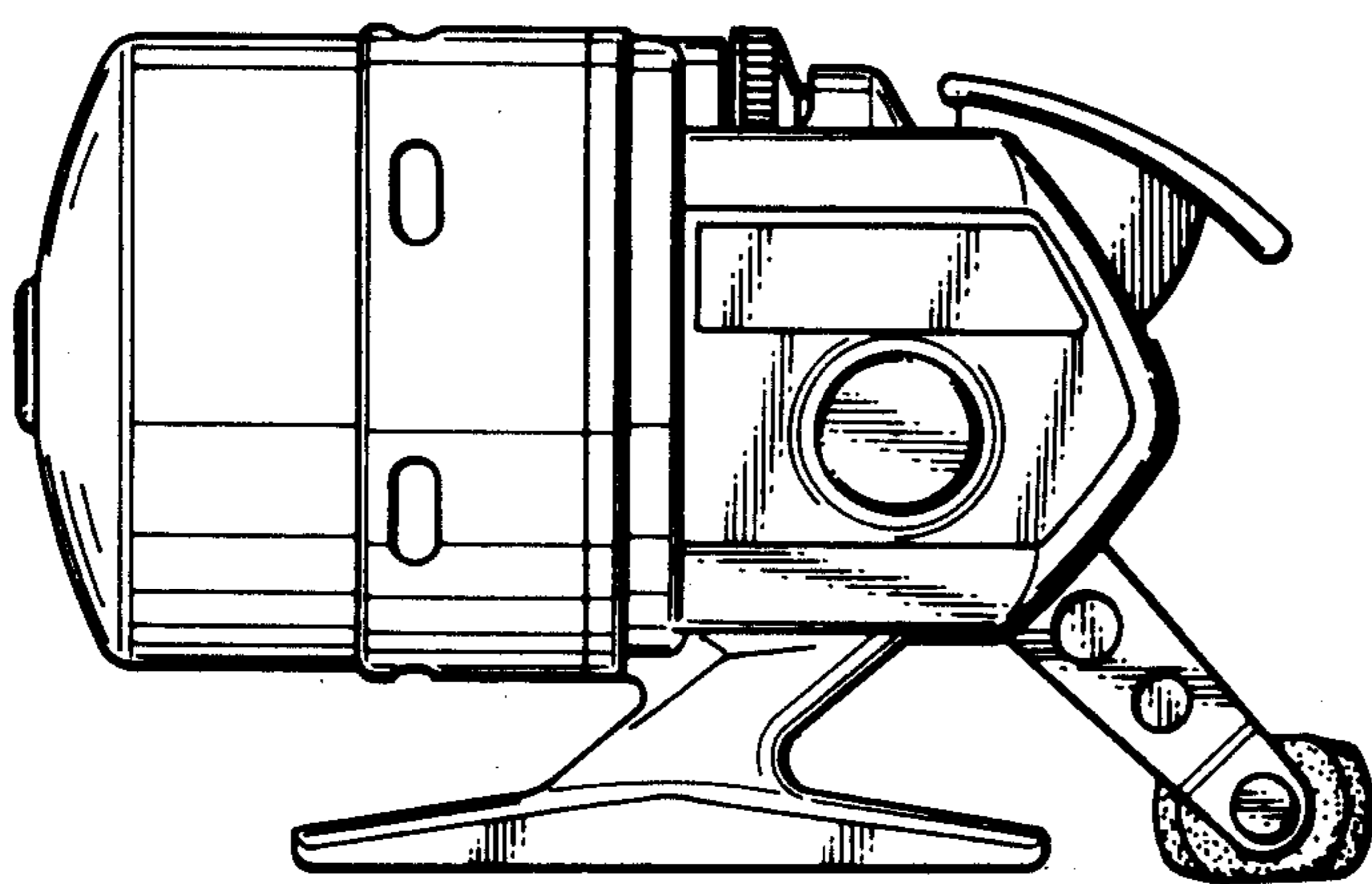


Fig. 2

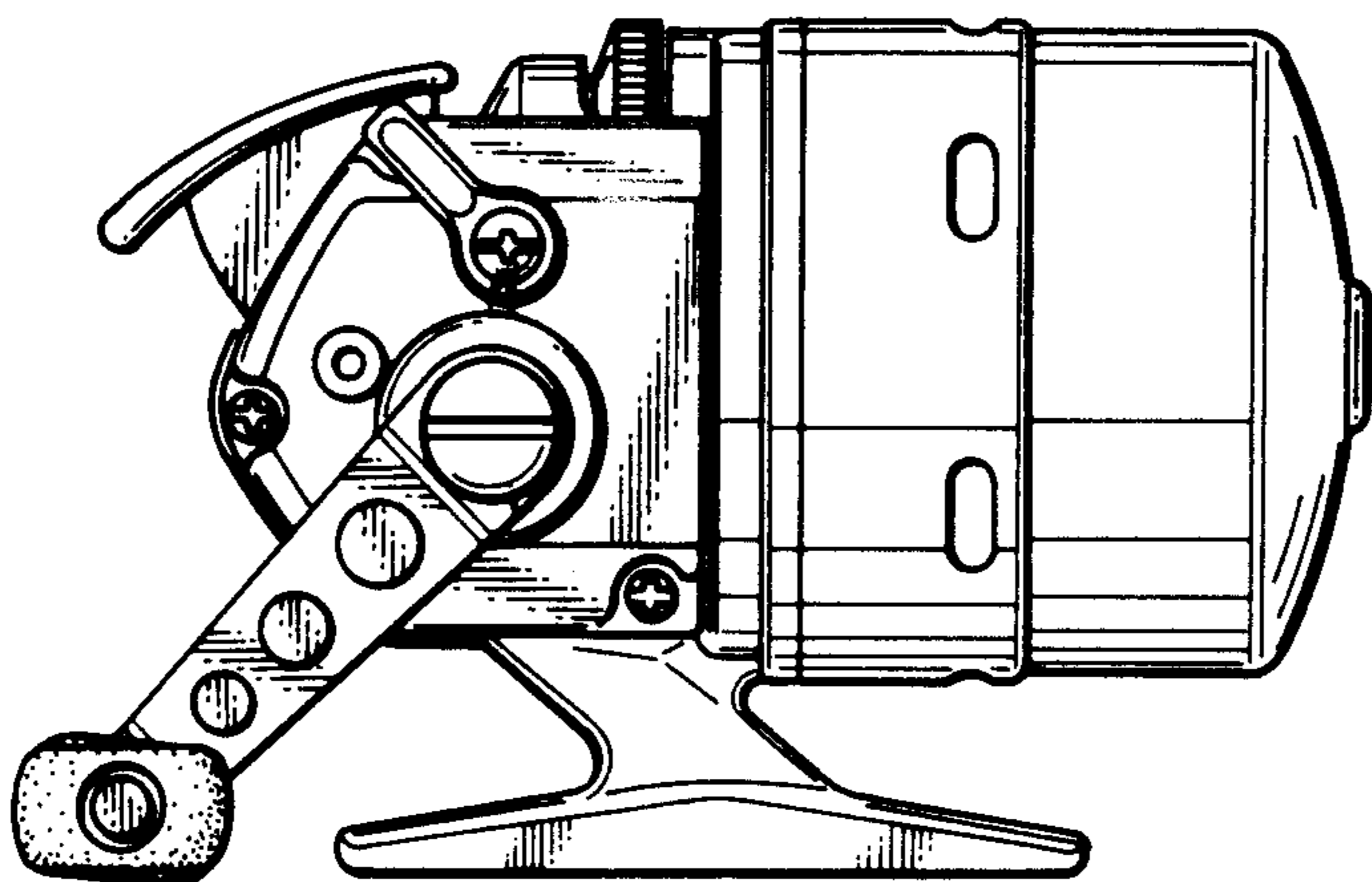


Fig. 3

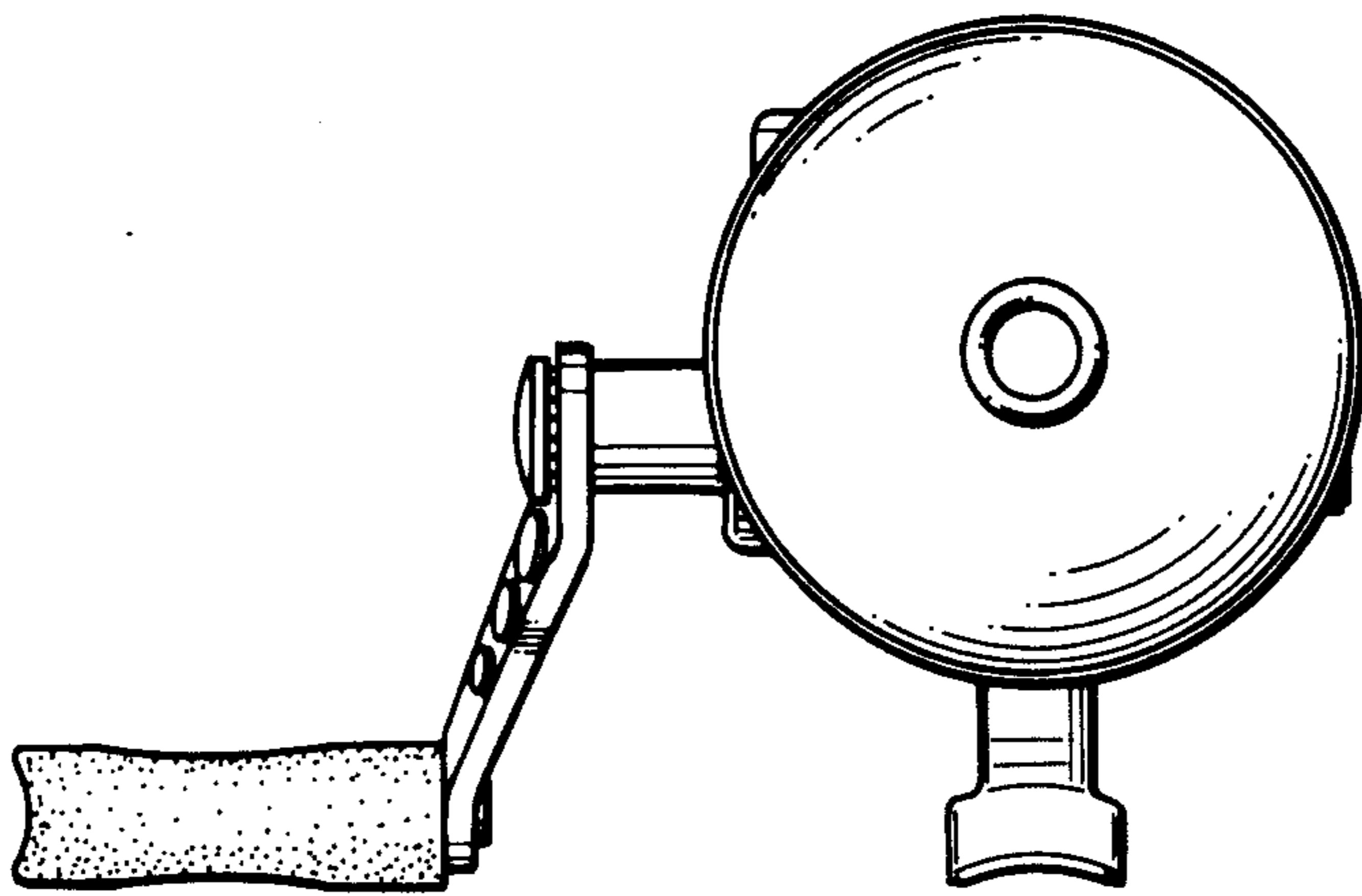


Fig. 4

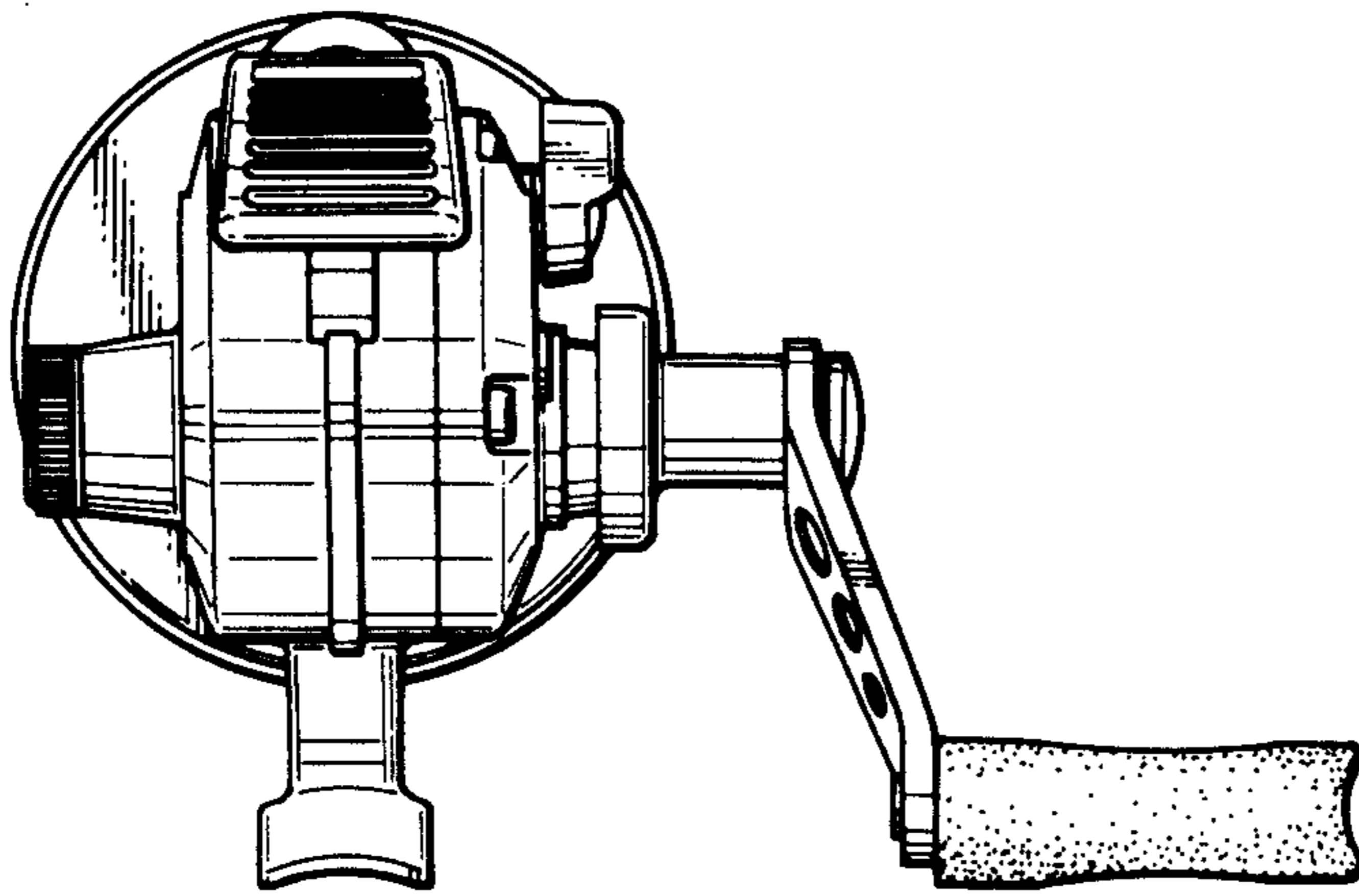


Fig. 5

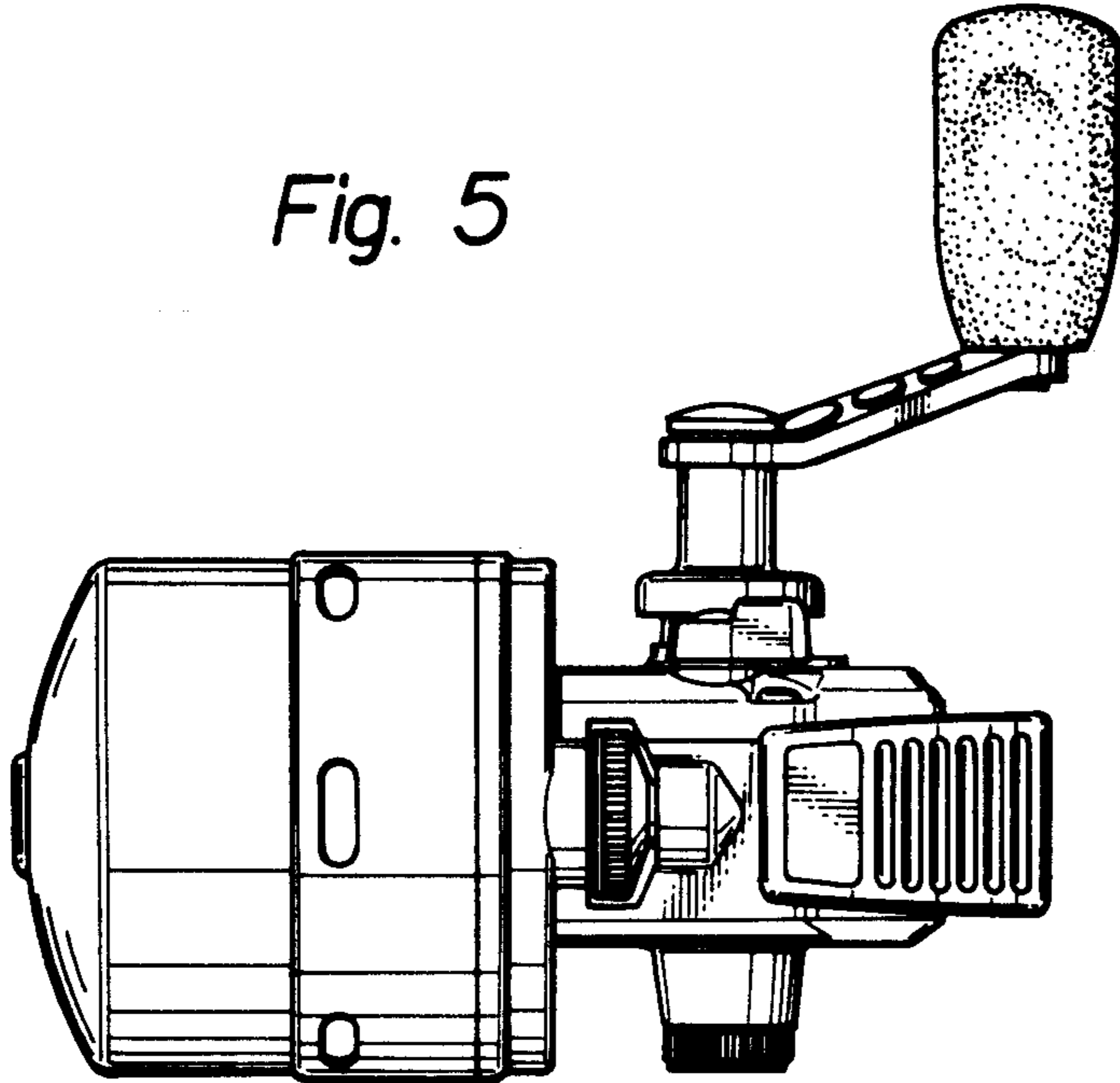


Fig. 6

