

United States Patent [19]

[11] **Des. 256,489**

Stokes

[45] ** **Aug. 19, 1980**

[54] **GUN MAGAZINE FOR A SEMI-AUTOMATIC GUN**

[76] **Inventor: Earl W. Stokes, 3620 Roosevelt Dr., Arlington, Tex. 76101**

[**] **Term: 14 Years**

[21] **Appl. No.: 891,155**

[22] **Filed: Mar. 28, 1978**

[51] **Int. Cl. D22-01**

[52] **U.S. Cl. D22/7**

[58] **Field of Search 42/2, 49, 87, 60; 86/47; D22/1, 6, 7**

[56] **References Cited
PUBLICATIONS**

Gun Collector's Digest, Edited by Joseph J. Schroeder, Jr., ©1974, p. 71, Thompson Model 1921 illustration.

*Primary Examiner—A. Hugo Word
Attorney, Agent, or Firm—Wm. T. Wofford*

[57] **CLAIM**

The ornamental design for a gun magazine for a semi-automatic gun, as shown and described.

DESCRIPTION

FIG. 1 is an isometric view showing the front, top and right side of one embodiment of my new and ornamental design for a gun magazine for semi-automatic gun; FIG. 2 is an isometric view of the rear of the embodiment of FIG. 1;

FIG. 3 is a bottom view thereof;

FIG. 4 is a top view thereof;

FIG. 5 is a front elevational view thereof;

FIG. 6 is a rear elevational view thereof;

FIG. 7 is an isometric view of the front, top and right side of a gun magazine in accordance with a second embodiment for fitting a second type of semi-automatic gun;

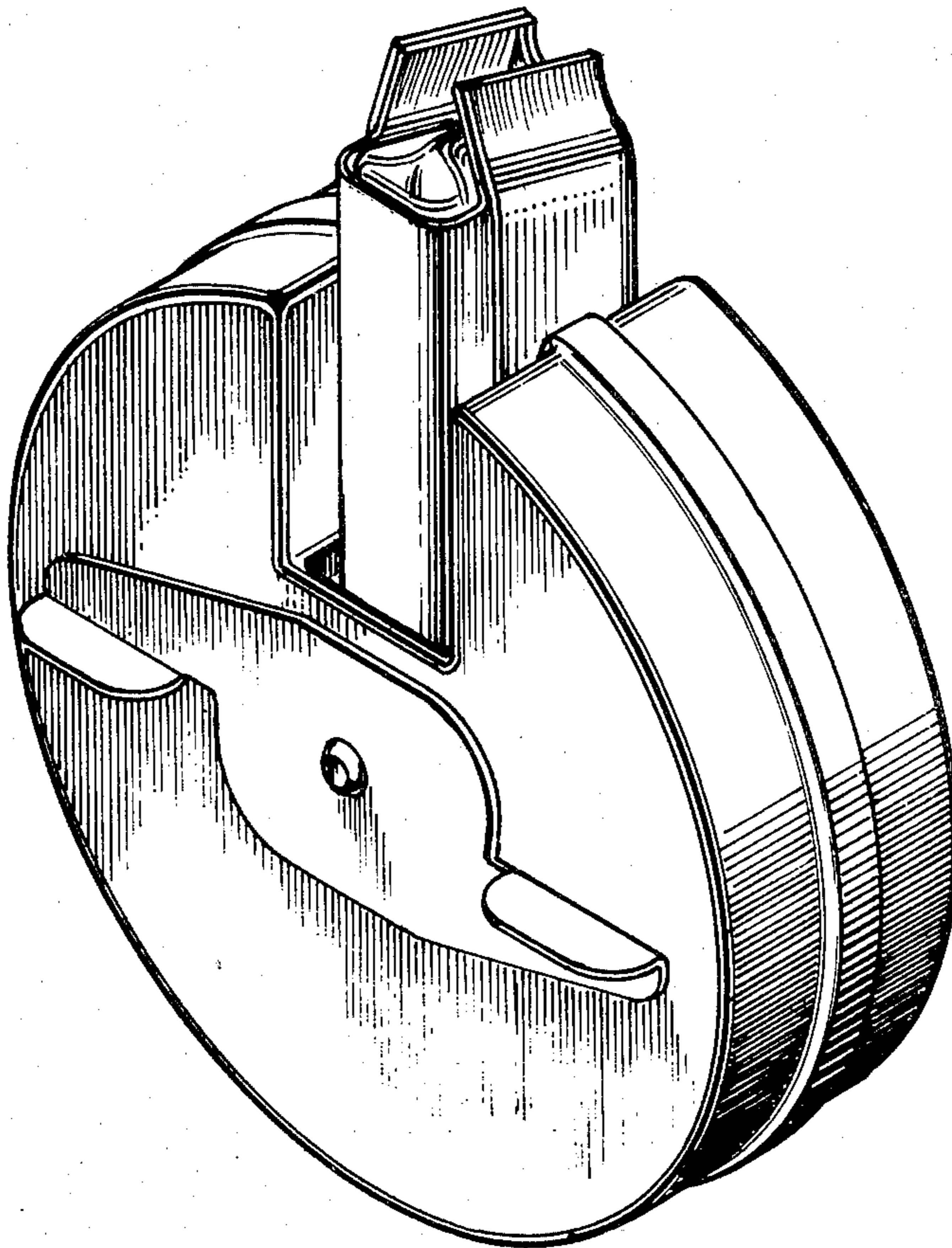
FIG. 8 is an isometric view of the rear of the embodiment of FIG. 7;

FIG. 9 is a bottom view thereof;

FIG. 10 is a top view thereof;

FIG. 11 is a front elevational view thereof; and

FIG. 12 is a rear elevational view thereof.



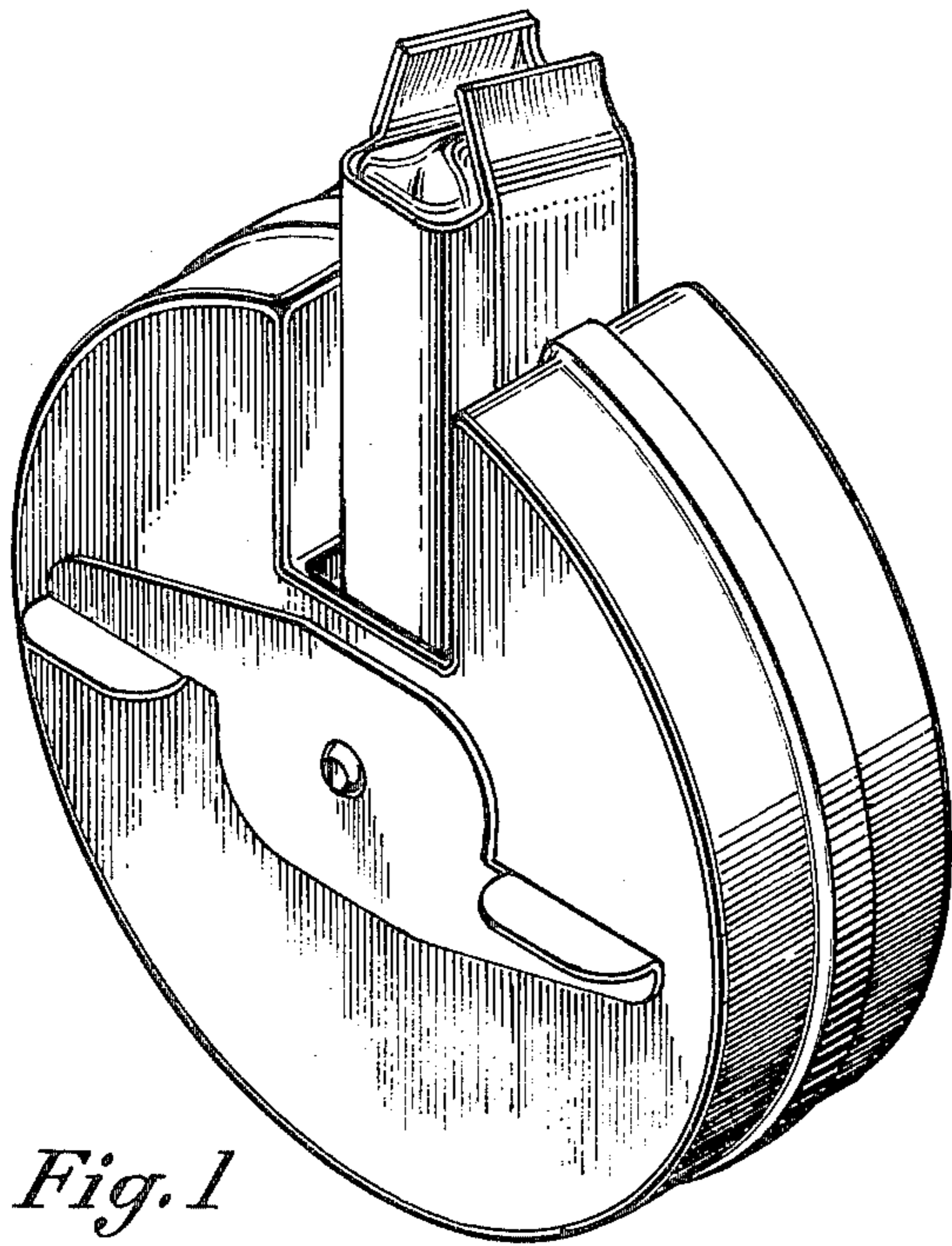


Fig. 1

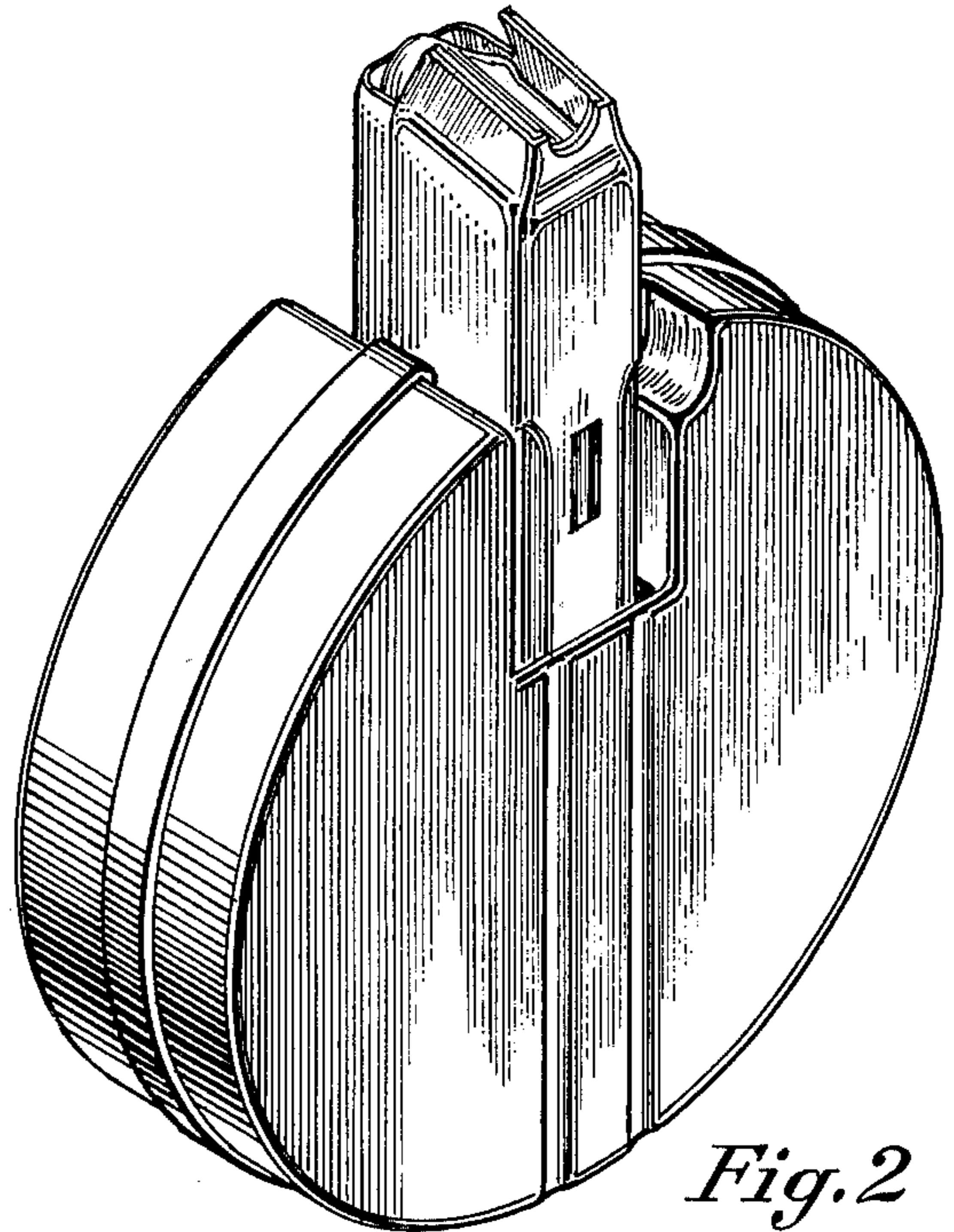


Fig. 2

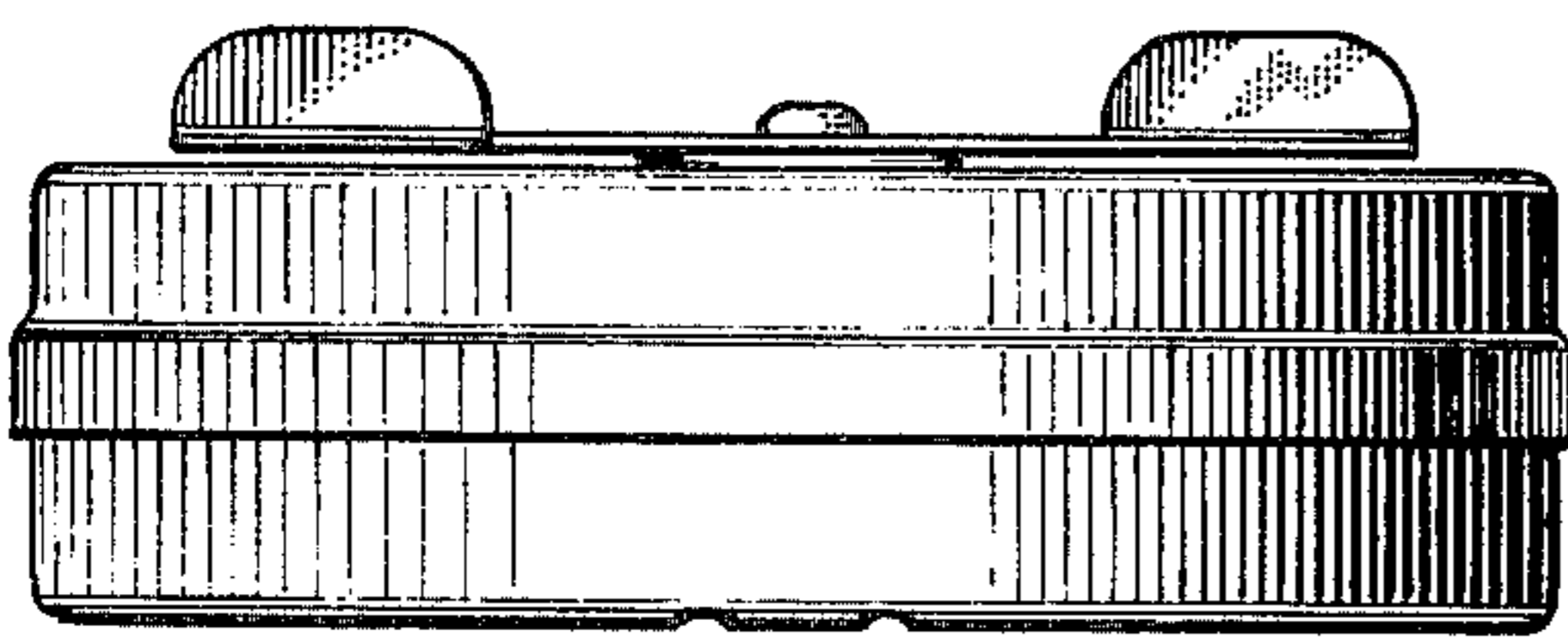


Fig. 3

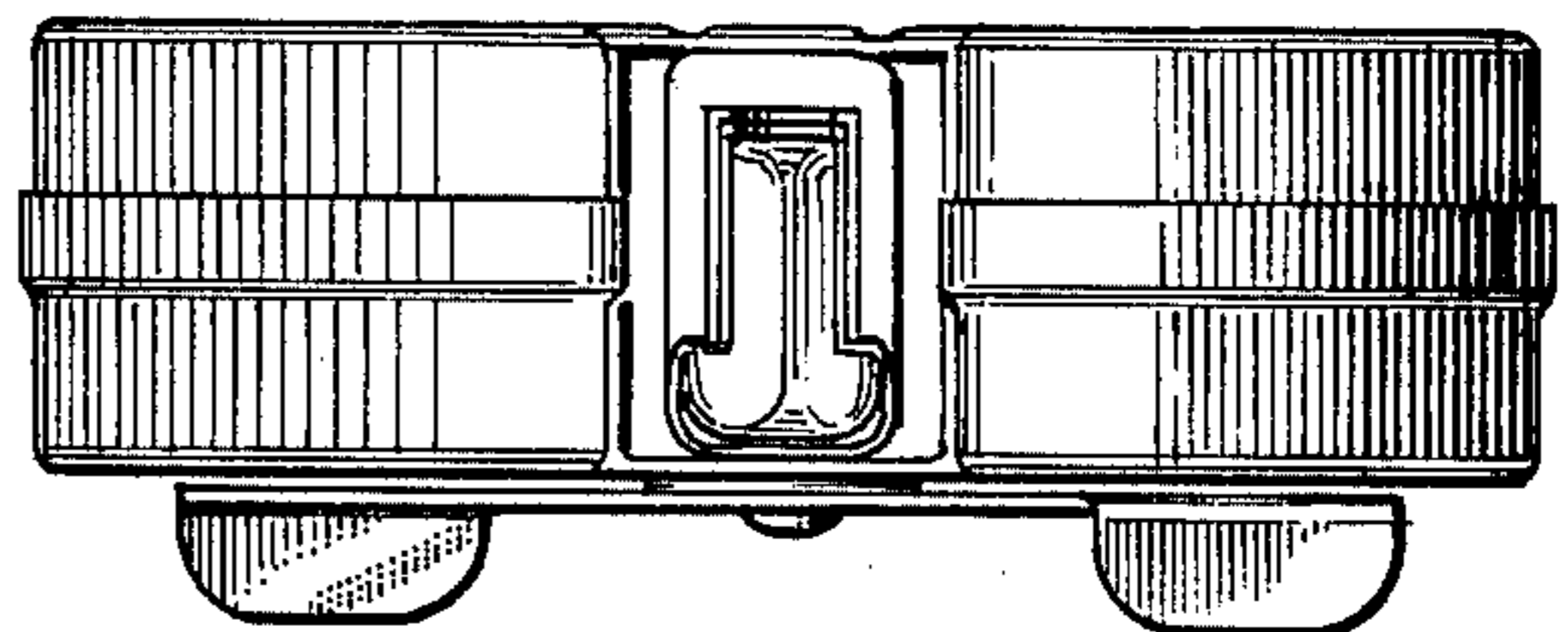


Fig. 4

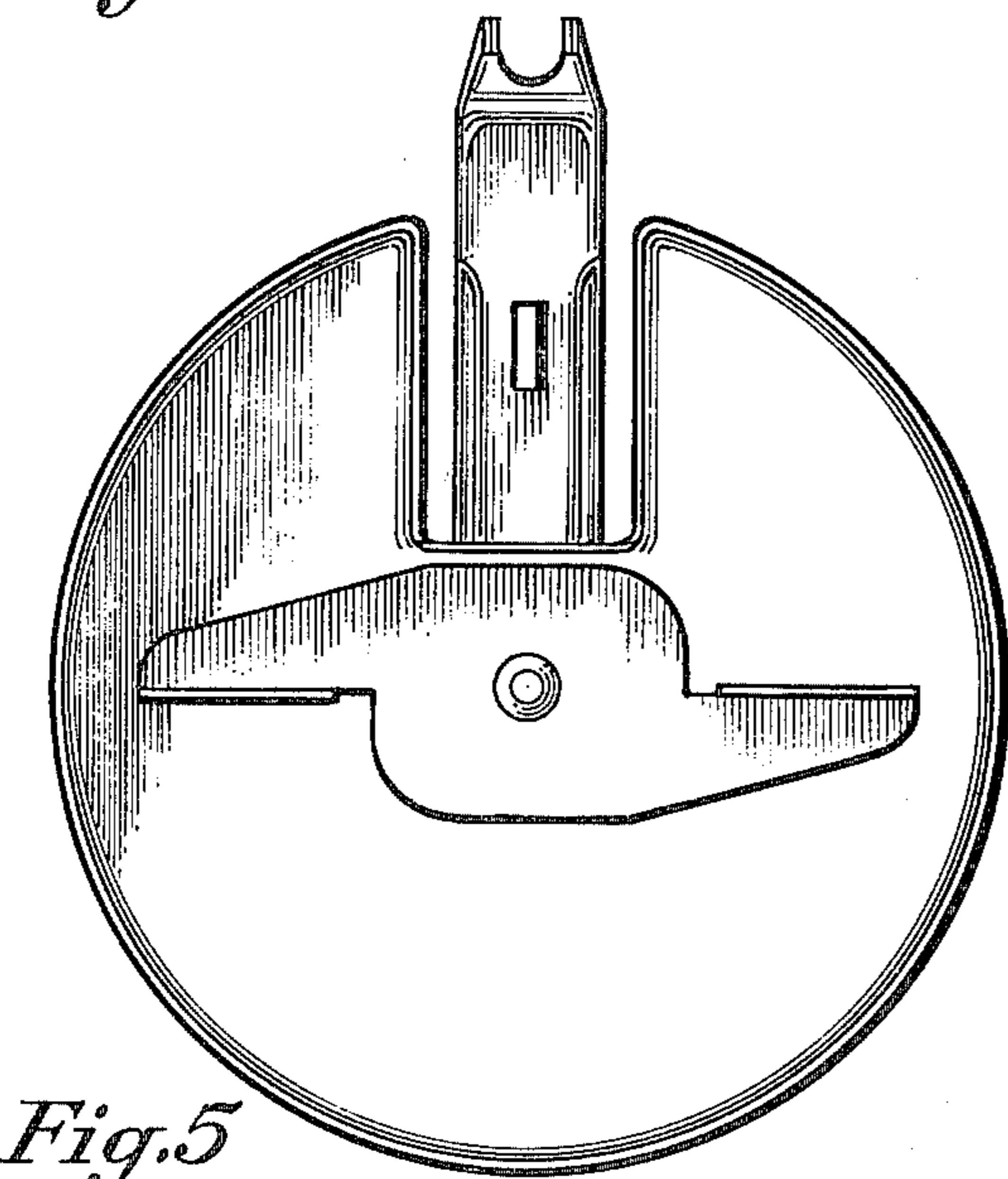


Fig. 5

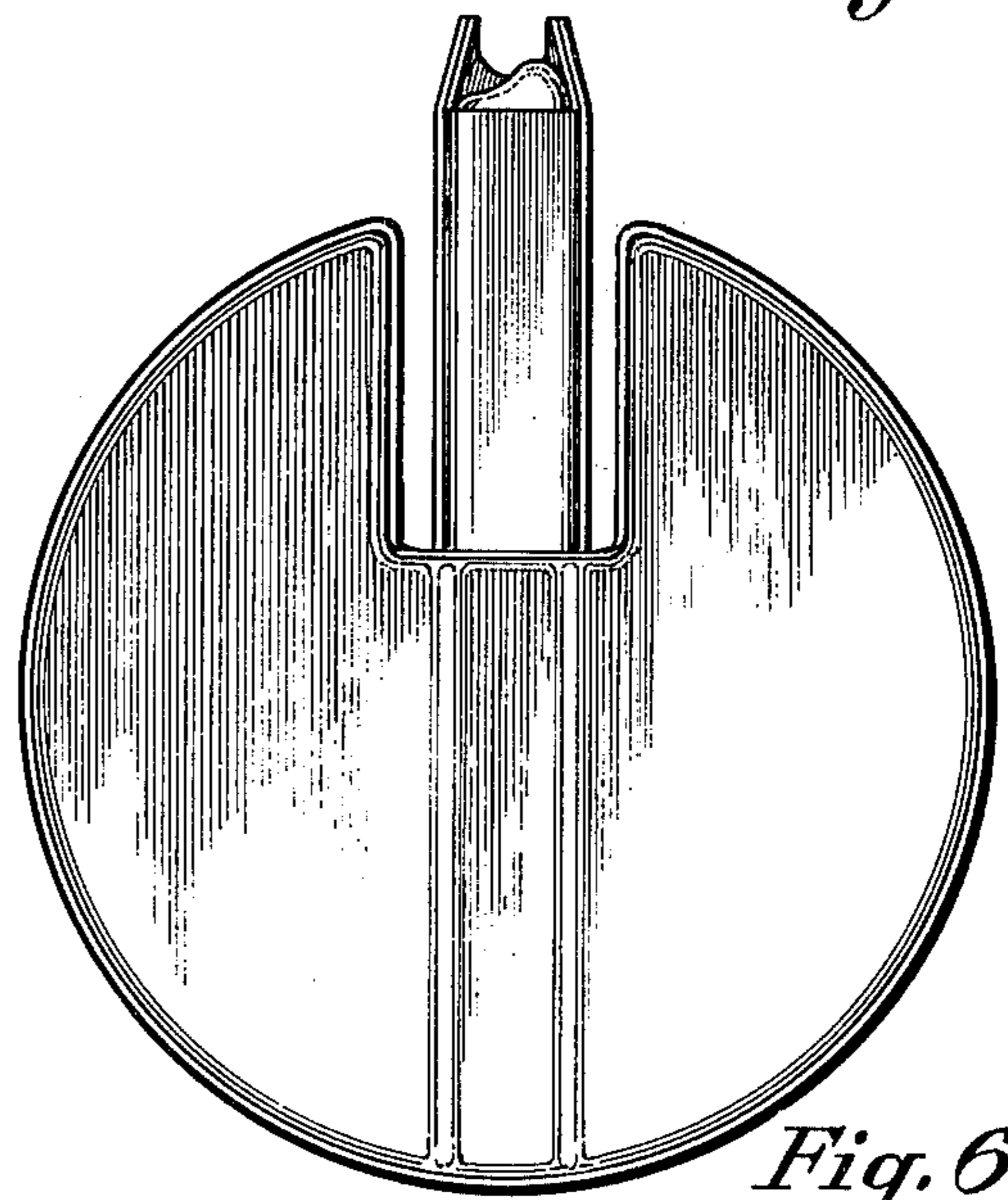


Fig. 6

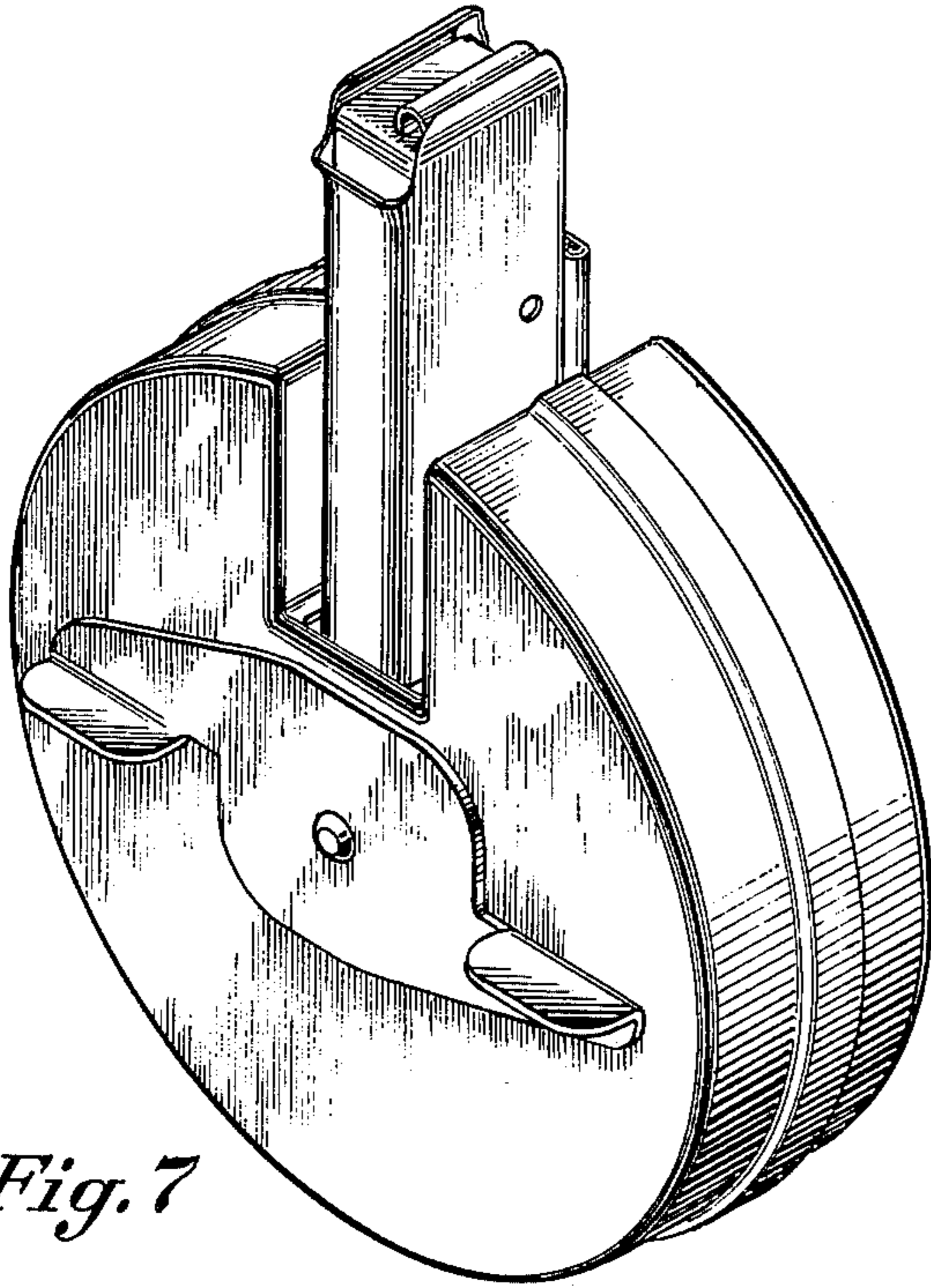


Fig. 7

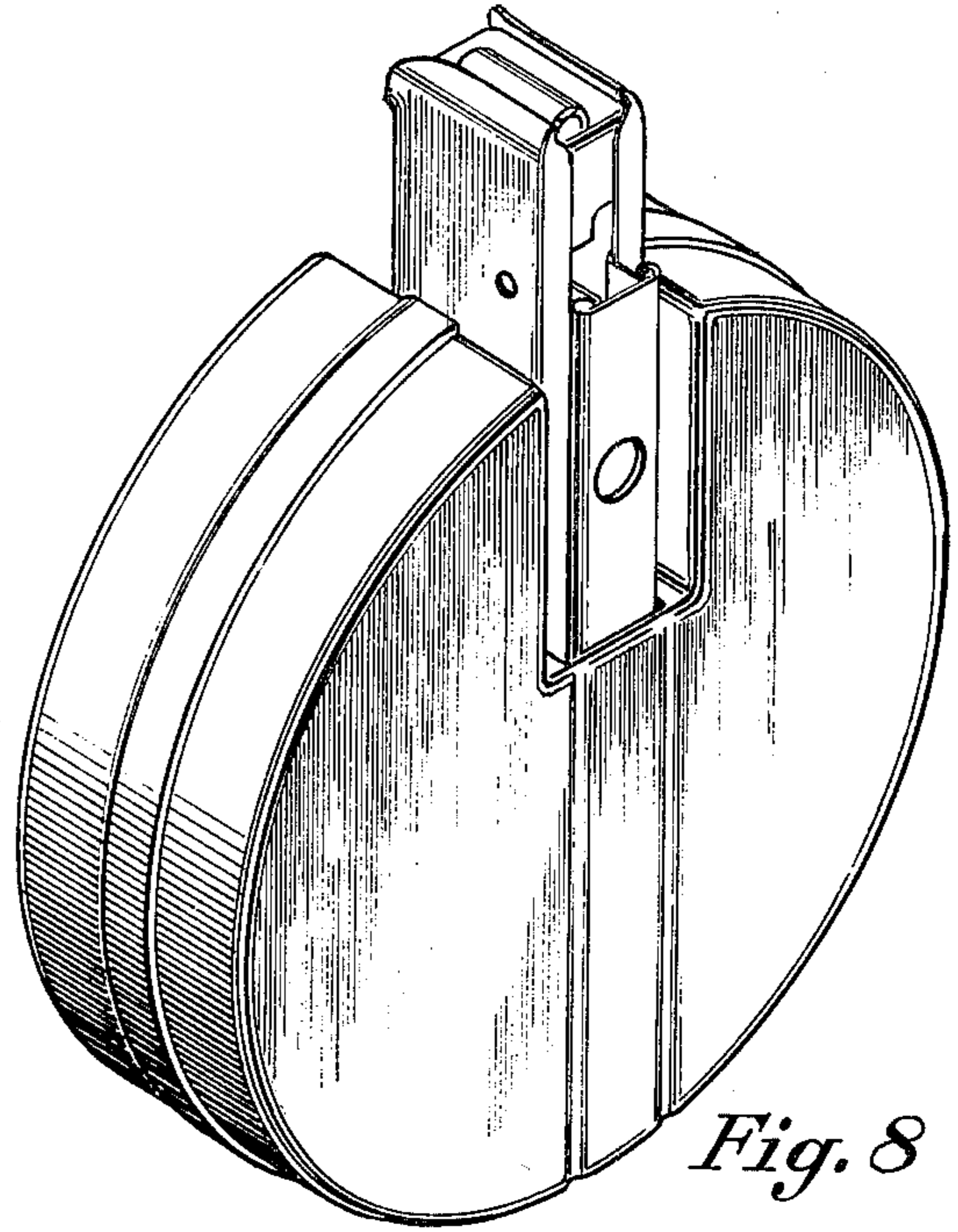


Fig. 8

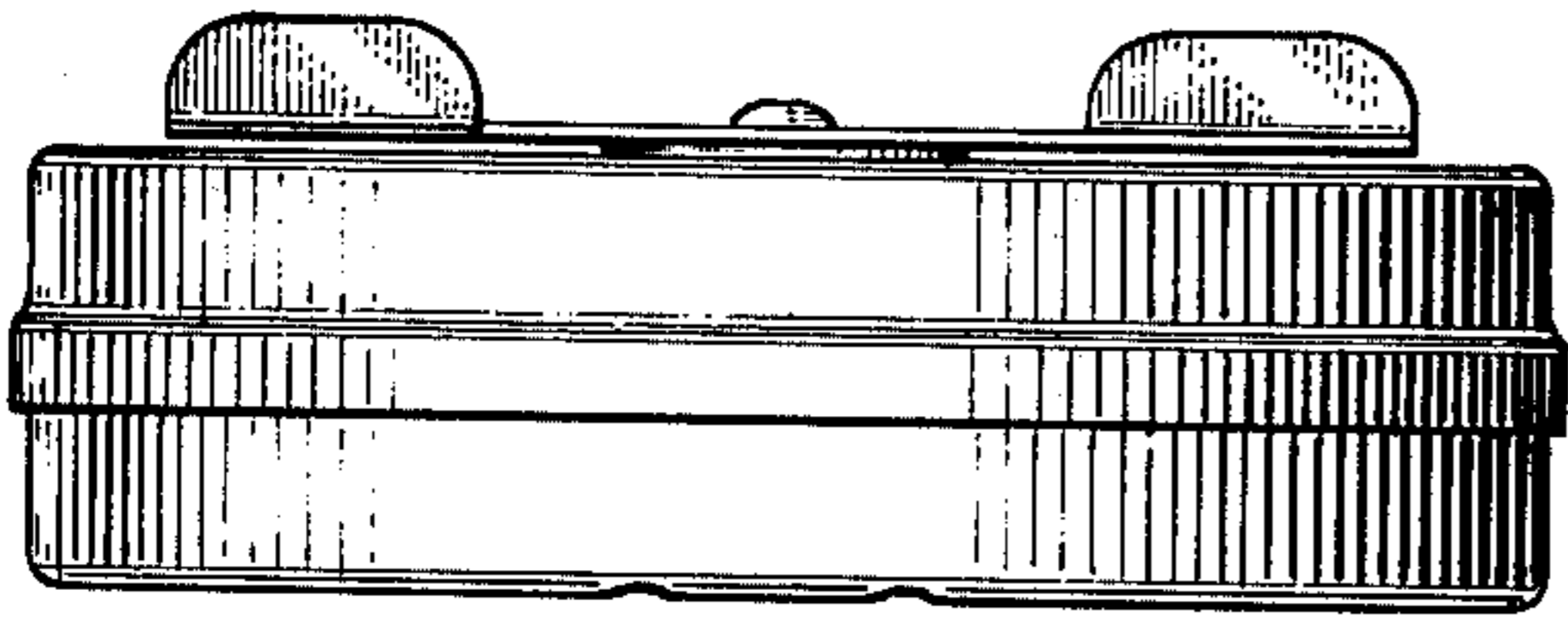


Fig. 9

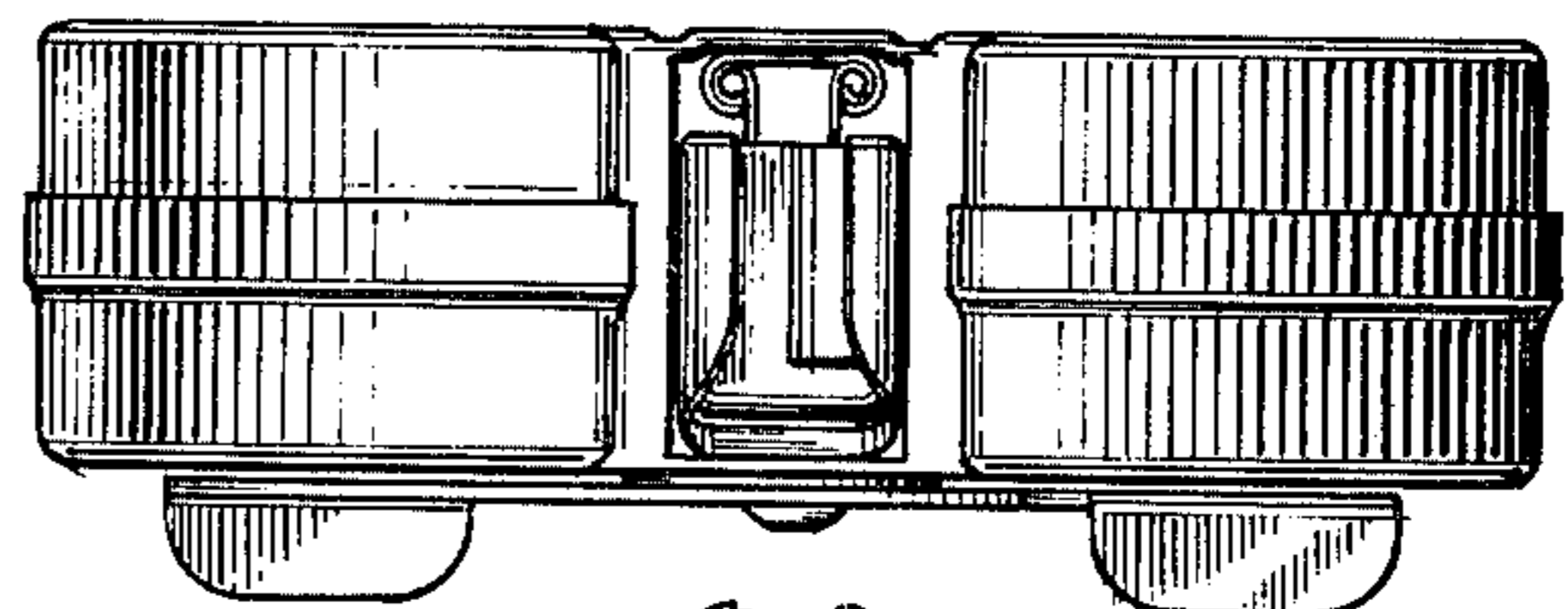


Fig. 10

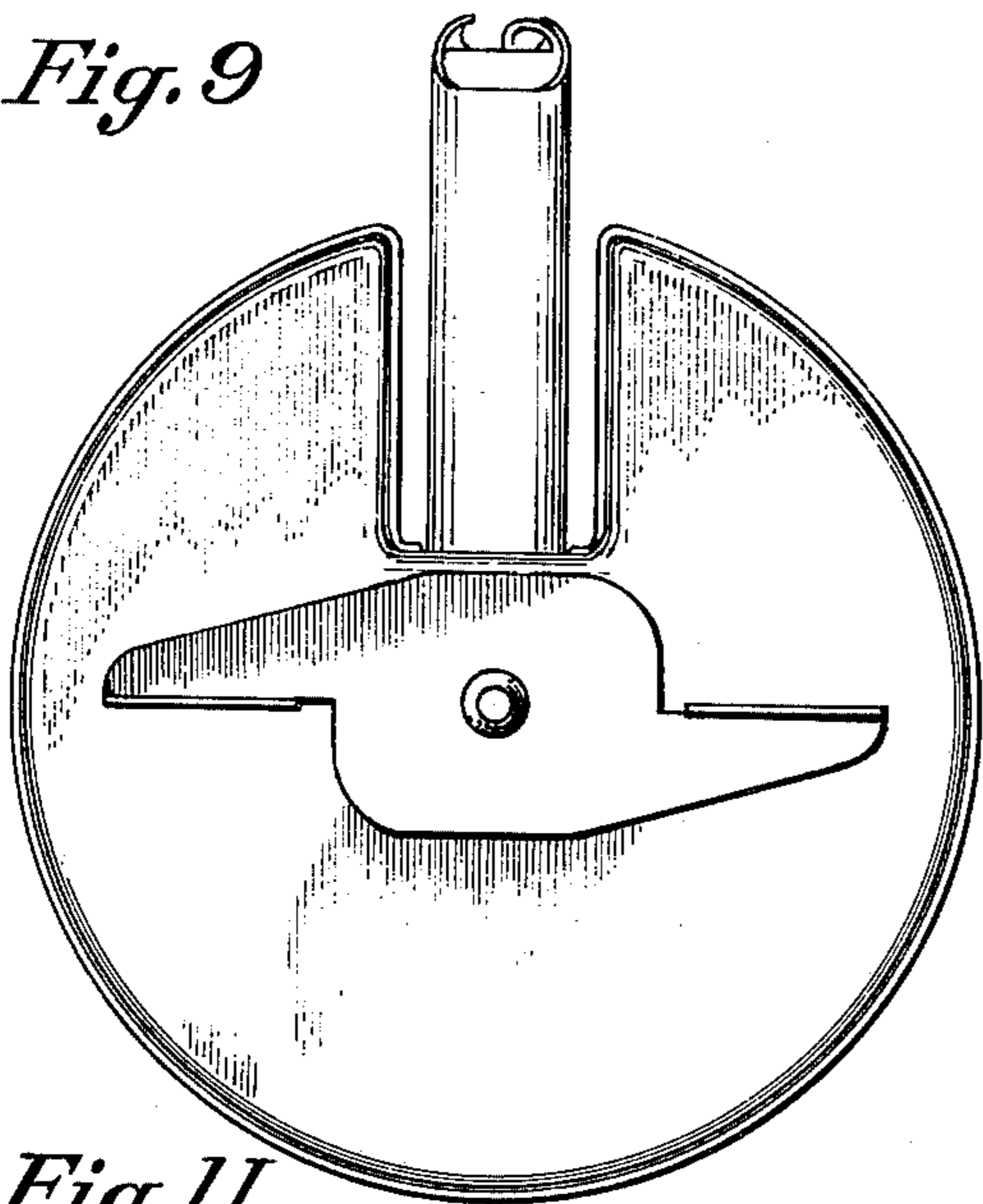


Fig. 11

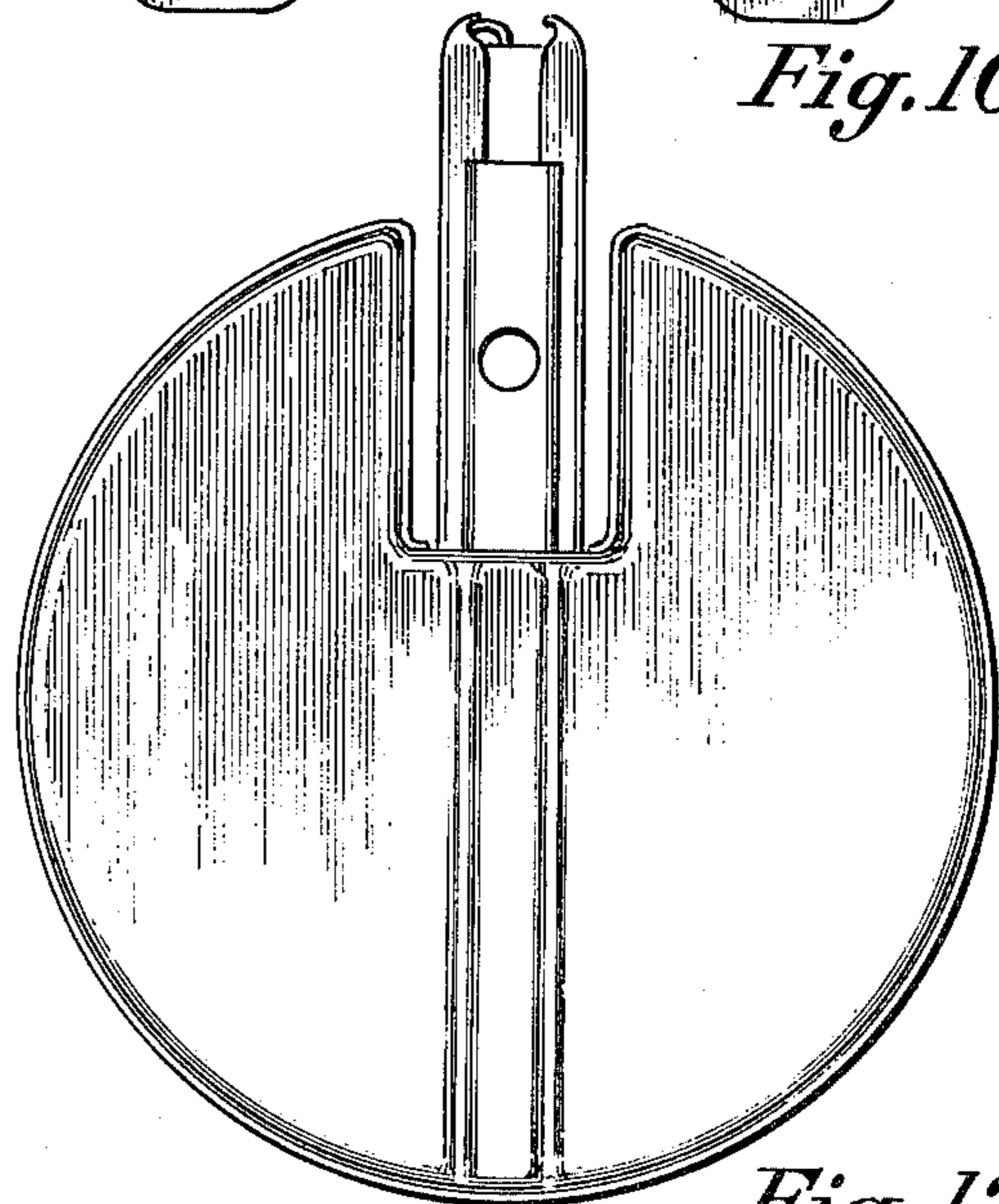


Fig. 12