

[54] TOY SUBMARINE

[56]

References Cited

U.S. PATENT DOCUMENTS

[75] Inventors: Sam Kupperman, Chicago; Dennis Kupperman, Glenview, both of Ill.

D. 238,598	1/1976	Tong .....	D21/130
3,036,403	5/1962	Presnell .....	46/250
3,176,648	4/1965	Cavero .....	114/337
3,678,872	7/1972	Migliaccio et al. ....	114/338

[73] Assignee: RB Toy Development Co., Skokie, Ill.

Primary Examiner—George G. Stellar  
Attorney, Agent, or Firm—Vogel, Dithmar, Stotland

[\*\*] Term: 14 Years

[57] CLAIM

[21] Appl. No.: 851,531

The ornamental design for a toy submarine, as shown.

[22] Filed: Nov. 14, 1977

DESCRIPTION

[51] Int. Cl. .... D21—01

FIG. 1 is a side elevational view of the toy submarine showing our new design;

[52] U.S. Cl. .... D21/130

FIG. 2 is a top plan view thereof;

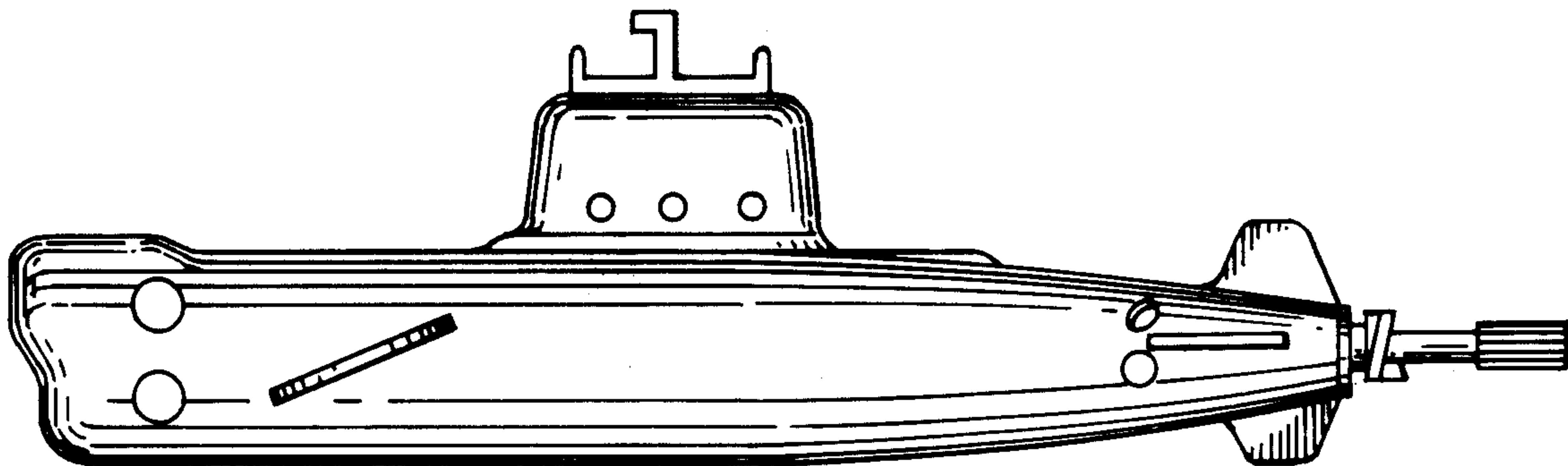
[58] Field of Search ..... D12/65; D21/130; 46/95,

FIG. 3 is a bottom plan view thereof;

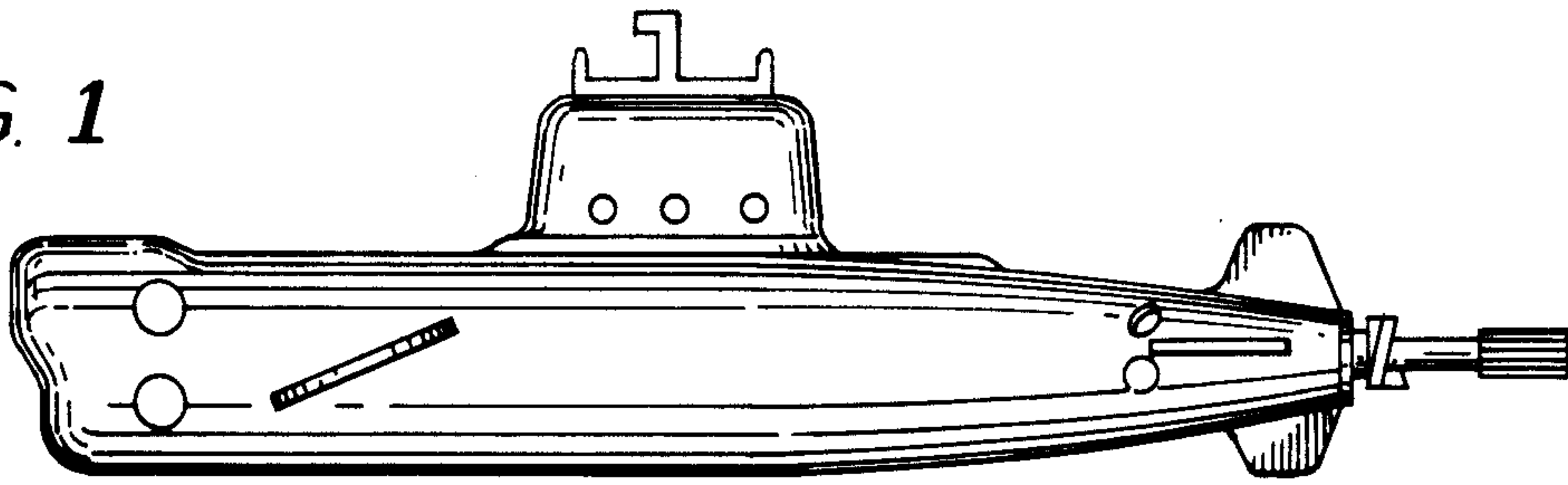
46/96, 250; 114/312, 337, 338

FIG. 4 is a front elevational view thereof; and

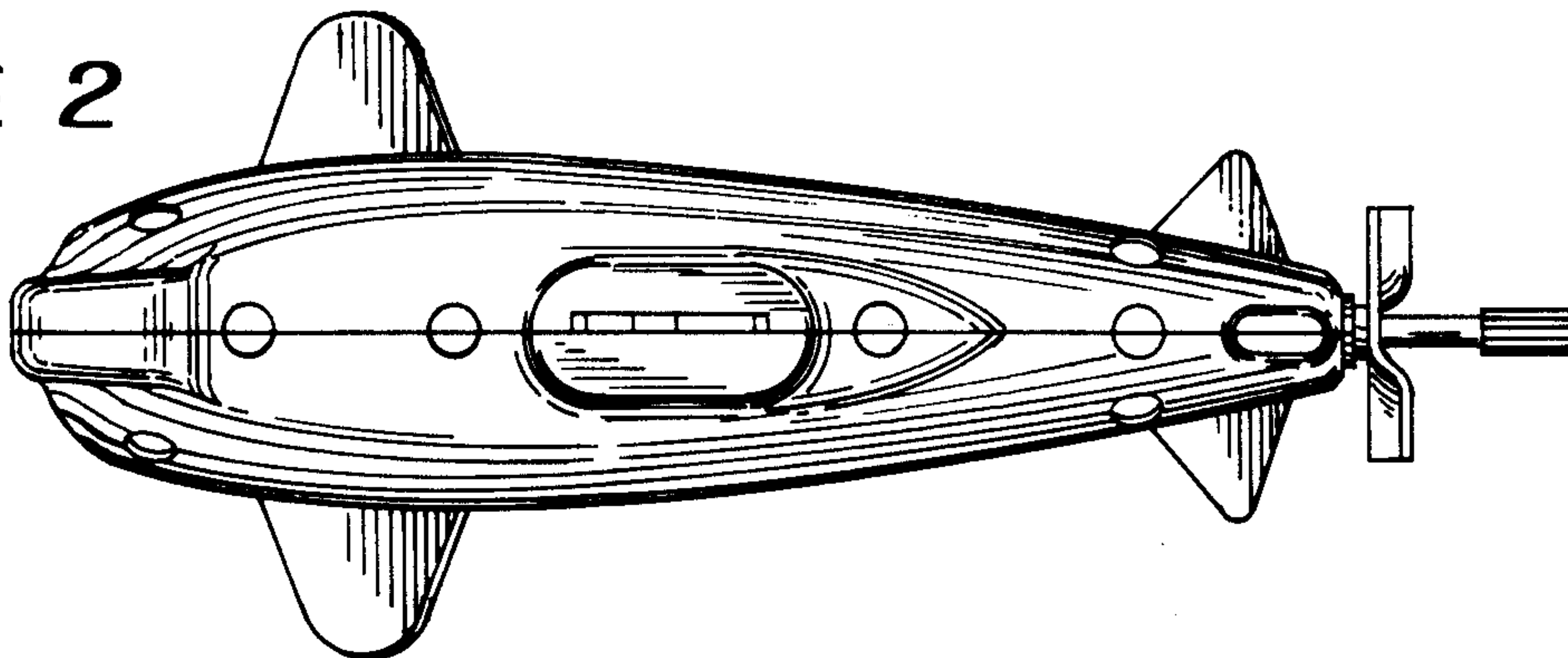
FIG. 5 is a rear elevational view thereof.



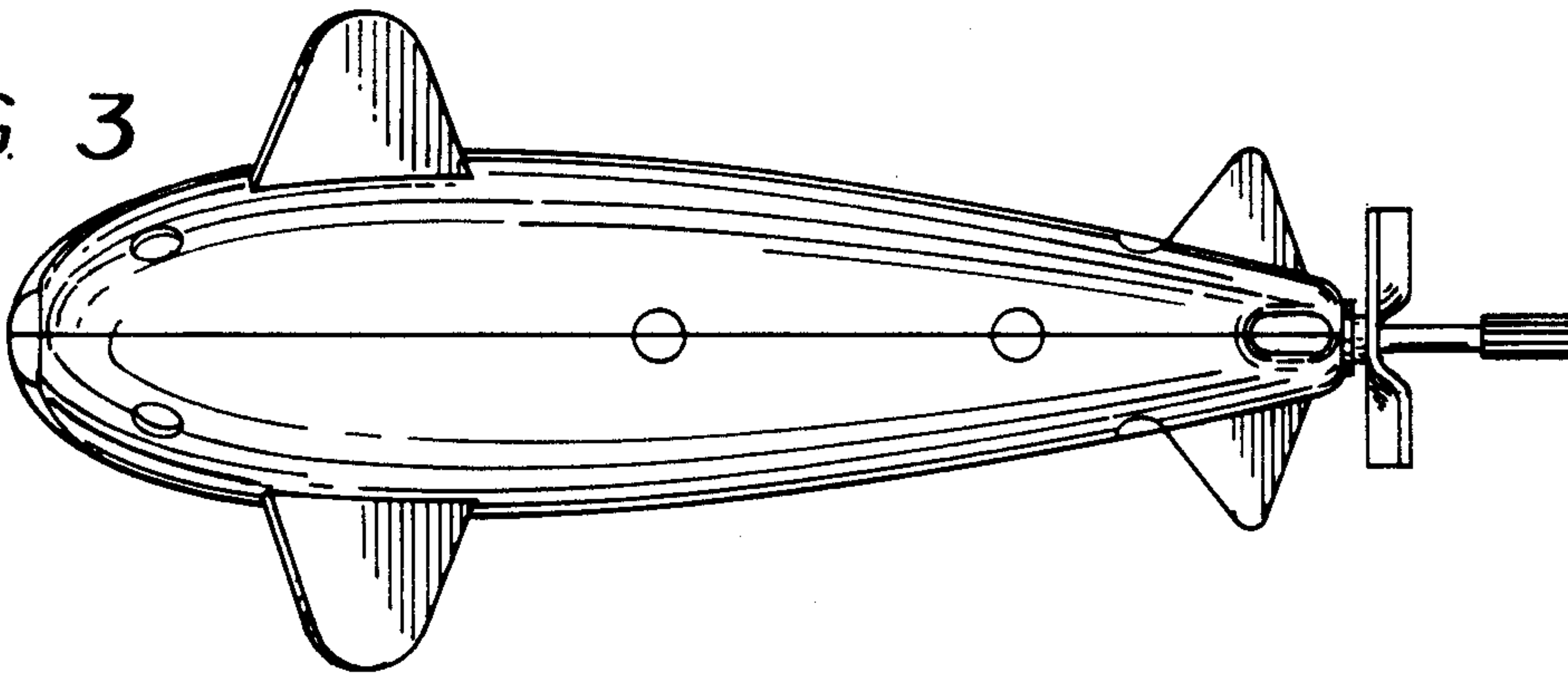
*FIG. 1*



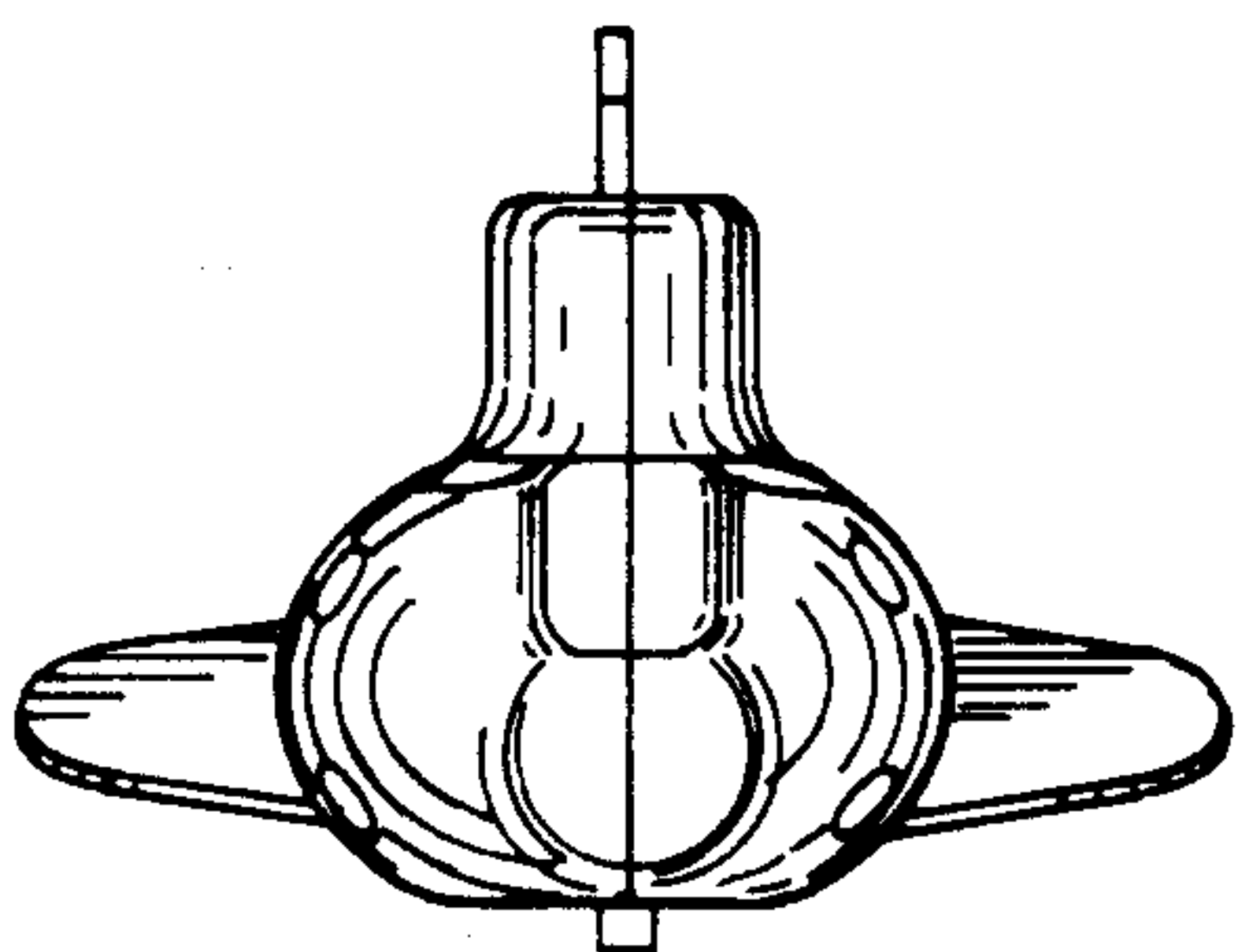
*FIG. 2*



*FIG. 3*



*FIG. 4*



*FIG. 5*

