

[54] TOY SPINNER OR SIMILAR ARTICLE

[75] Inventors: Sam Kupperman, Chicago; Dennis Kupperman, Glenview, both of Ill.

[73] Assignee: RB Toy Development Co., Skokie, Ill.

[\*\*] Term: 14 Years

[21] Appl. No.: 4,158

[22] Filed: Jan. 17, 1979

Related U.S. Application Data

[63] Continuation-in-part of Ser. No. 787,076, Apr. 13, 1977.

[51] Int. Cl. .... D21-01

[52] U.S. Cl. .... D21/93

[58] Field of Search ..... D21/93, 92; 46/49, 41, 46/50, 53, 44, 58, 60-64; D12/114

[56] References Cited

U.S. PATENT DOCUMENTS

D. 240,911	8/1976	Vachon .....	D12/114
1,645,702	10/1927	Ischinger .....	46/53
2,091,389	8/1937	Exline et al. ....	46/53
4,031,656	6/1977	Kupperman et al. ....	D12/114

Primary Examiner—Charles A. Rademaker  
Attorney, Agent, or Firm—David A. Vogel

[57] CLAIM

The ornamental design for a toy spinner or similar article, as shown.

DESCRIPTION

FIG. 1 is a perspective view of a toy spinner or similar article showing our new design;  
FIG. 2 is a front elevational view thereof;  
FIG. 3 is an inverted rear elevational view thereof;  
FIG. 4 is a bottom plan view thereof;  
FIG. 5 is a top plan view thereof; and  
FIG. 6 is a right side elevational view thereof.

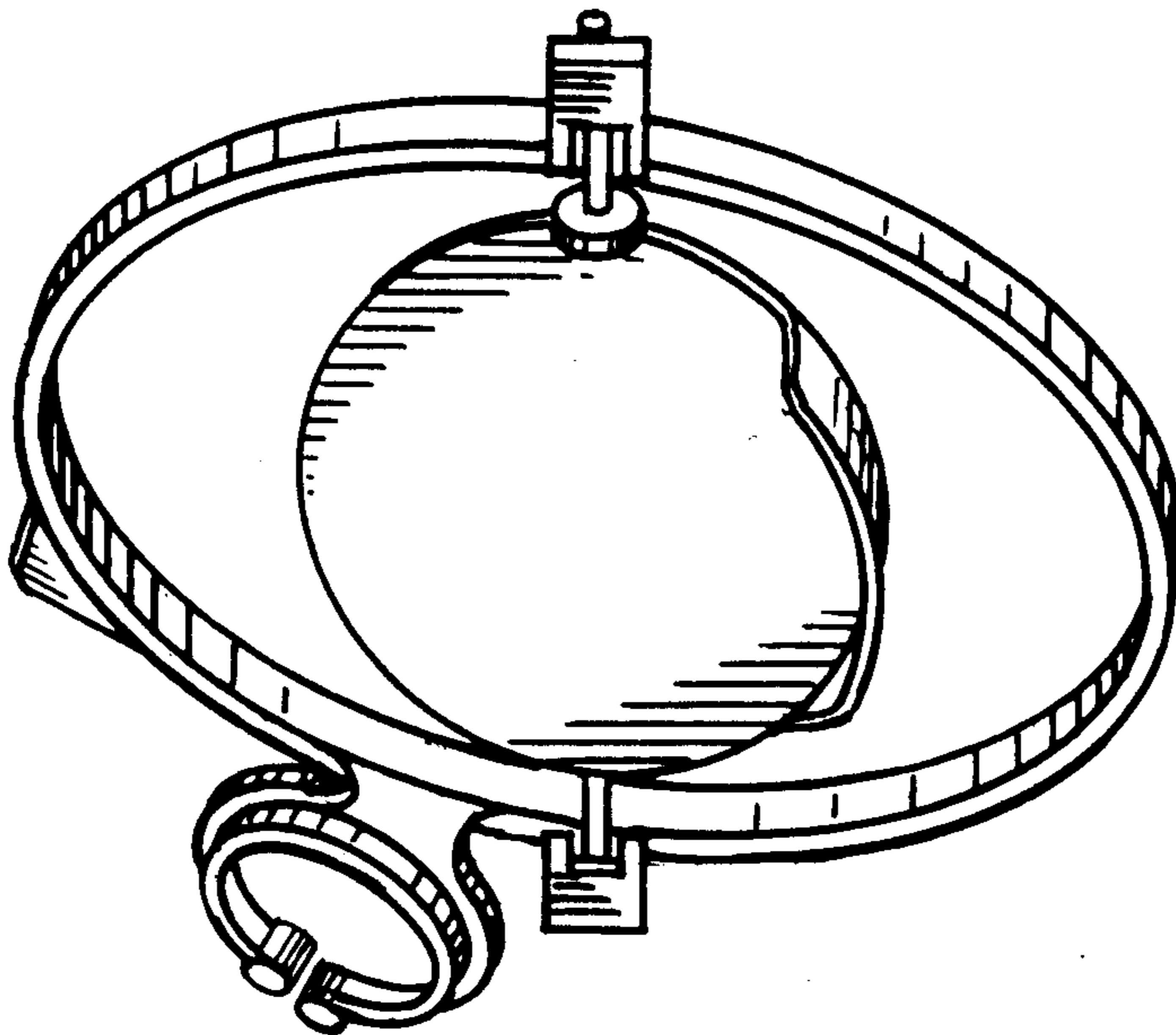


FIG. 2

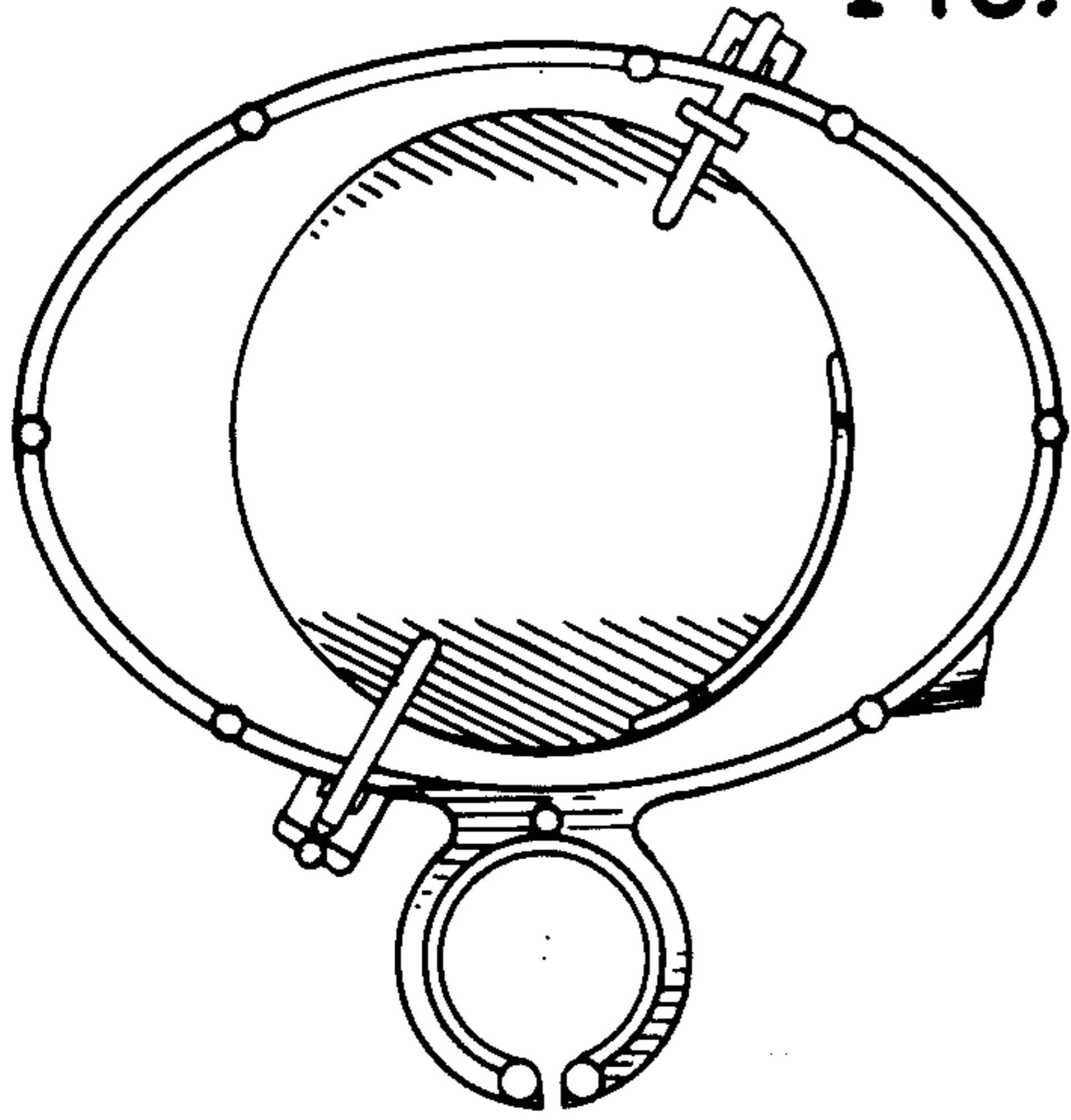


FIG. 1

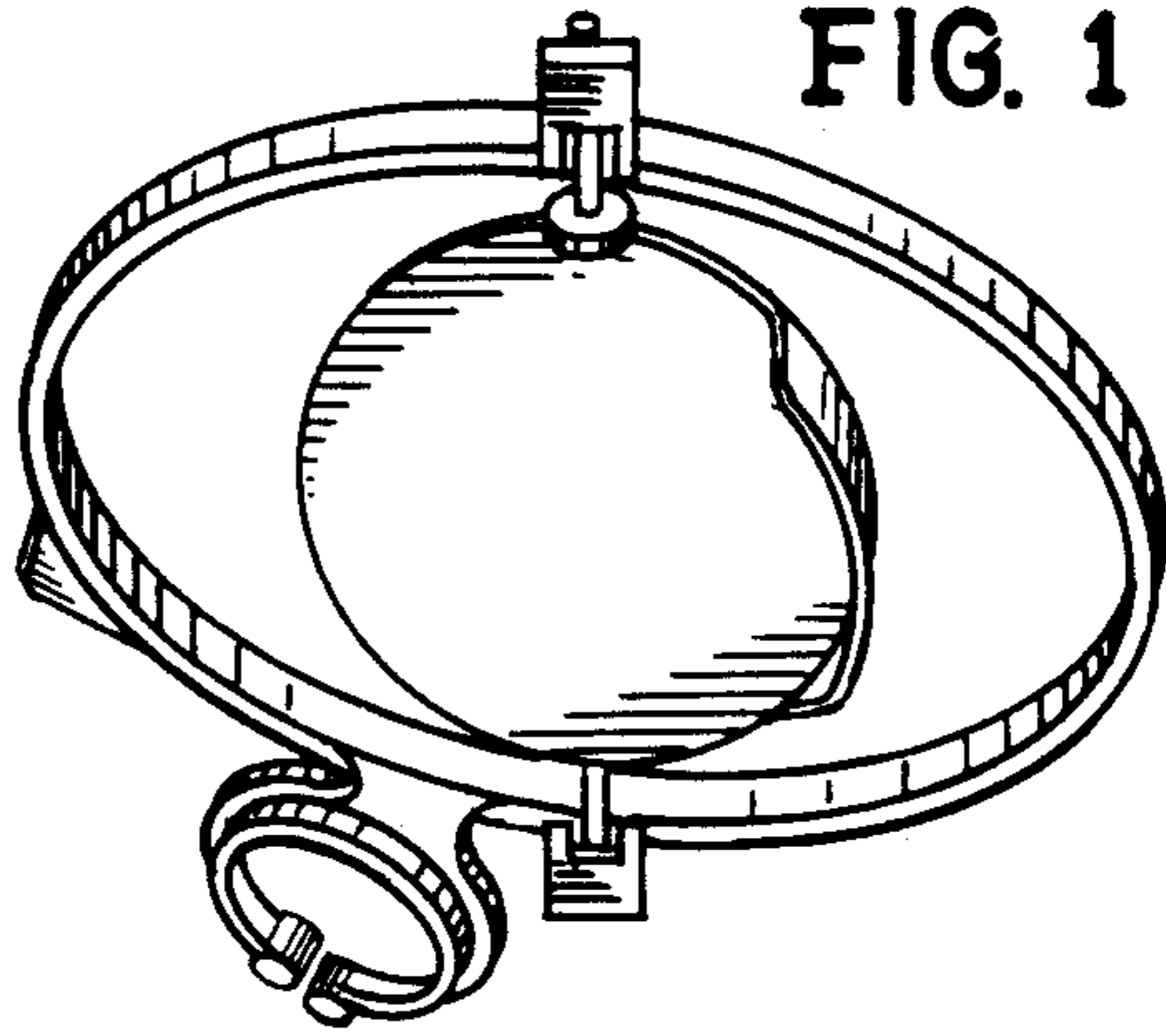


FIG. 3

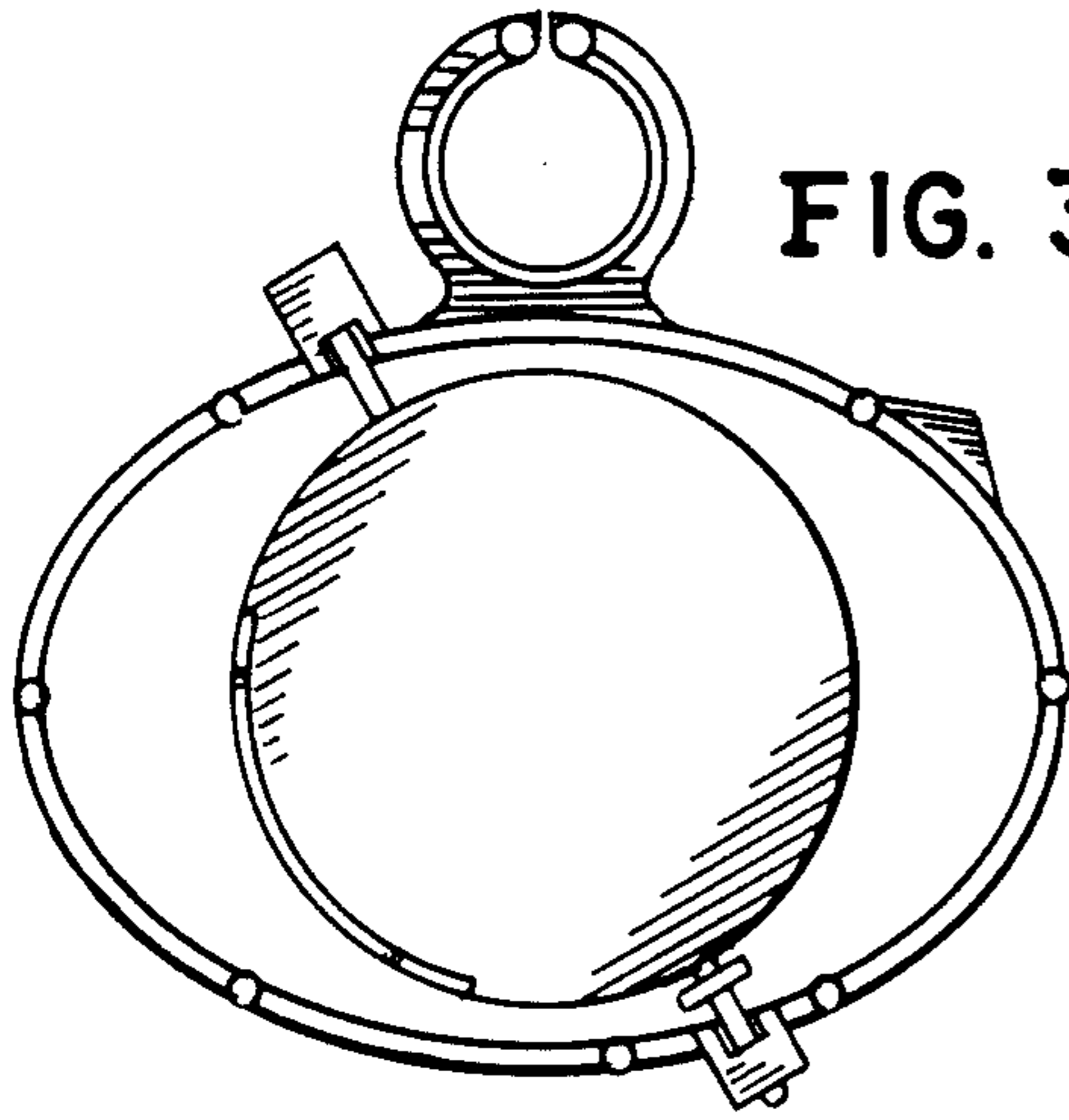


FIG. 4



FIG. 5

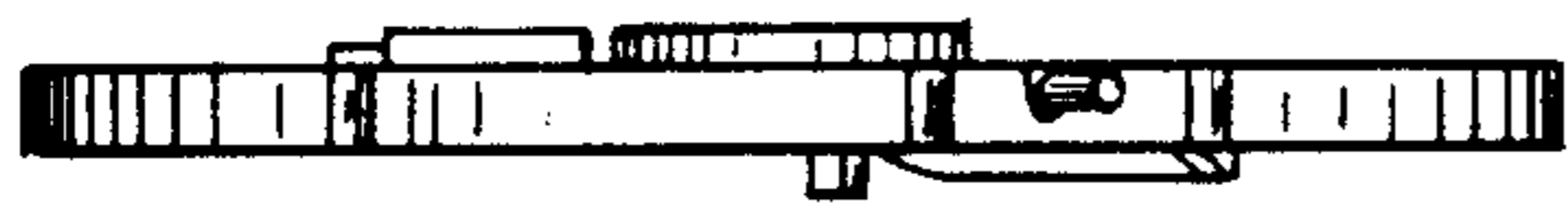


FIG. 6

