

[54] SIMULATIVE TOY VEHICLE

[76] Inventor: Ruth Brown, c/o Franklin Society, Federal Savings and Loan Association, 217 Broadway, New York, N.Y. 10007

[\*\*] Term: 7 Years

[21] Appl. No.: 63,983

[22] Filed: Aug. 6, 1979

Related U.S. Application Data

[63] Continuation-in-part of Ser. No. 797,595, May 16, 1977, abandoned.

[51] Int. Cl. .... D21-01

[52] U.S. Cl. .... D21/80; D21/136

[58] Field of Search ..... D2/244; 280/87.01, 87.02, 280/47.14, 1.11 R; 46/220, 201, 202; D21/109, 128, 136, 76, 78, 80

[56] References Cited

U.S. PATENT DOCUMENTS

D. 218,229 8/1970 Ponthieu ..... D21/80  
D. 231,911 6/1974 Baker ..... D21/136

OTHER PUBLICATIONS

Rawlings Catalog, 1951, #1, p. 13, Baseball Cap at lower left corner of page.

Primary Examiner—Charles A. Rademaker  
Attorney, Agent, or Firm—Richard L. Miller

[57] CLAIM

The ornamental design for simulative toy vehicle, as shown and described.

DESCRIPTION

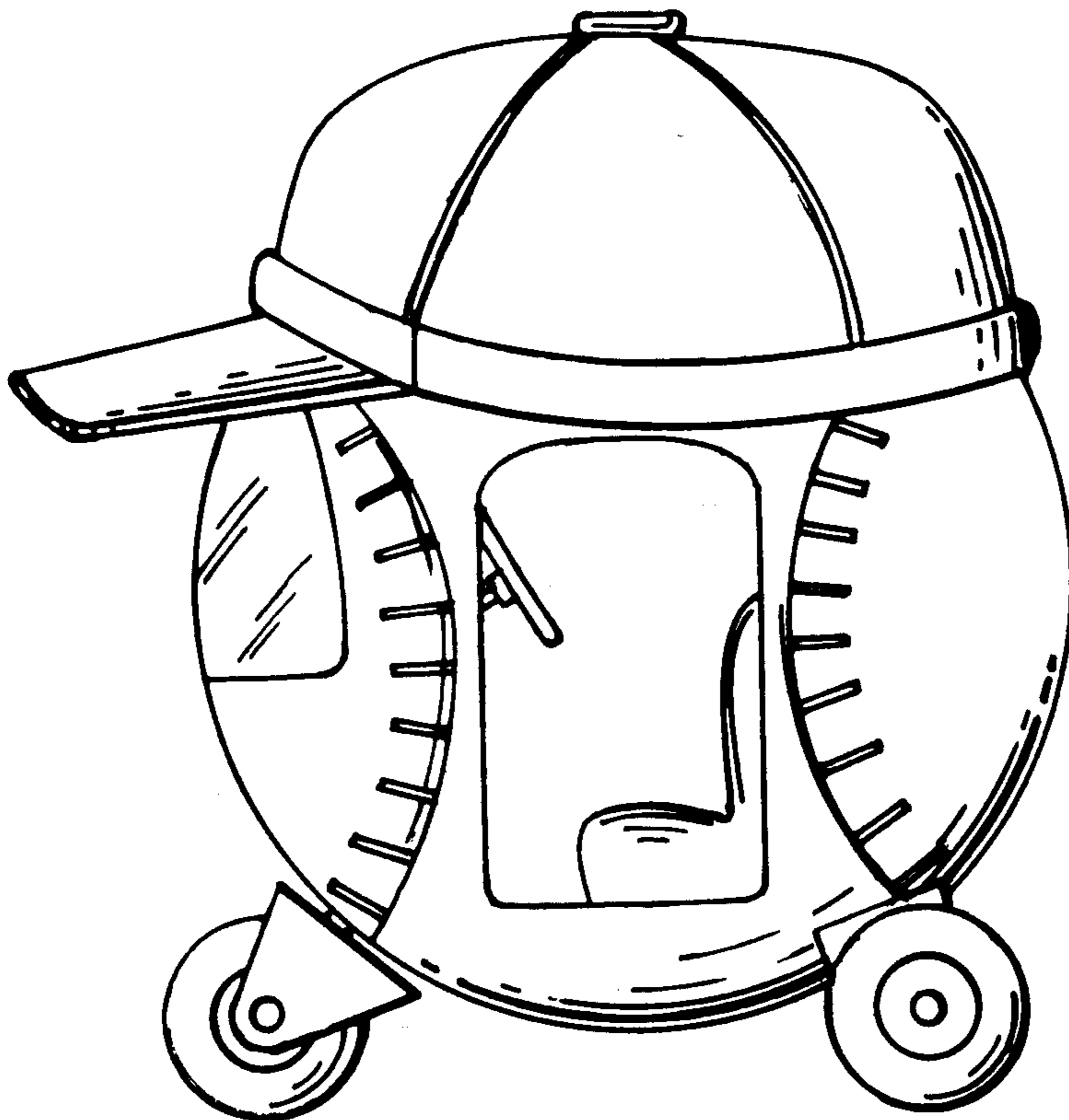
FIG. 1 is a top plan view of a simulative toy vehicle showing my new design;

FIG. 2 is a front elevational view thereof;

FIG. 3 is a side elevational view thereof, the side opposite being substantially a mirror image;

FIG. 4 is a rear elevational view thereof; and

FIG. 5 is a bottom plan view thereof.



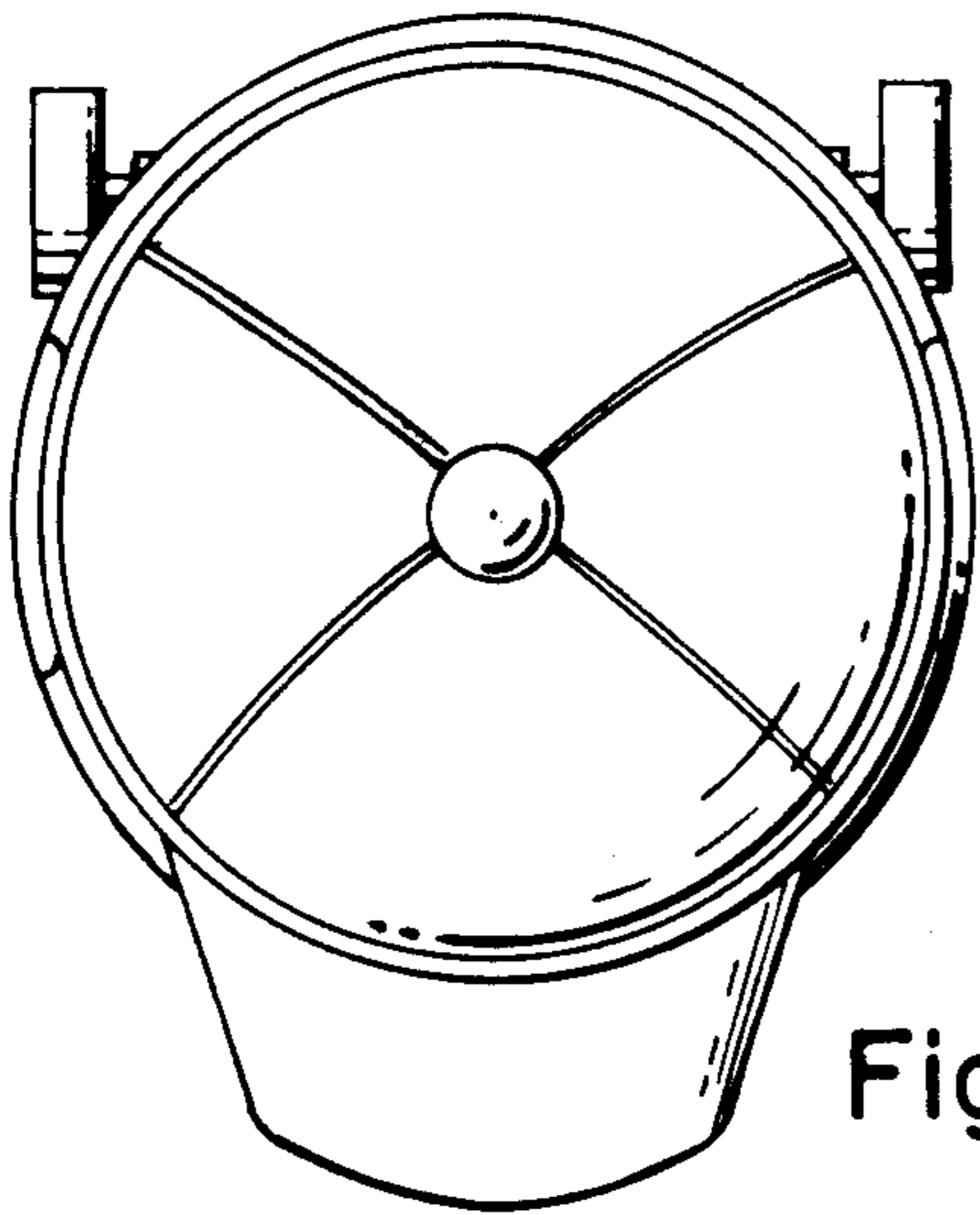


Fig. 1

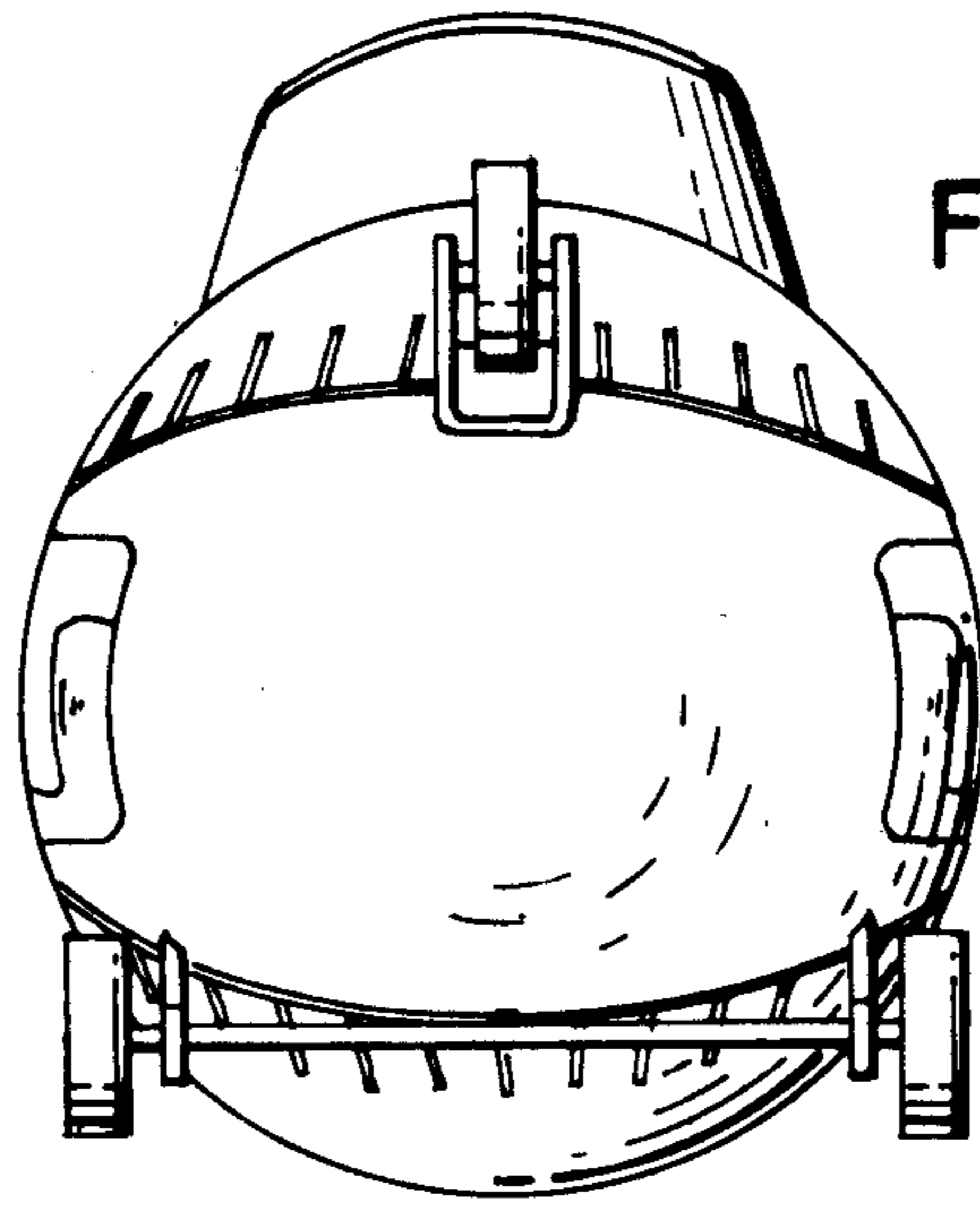


Fig. 5

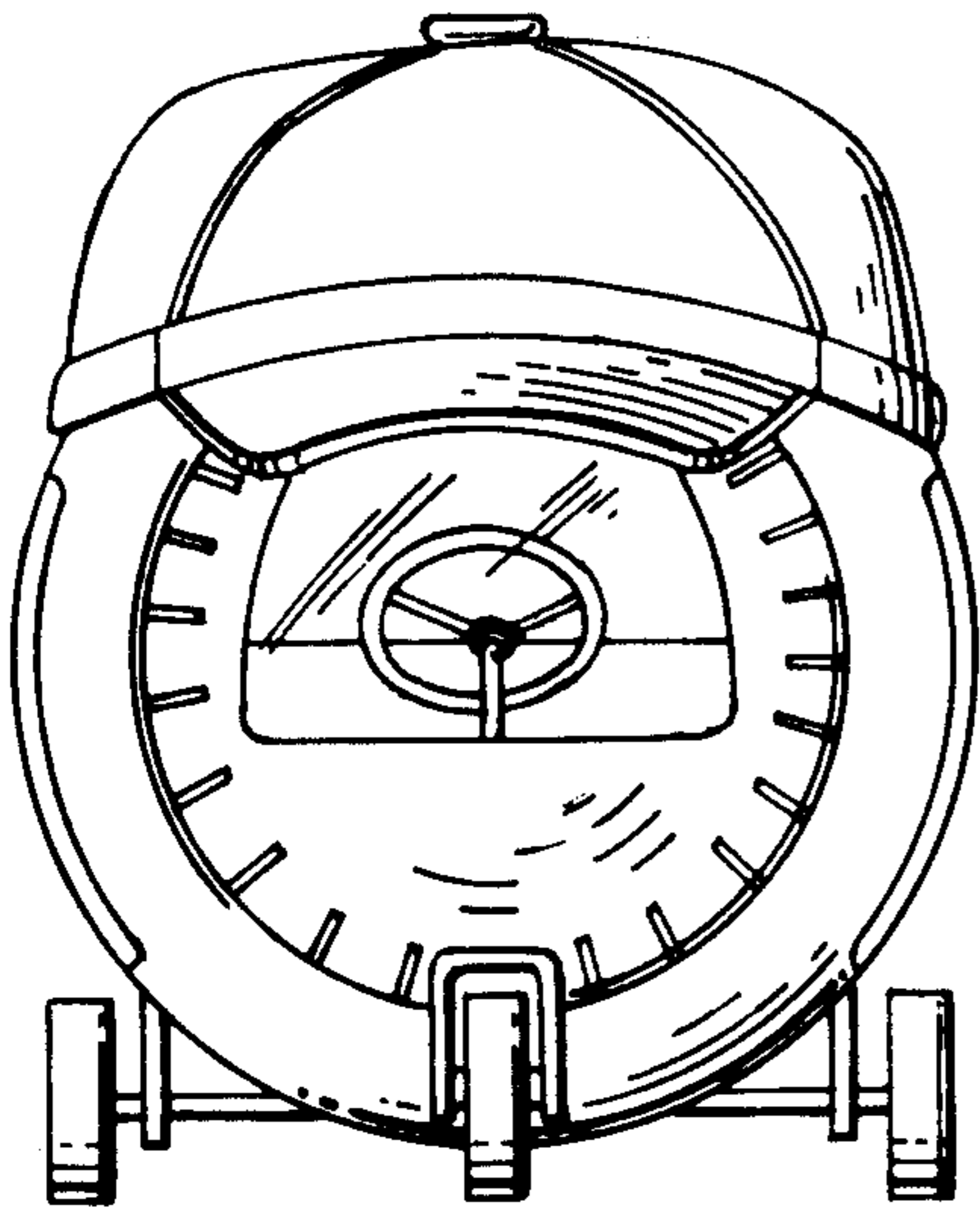


Fig. 2

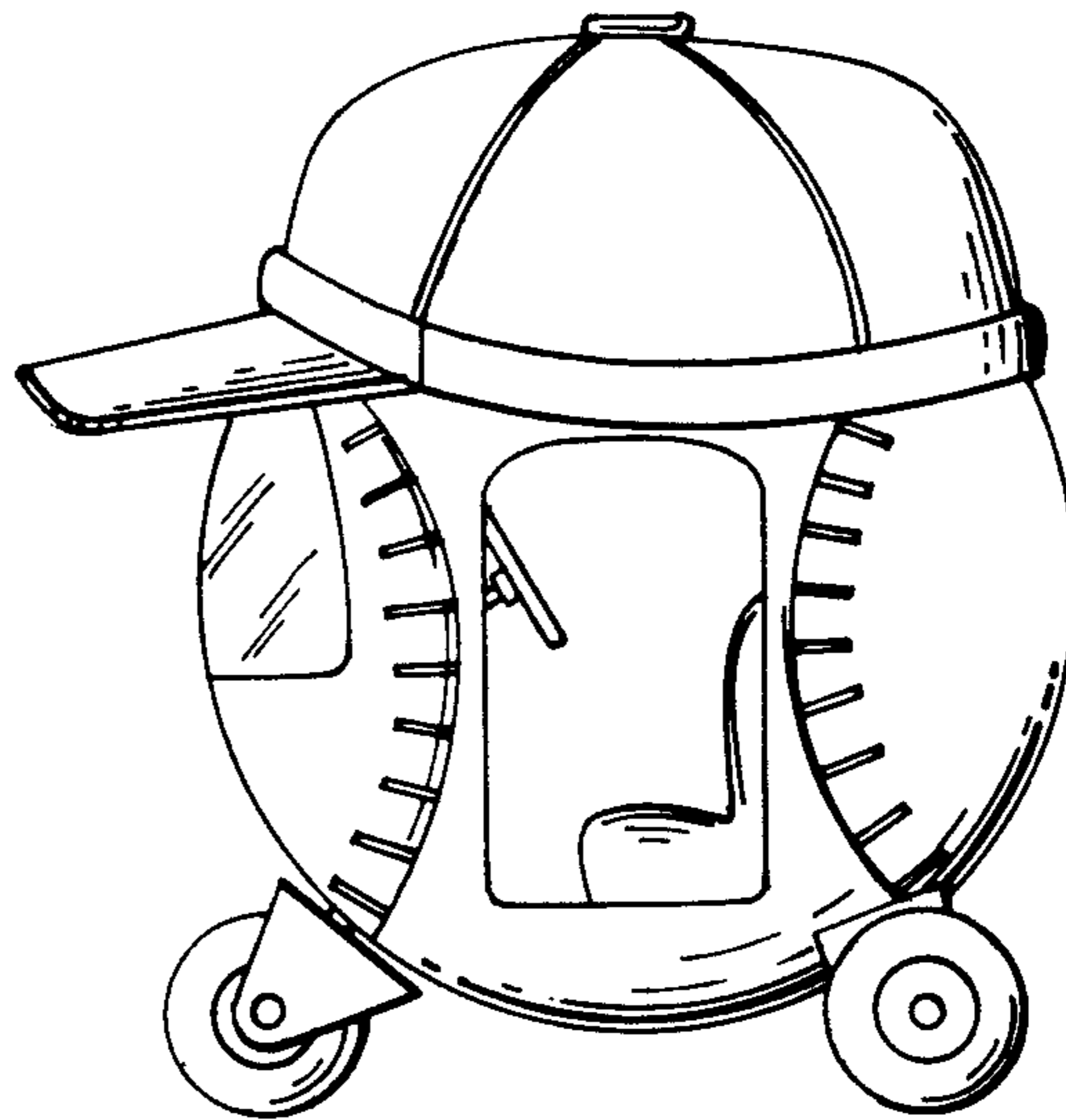


Fig. 3

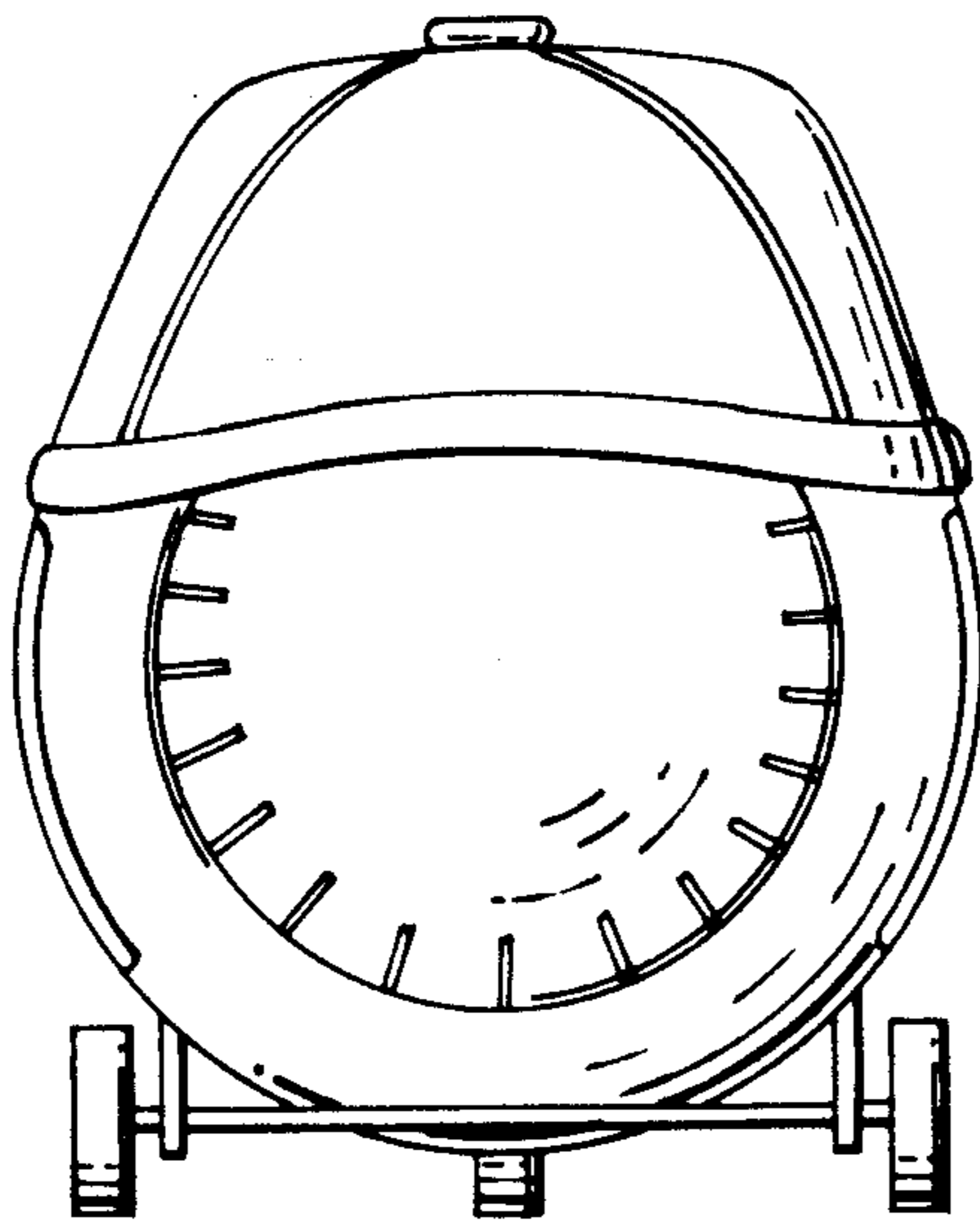


Fig. 4