

[54] STORAGE BOX WITH SLIDING LIDS

[76] Inventor: John O. Wright, 35 Heybridge St., Manurewa, Auckland, New Zealand

[**] Term: 14 Years

[21] Appl. No.: 867,357

[22] Filed: Jan. 5, 1978

[30] Foreign Application Priority Data

Jul. 6, 1977 [NZ] New Zealand 15050

[51] Int. Cl. D19-02

[52] U.S. Cl. D19/75; D3/30; D3/75; D3/78; D9/223; D9/232; D19/92

[58] Field of Search D19/75, 76, 92; D9/223, D9/232; D6/168; D3/30, 74, 75, 78; D25/74; D27/46; 211/126; 206/557

[56]

References Cited

U.S. PATENT DOCUMENTS

D. 139,099	10/1944	Eubank	D27/46
D. 159,130	6/1950	Auger	D3/75
D. 215,491	9/1969	Pina et al.	D3/35
D. 239,490	4/1976	Pellegrini	D6/168

Primary Examiner—Joel Stearman
Assistant Examiner—George P. Word
Attorney, Agent, or Firm—Davidson C. Miller

[57]

CLAIM

The ornamental design for a storage box with sliding lids, as shown and described.

DESCRIPTION

FIG. 1 is a front perspective view of a storage box with sliding lids showing my new design with the covers open;

FIG. 2 is a rear perspective view thereof with the covers closed; and

FIG. 3 is a perspective view from below with the covers closed.

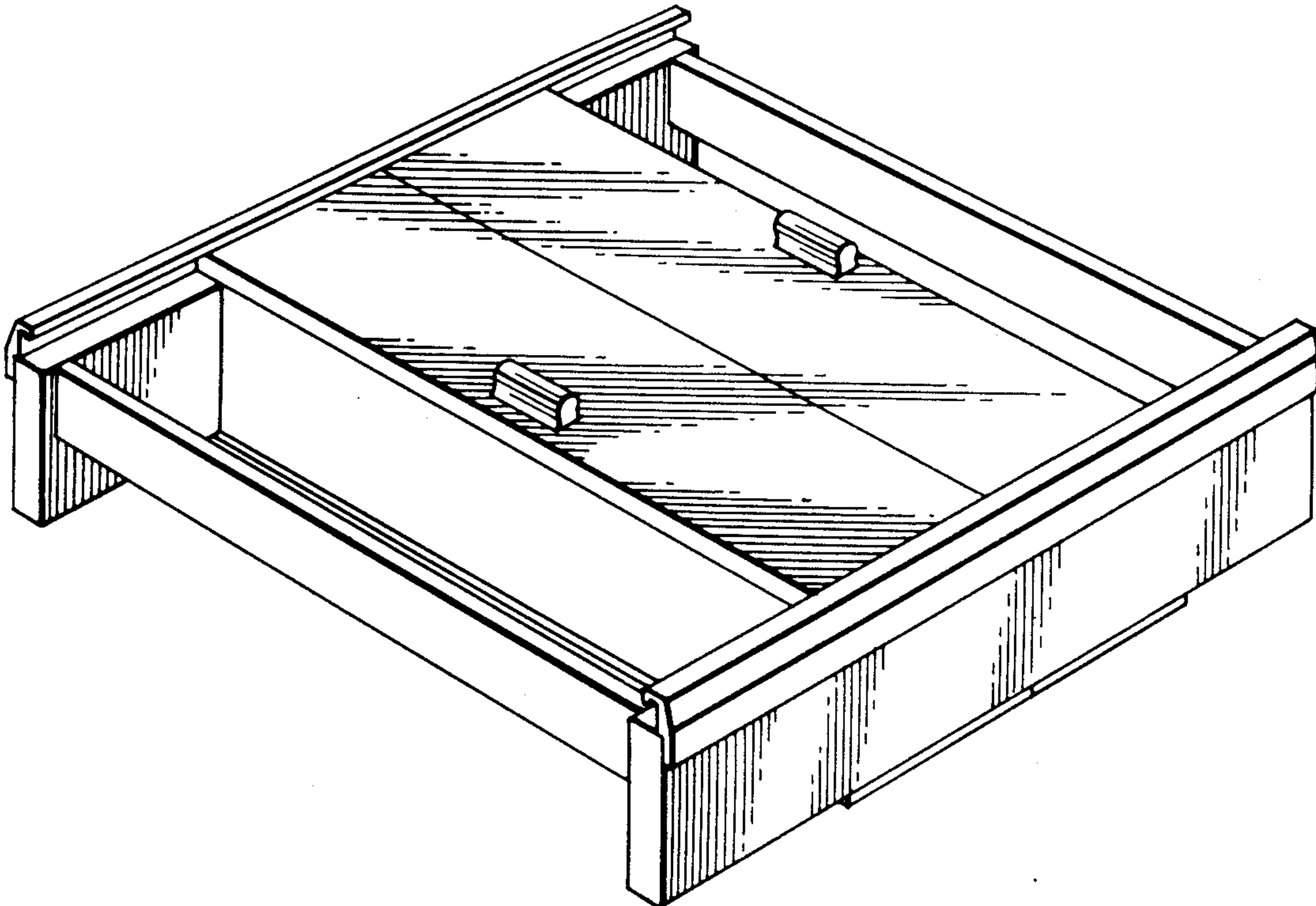


FIG. 1

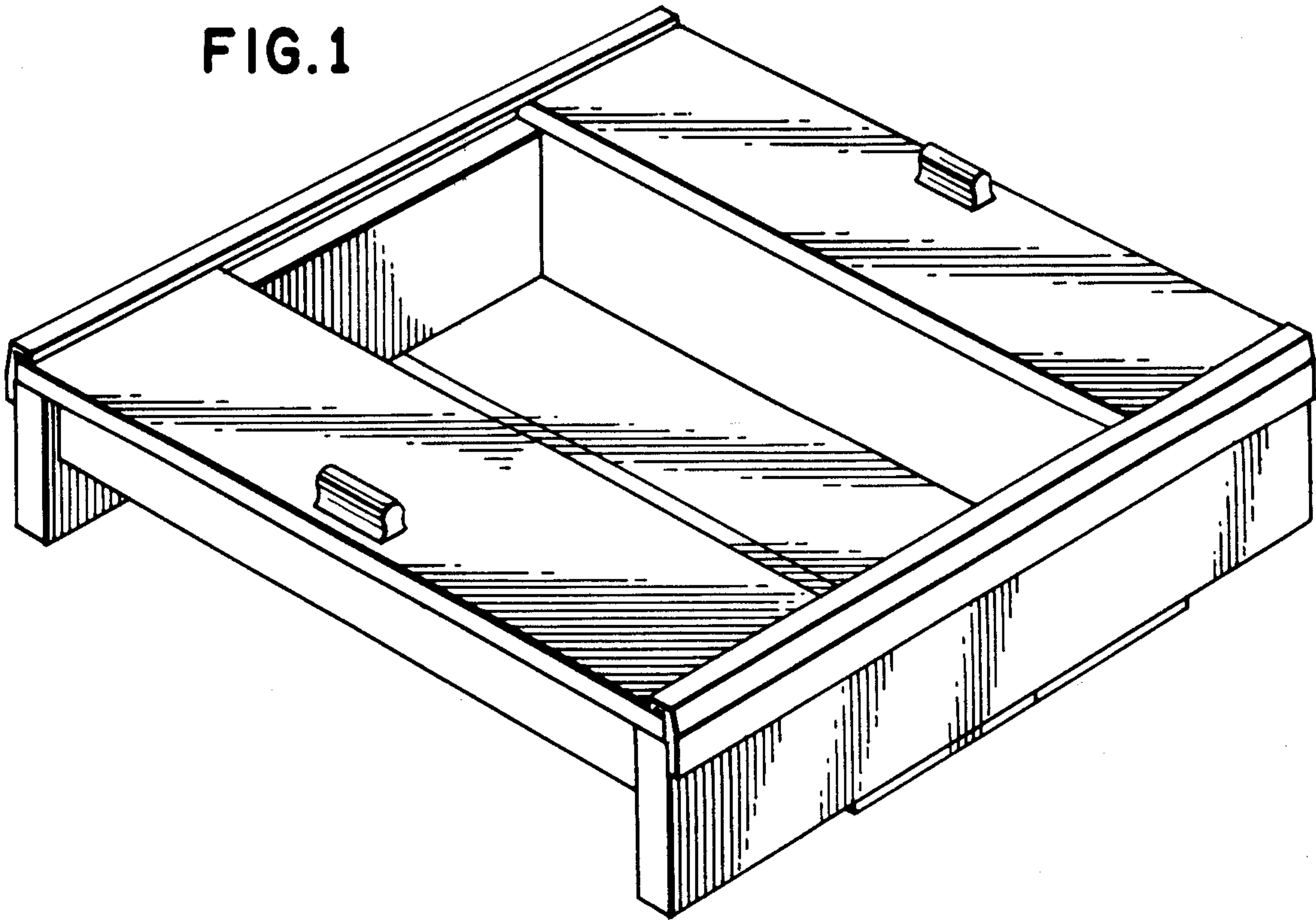


FIG. 2

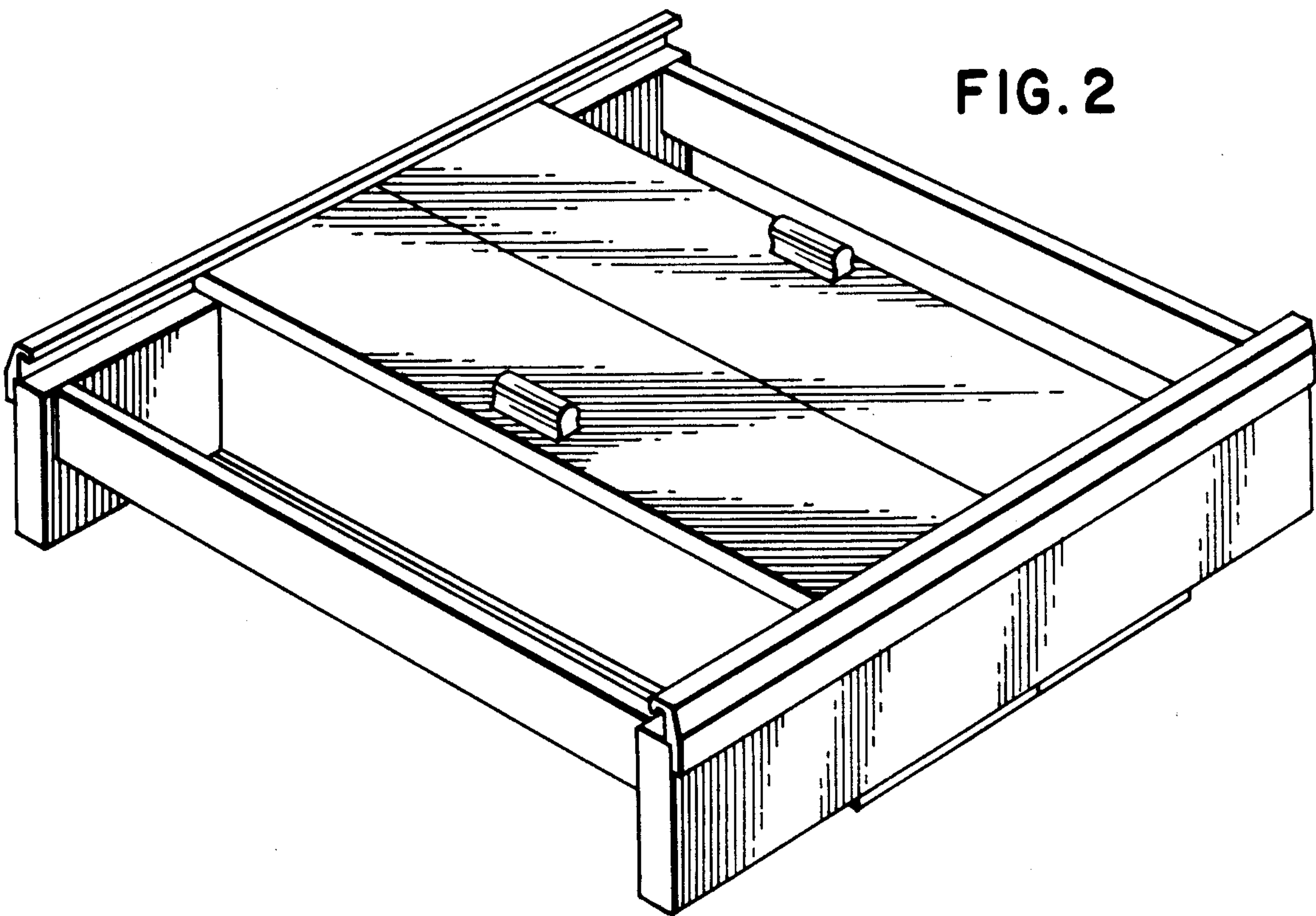


FIG. 3

