

[54] CASE FOR AN ELECTRONIC CALCULATOR

[56]

References Cited

U.S. PATENT DOCUMENTS

[75] Inventors: Eugene J. Sulek; William J. Lawrence, both of Lubbock, Tex.

D. 231,357	4/1974	Meyers et al.	D18/6 X
D. 243,251	2/1977	Hazama et al.	364/708 X
D. 245,109	7/1977	Yoshioka	D18/7
D. 250,063	10/1978	Nishino et al.	D18/7

[73] Assignee: Texas Instruments Incorporated, Dallas, Tex.

Primary Examiner—Louis S. Zarfes
Attorney, Agent, or Firm—Rene' E. Grossman

[**] Term: 14 Years

[57] CLAIM

[21] Appl. No.: 884,344

The ornamental design for a case for an electronic calculator, substantially as shown.

DESCRIPTION

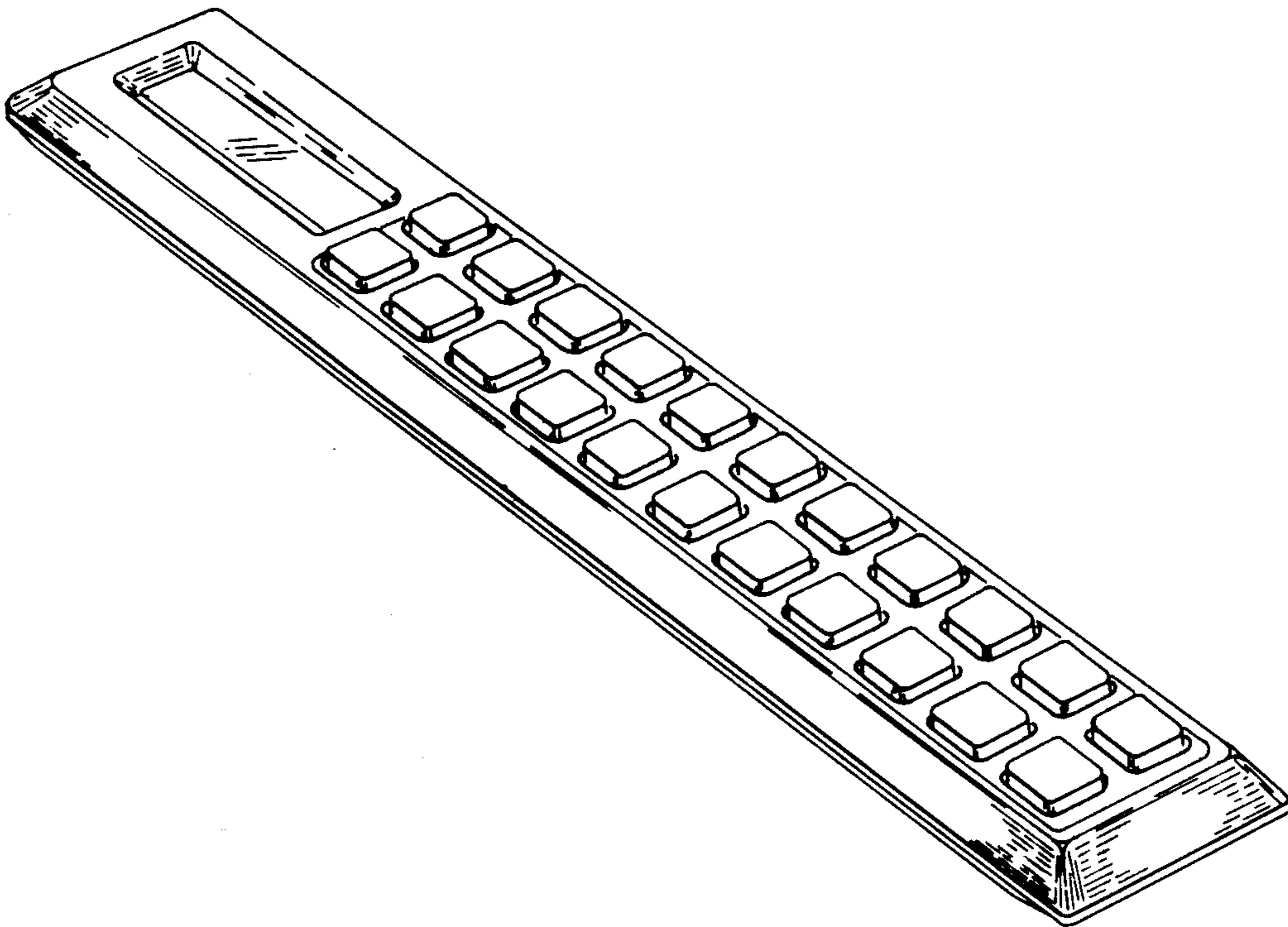
[22] Filed: Mar. 6, 1978

FIG. 1 is a view in perspective of a case for an electronic calculator showing our new design;
FIG. 2 is a top plan view thereof;
FIG. 3 is a rear elevational view thereof;
FIG. 4 is the right side elevational view thereof;
FIG. 5 is the left side elevational view thereof; and
FIG. 6 is an end elevational view thereof.

[51] Int. Cl. D18—01

[52] U.S. Cl. D18/7

[58] Field of Search D18/2, 6-8;
200/5 A; 364/706-710



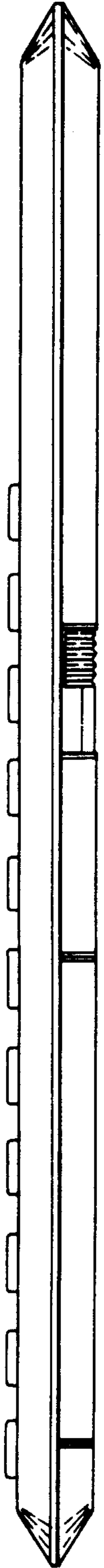


Fig. 5

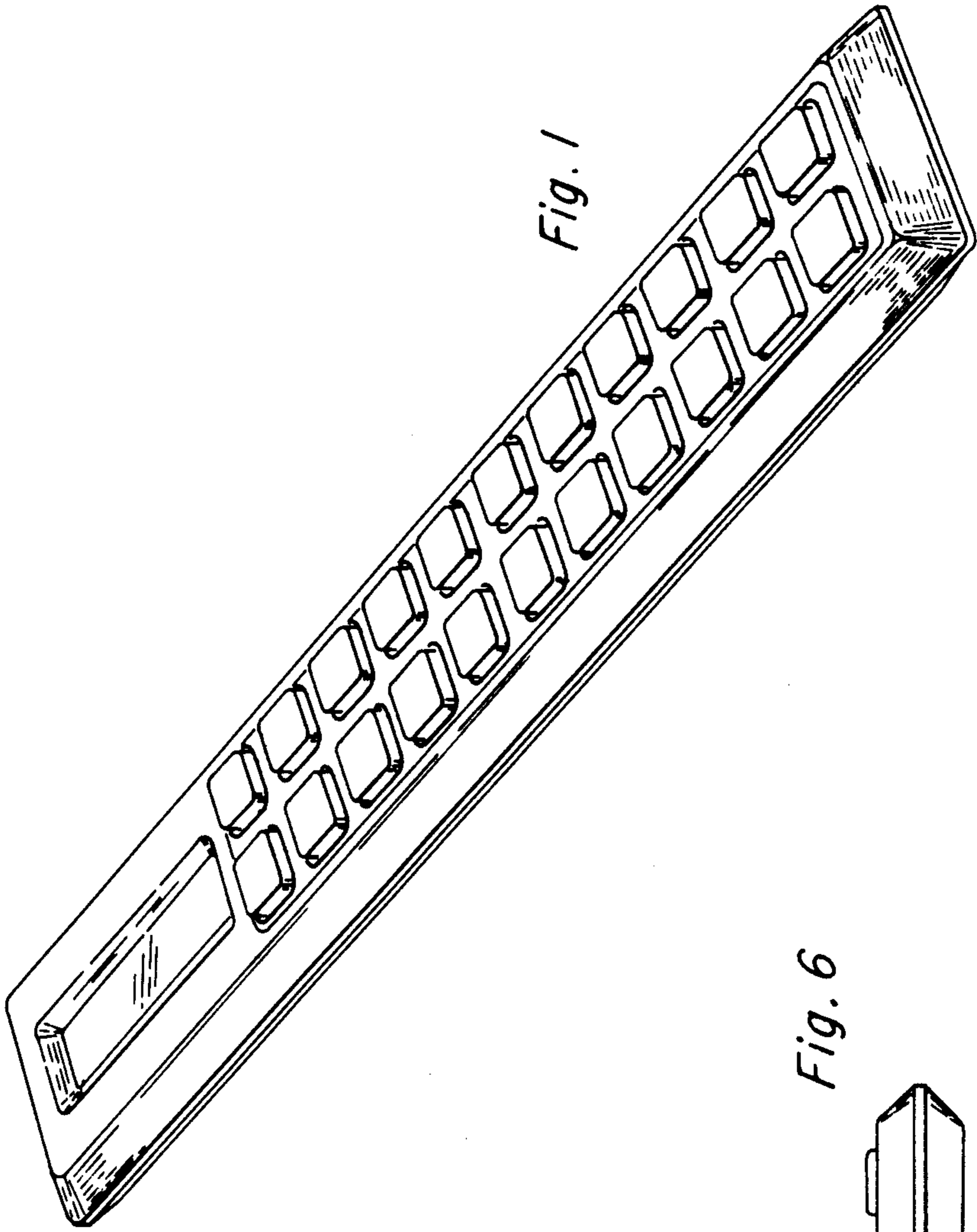


Fig. 1

Fig. 6



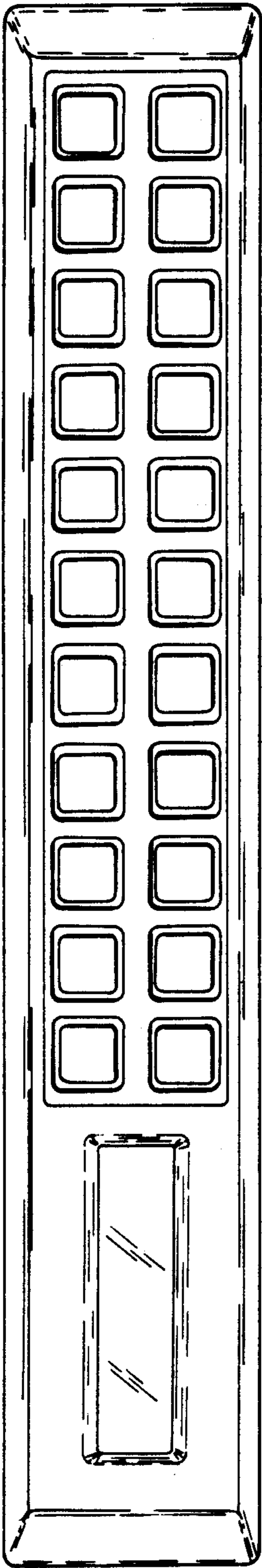


Fig. 2

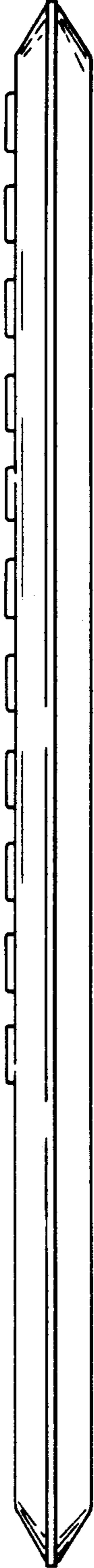


Fig. 4

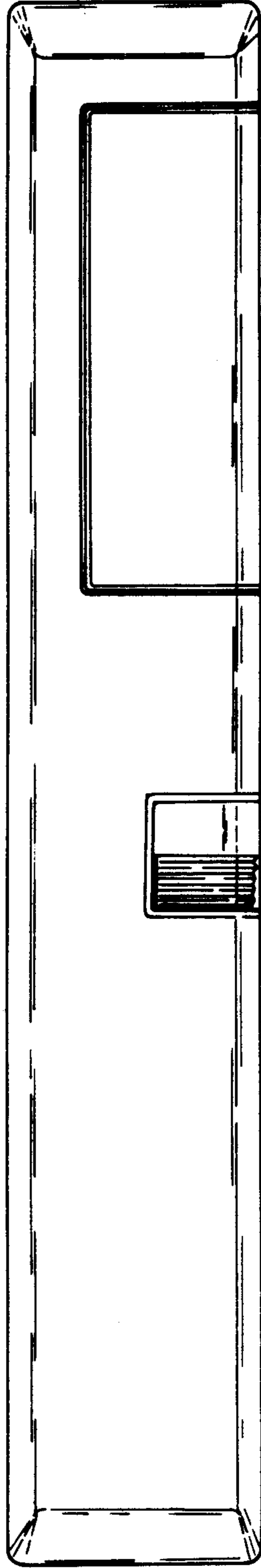


Fig. 3