

- [54] **CORN POPPING APPARATUS**
- [75] Inventors: **Marshall B. Johnson**, Chillicothe;  
**Donald E. Watkins**, Parma; **Robert A. Williams**, Chillicothe, all of Ohio
- [73] Assignee: **Wear-Ever Aluminum, Inc.**
- [\*\*] Term: **14 Years**
- [21] Appl. No.: **871,165**
- [22] Filed: **Jan. 20, 1978**
- [51] Int. Cl. .... **D15-05**
- [52] U.S. Cl. .... **D15/105**
- [58] Field of Search ..... **D15/105, 101; D9/8;**  
**D7/59, 94; 99/323.5, 323.6, 323.7, 323.8, 323.9,**  
**323.10, 323.11**

4,120,236 10/1978 Blomberg ..... 99/323.9  
4,152,974 5/1979 Tienor ..... 99/323.8

**OTHER PUBLICATIONS**

Good Housekeeping, Oct. 1973, p. 161, West Bend Butter-Matic Corn Popper.

*Primary Examiner*—Catherine E. Kemper  
*Attorney, Agent, or Firm*—Patrick J. Viccaro

[57] **CLAIM**

The ornamental design for a corn popping apparatus, substantially as shown and described.

**DESCRIPTION**

FIG. 1 is a perspective view of a corn popping apparatus showing our new design.

FIG. 2 is a front elevational view with the top lid shown in the closed position.

FIG. 3 is a left side elevational view thereof.

FIG. 4 is a right side elevational view thereof.

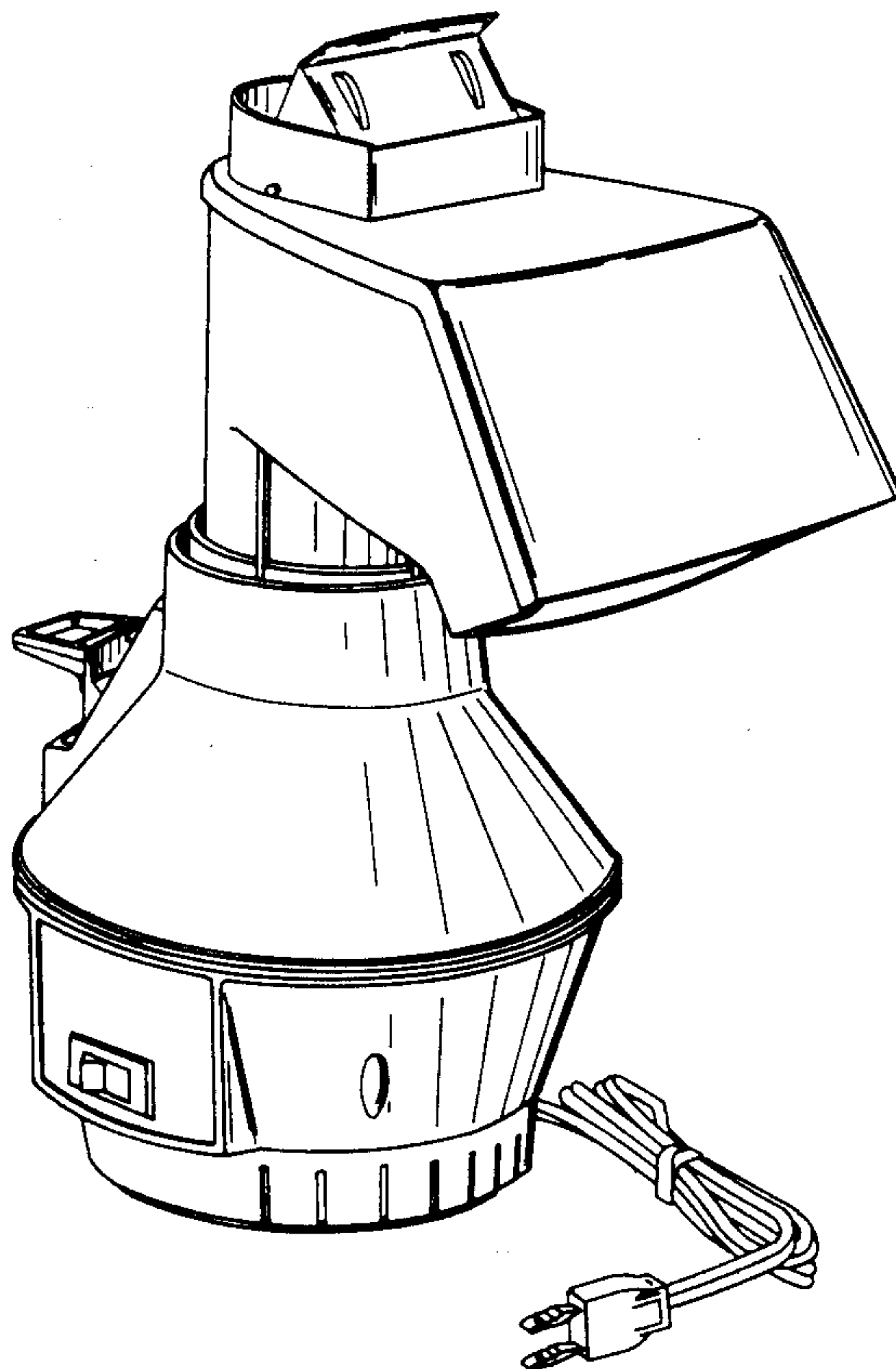
FIG. 5 is a top plan view thereof.

The bottom surface of the corn popping apparatus is substantially planar and unornamented.

[56] **References Cited**

**U.S. PATENT DOCUMENTS**

- D. 206,674 1/1967 Hughes et al. .... D7/94  
3,570,388 3/1971 Gottlieb ..... 99/323.5  
4,072,091 2/1978 Richardson ..... 99/323.5



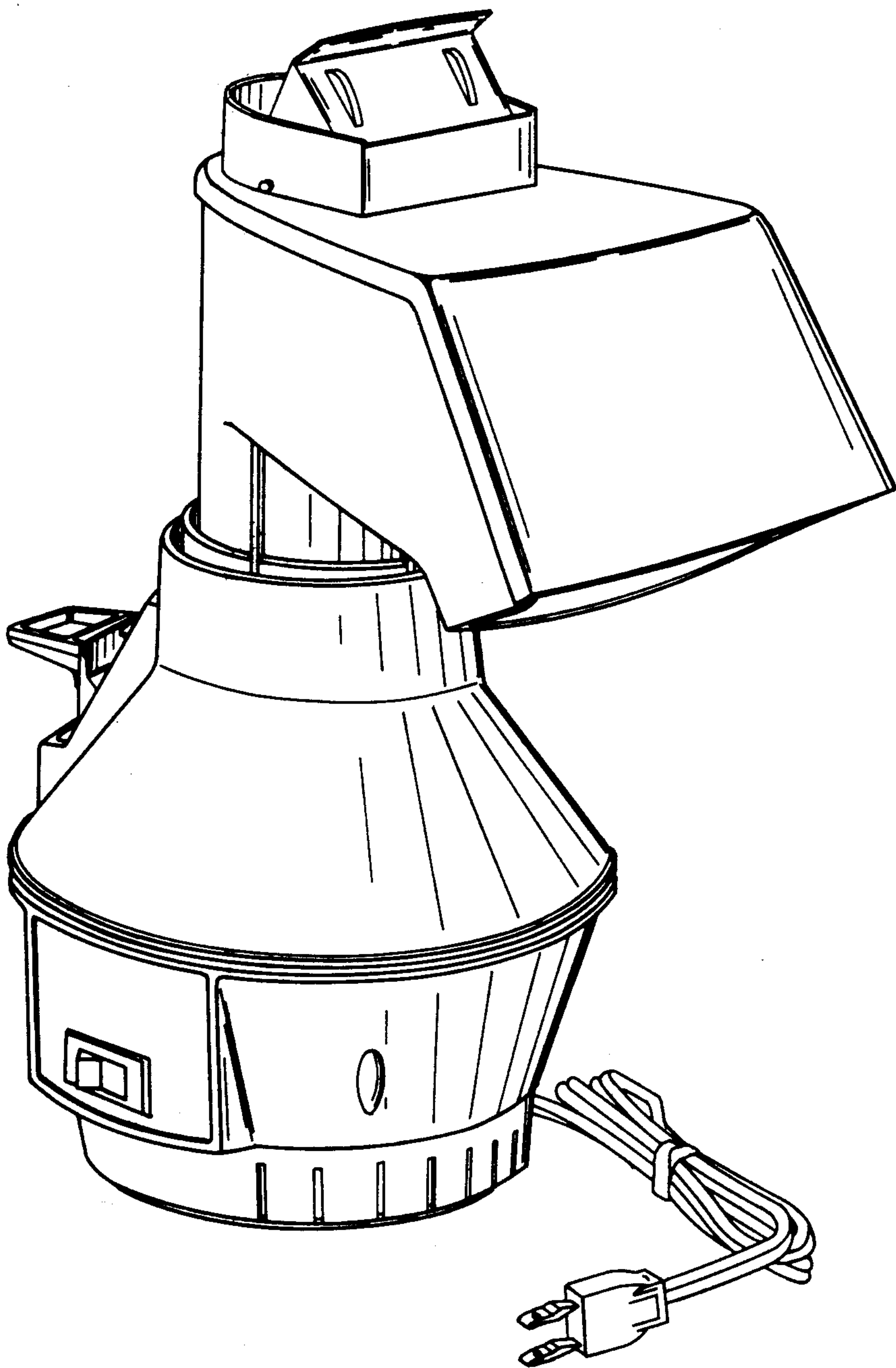


FIG. 1

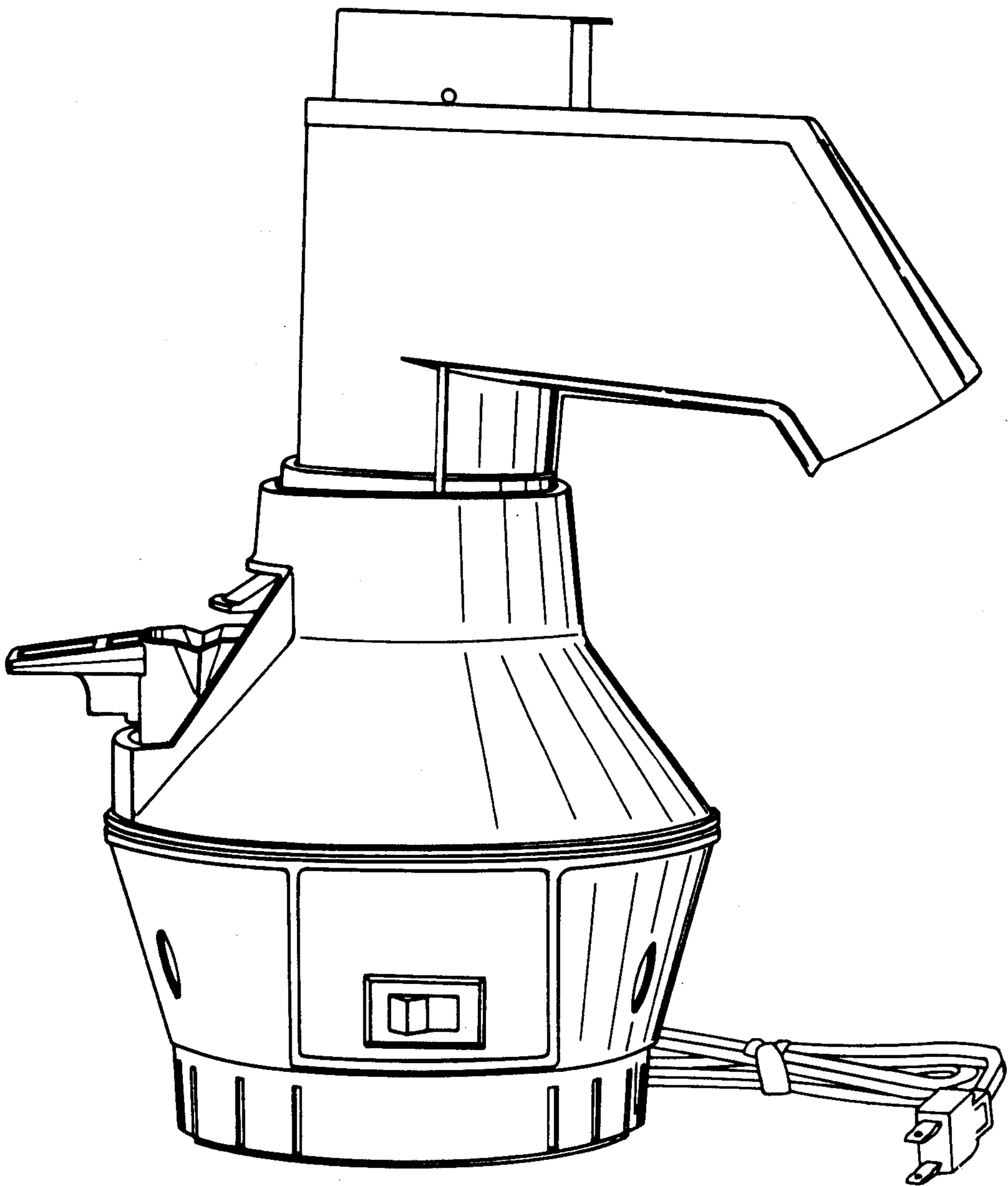


FIG. 2

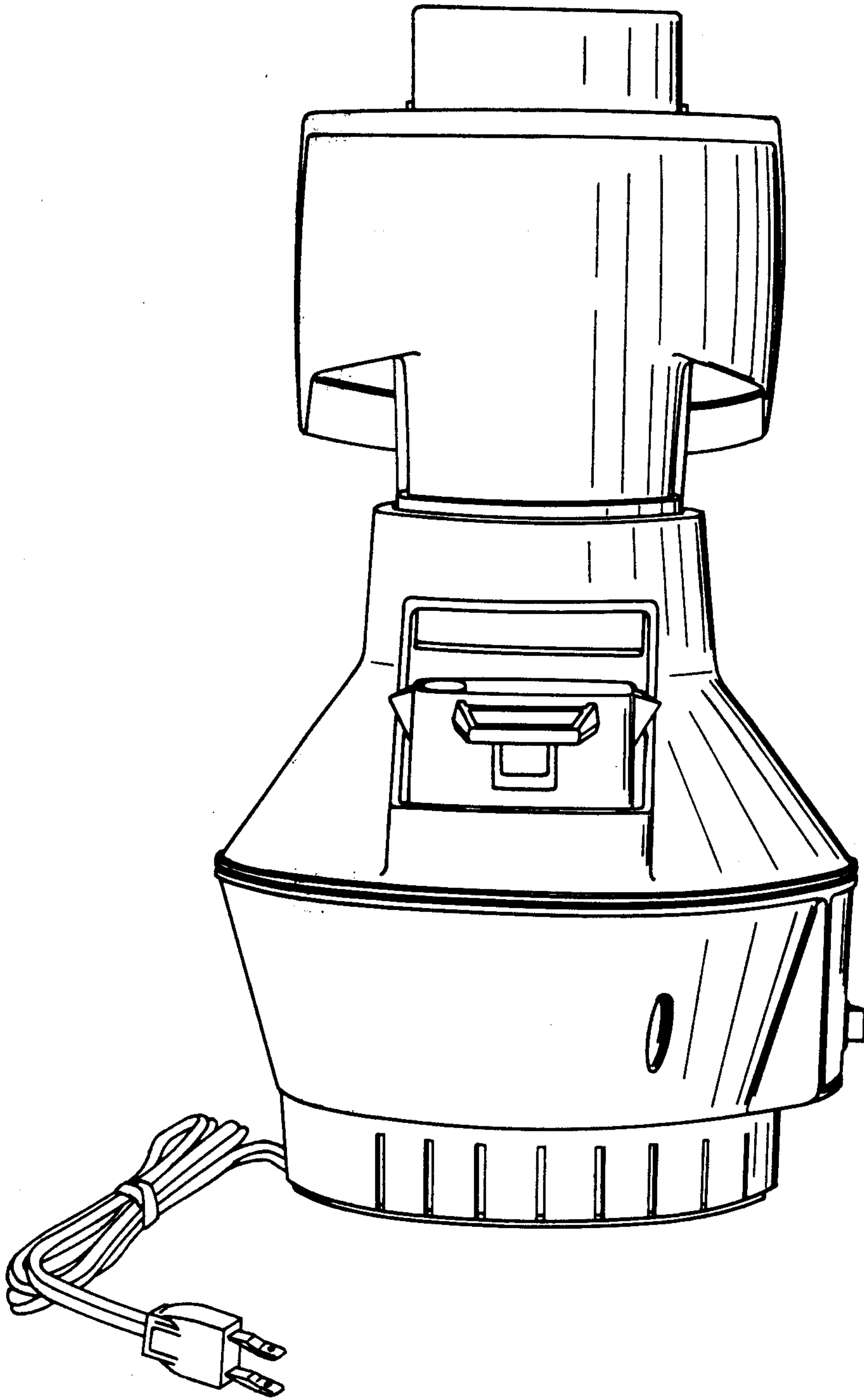


FIG. 3

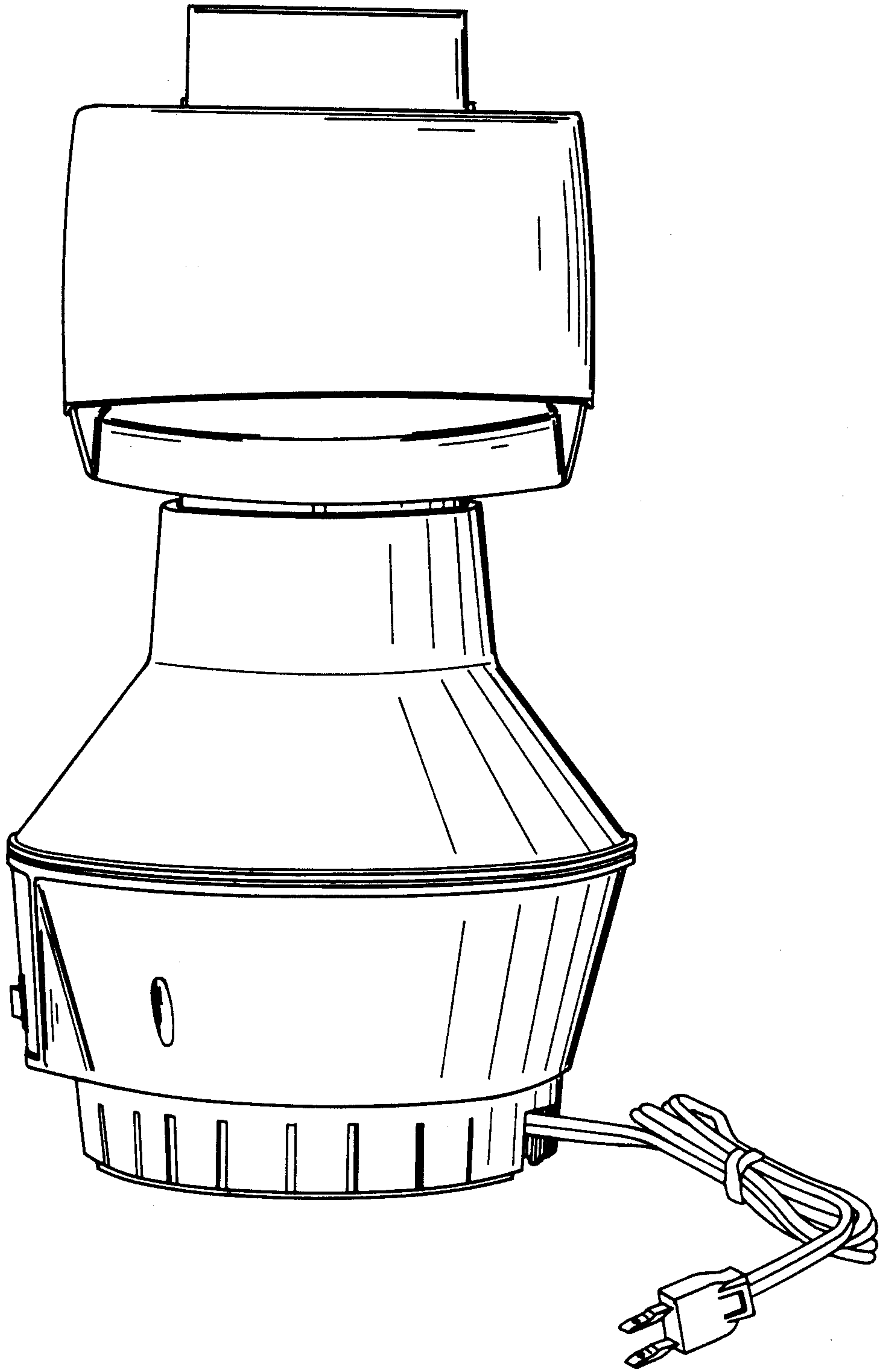


FIG. 4



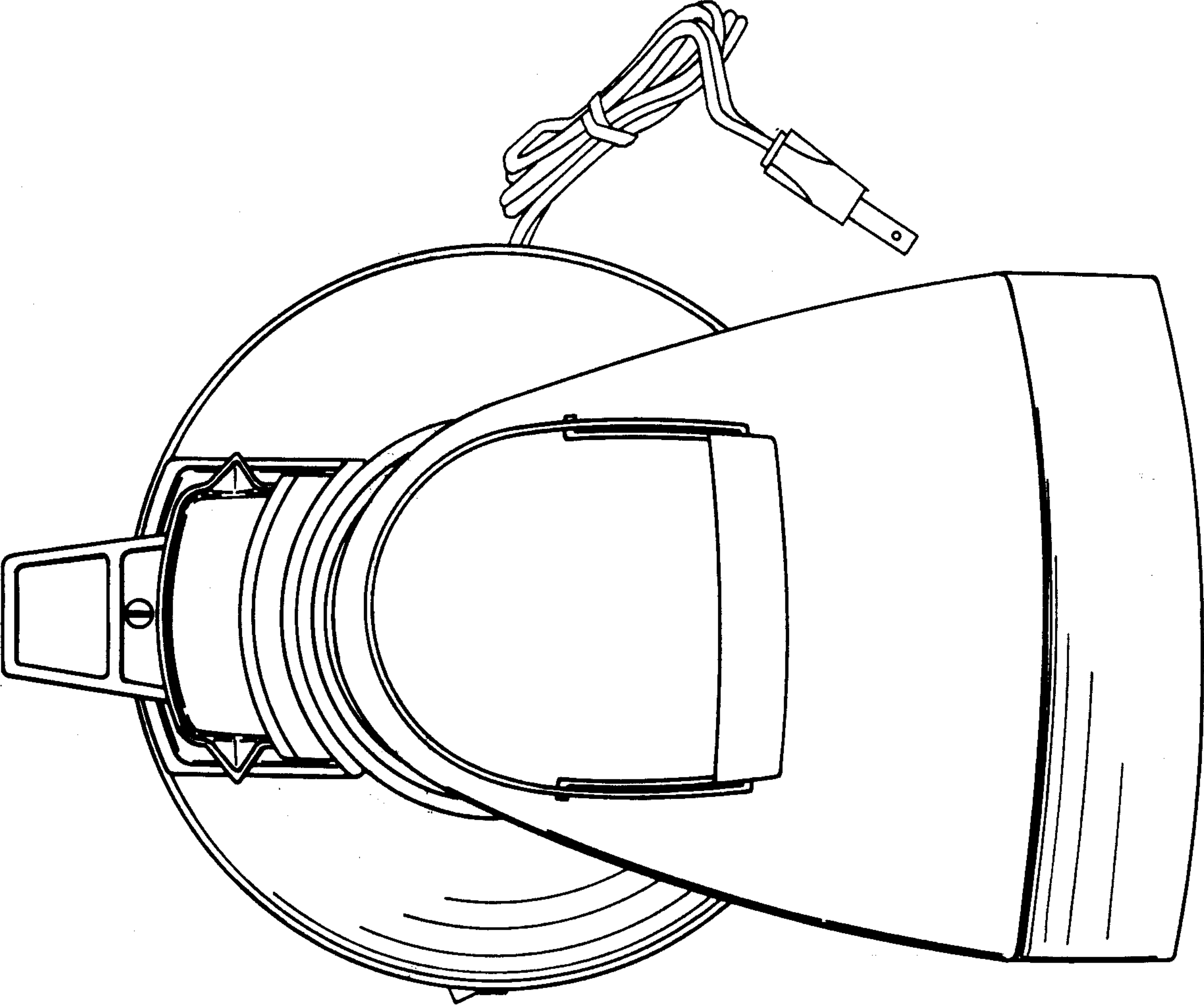


FIG. 5