

[54] ROAD PLANING MACHINE

[75] Inventors: Donald W. Smith, Edmond; Larry W. Teel, Yukon, both of Okla.

[73] Assignee: CMI Corporation, Oklahoma City, Okla.

[**] Term: 14 Years

[21] Appl. No.: 938,414

[22] Filed: Aug. 31, 1978

[51] Int. Cl. D15-04

[52] U.S. Cl. D15/22; D15/25

[58] Field of Search D12/22, 25; 404/83, 404/84, 90, 91; 37/108 R

[56] References Cited

U.S. PATENT DOCUMENTS

D. 220,172 3/1971 Swisher, Jr. et al. D15/25

Primary Examiner—James M. Gandy
Attorney, Agent, or Firm—Bill D. McCarthy

[57] CLAIM

The ornamental design for a road planing machine, as shown.

DESCRIPTION

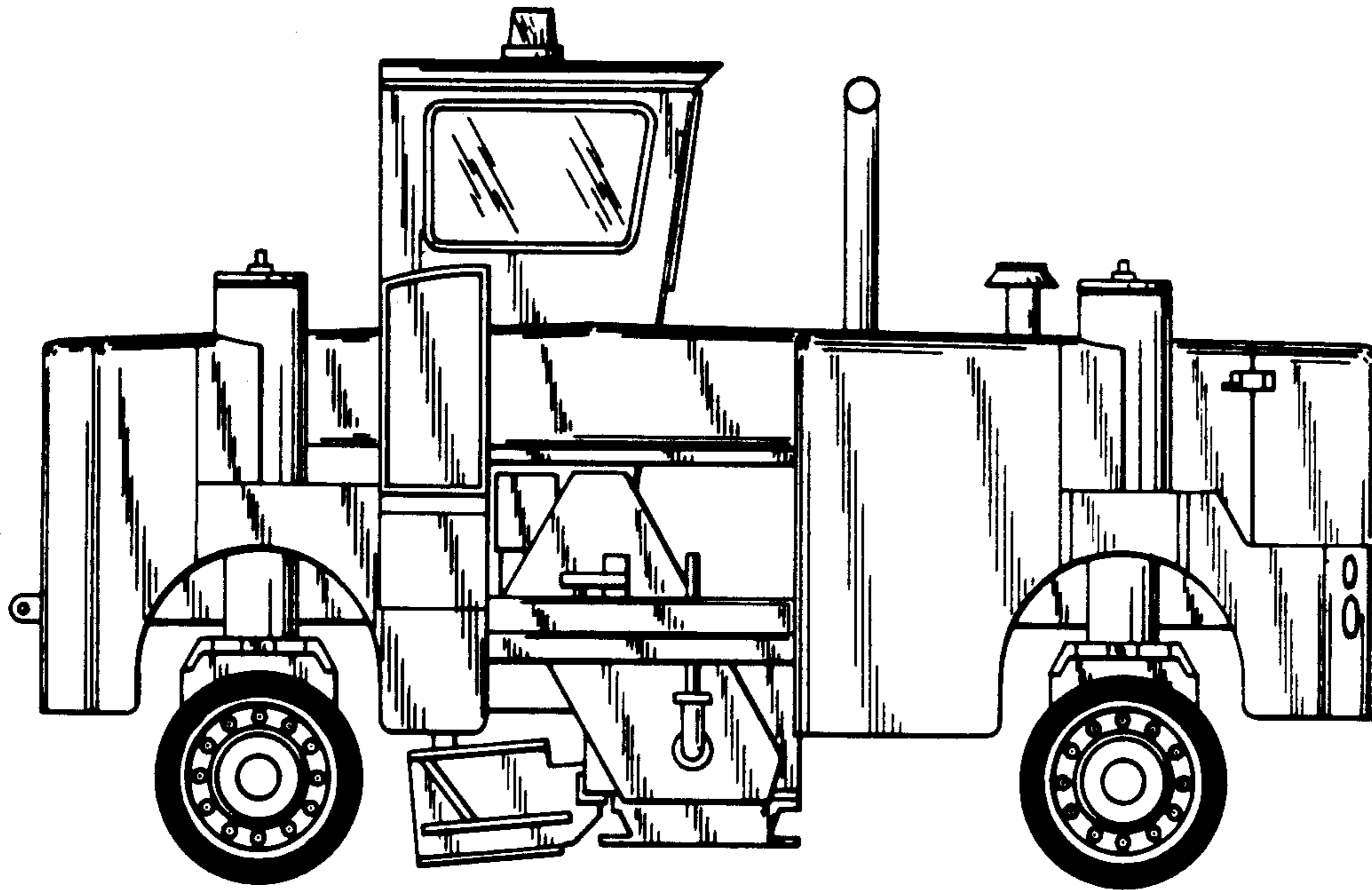
FIG. 1 is an elevational view of one side of the road planing machine of the present design.

FIG. 2 is a top plan view thereof.

FIG. 3 is an elevational view of the other side thereof.

FIG. 4 is front elevational view thereof.

FIG. 5 is a rear elevational view thereof.



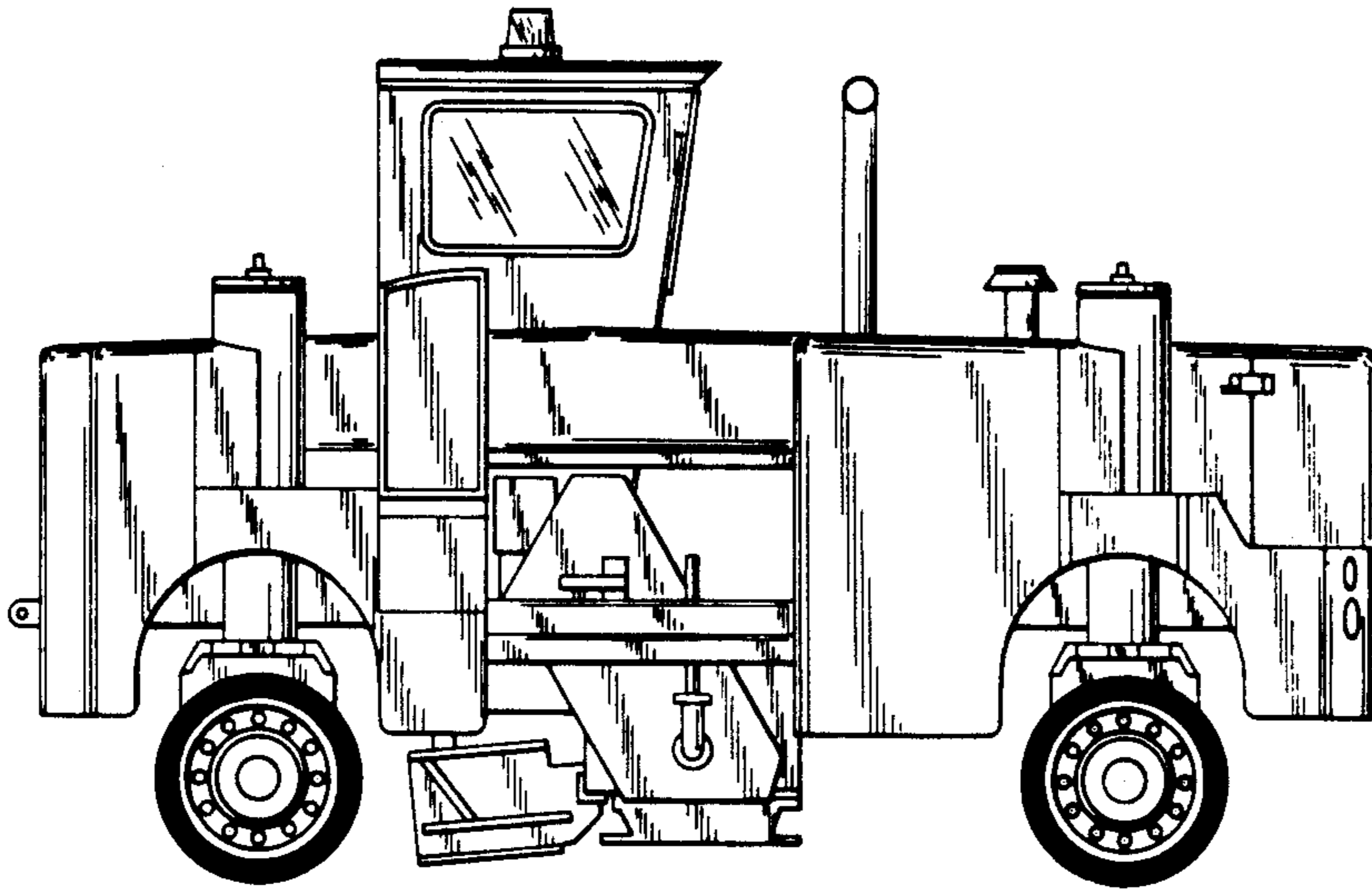


FIG. 1

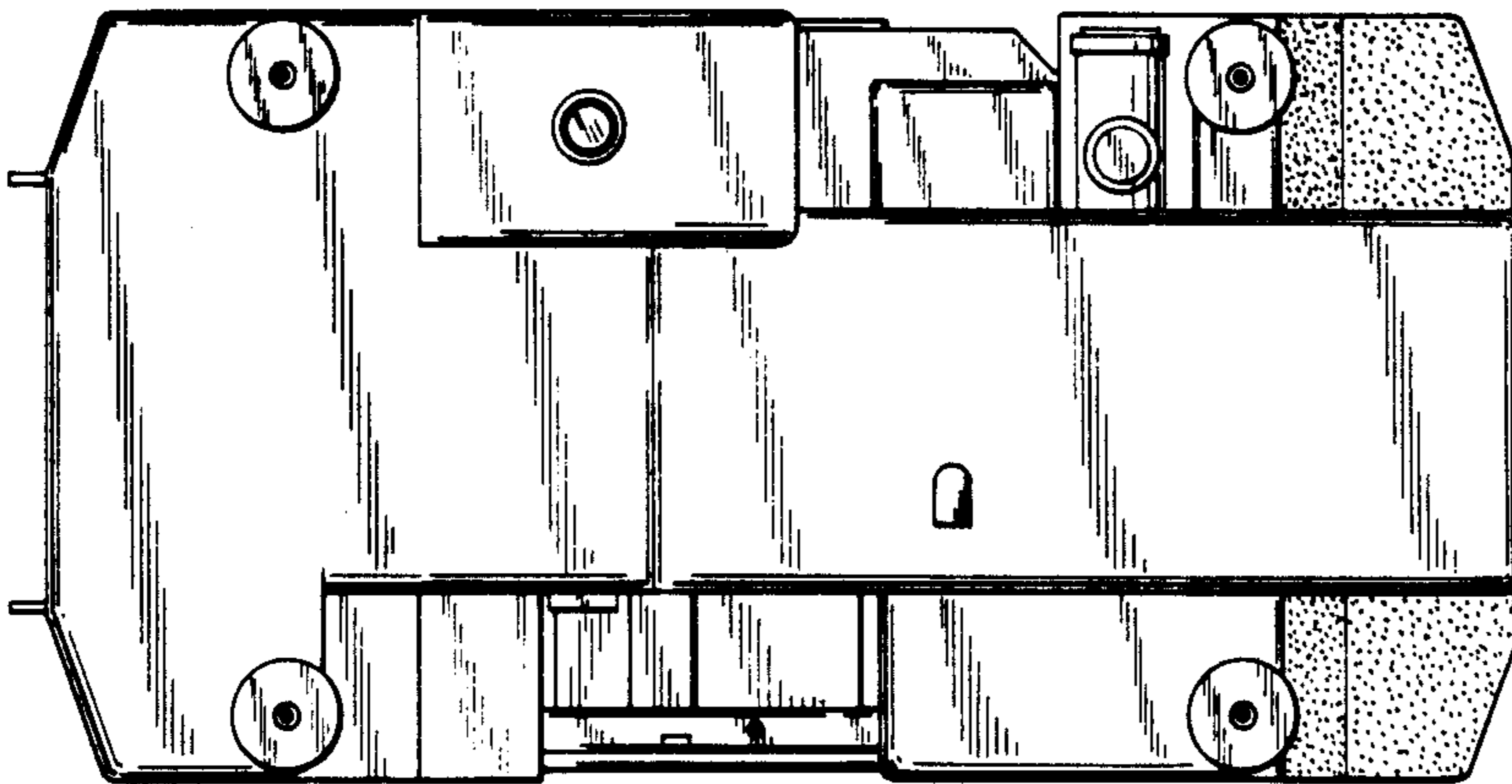


FIG. 2

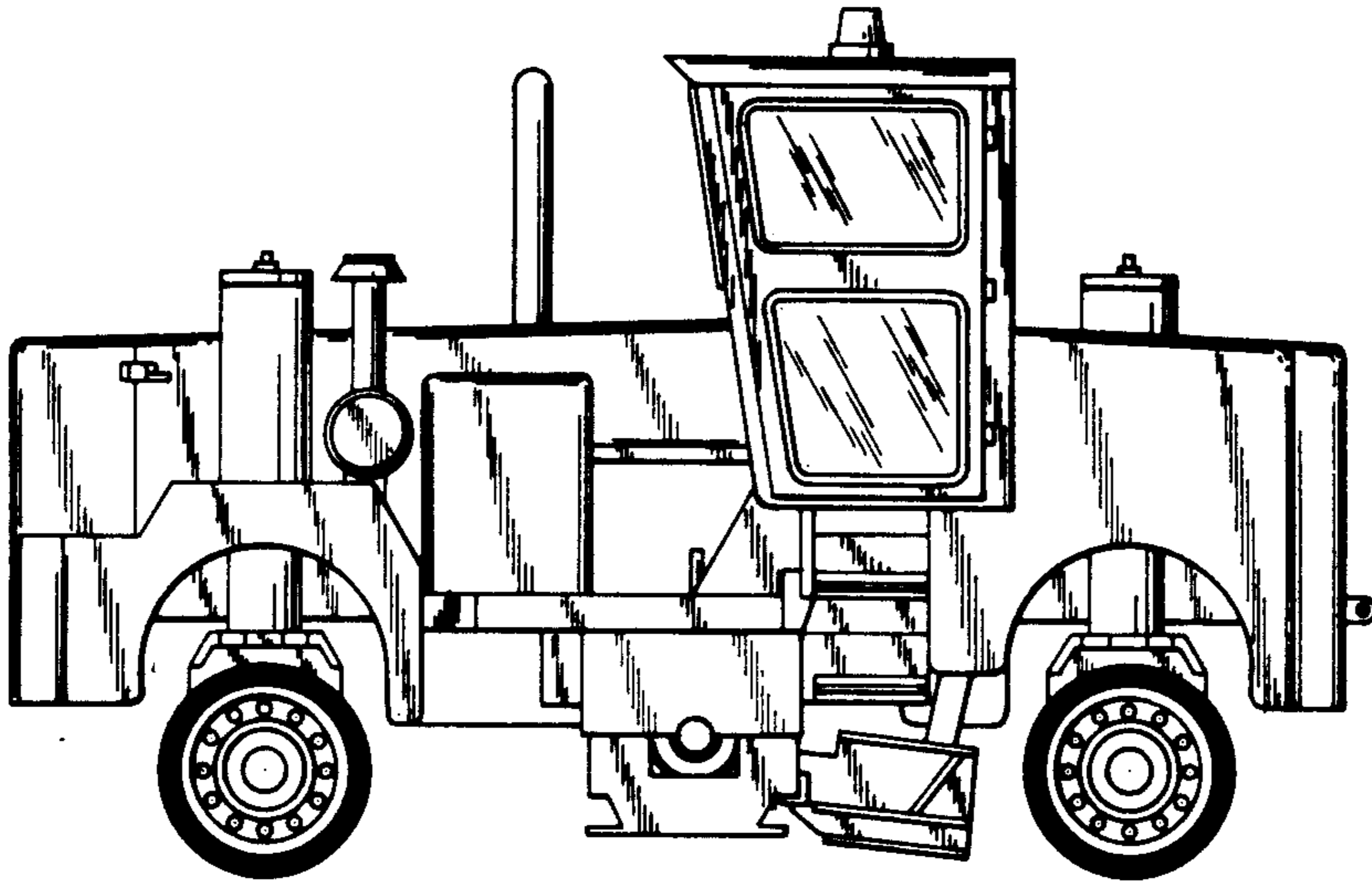


FIG. 2

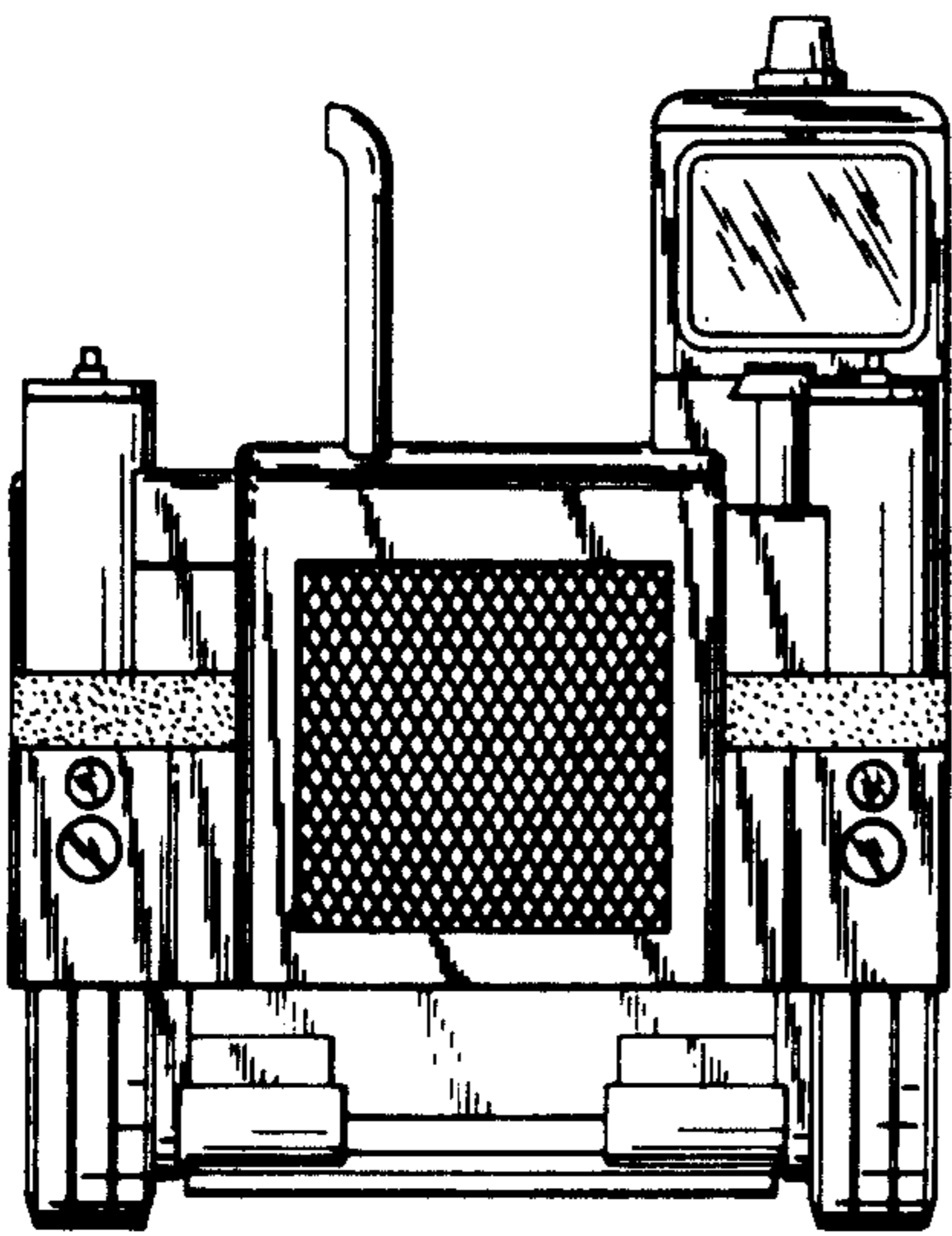


FIG. 4

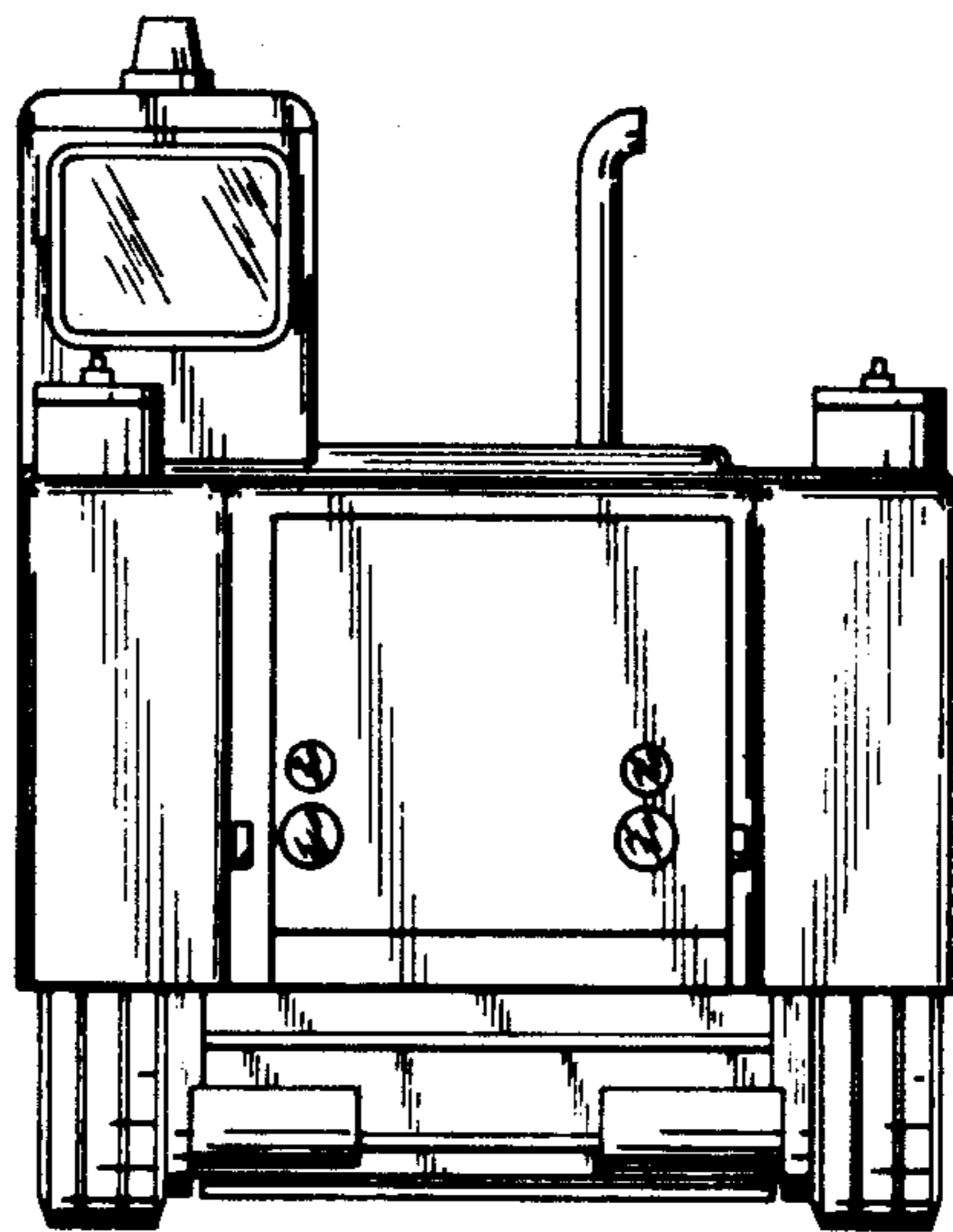


FIG. 3