

[54] RECORD TURNTABLE

[75] Inventor: Raymond Vachus, Yzeure, France

[73] Assignee: Thomson-Brandt, Paris, France

[**] Term: 14 Years

[21] Appl. No.: 871,579

[22] Filed: Jan. 23, 1978

[30] Foreign Application Priority Data

Jul. 22, 1977 [FR] France 77 75867

[51] Int. Cl. D14-01

[52] U.S. Cl. D14/25; D14/14;
D14/17

[58] Field of Search D14/1, 14, 16, 17, 20-23,
D14/25, 27, 28

[56] References Cited

U.S. PATENT DOCUMENTS

D. 231,798 6/1974 Takahashi D14/17

OTHER PUBLICATIONS

Stereo Review, 1-77, p. 50, Dual CS721 Turntable.

Stereo Review, 1-77, p. 51, Dual 124-9 Turntable.

Primary Examiner—Joel Stearman

Assistant Examiner—Jane E. Corrigan

Attorney, Agent, or Firm—Edwin E. Greigg

[57] CLAIM

The ornamental design for a record turntable, as shown.

DESCRIPTION

FIG. 1 is a front, top and right side perspective view of a record turntable showing my new design;

FIG. 2 is a top plan view;

FIG. 3 is a front elevational view;

FIG. 4 is a rear elevational view; and

FIG. 5 is a right side elevational view.

The textures indicated in FIGS. 1 and 2 by stippling and parallel lines are continuous within the respective concentric sections of the platform wherein they appear.

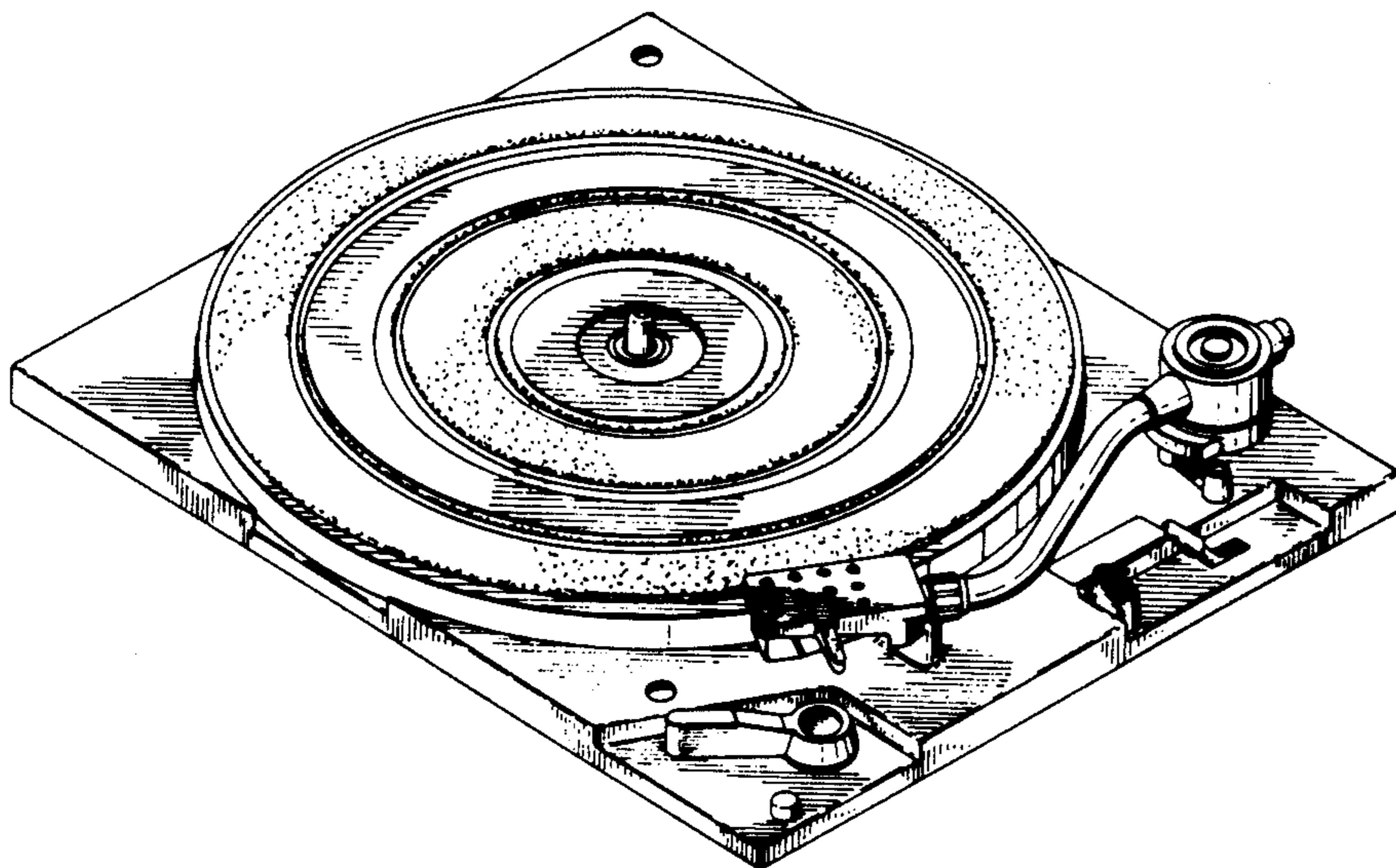


FIG. 1

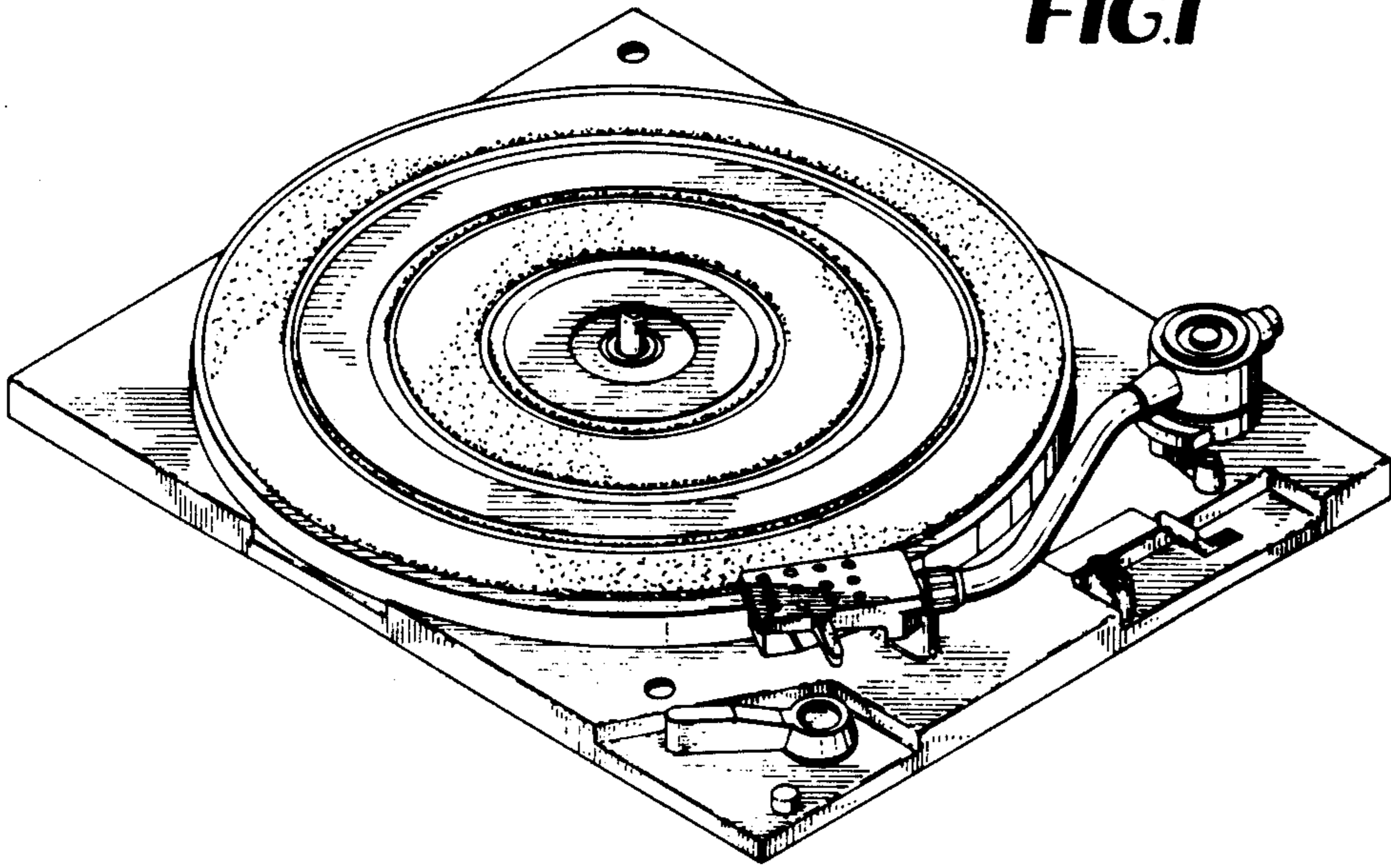


FIG. 2

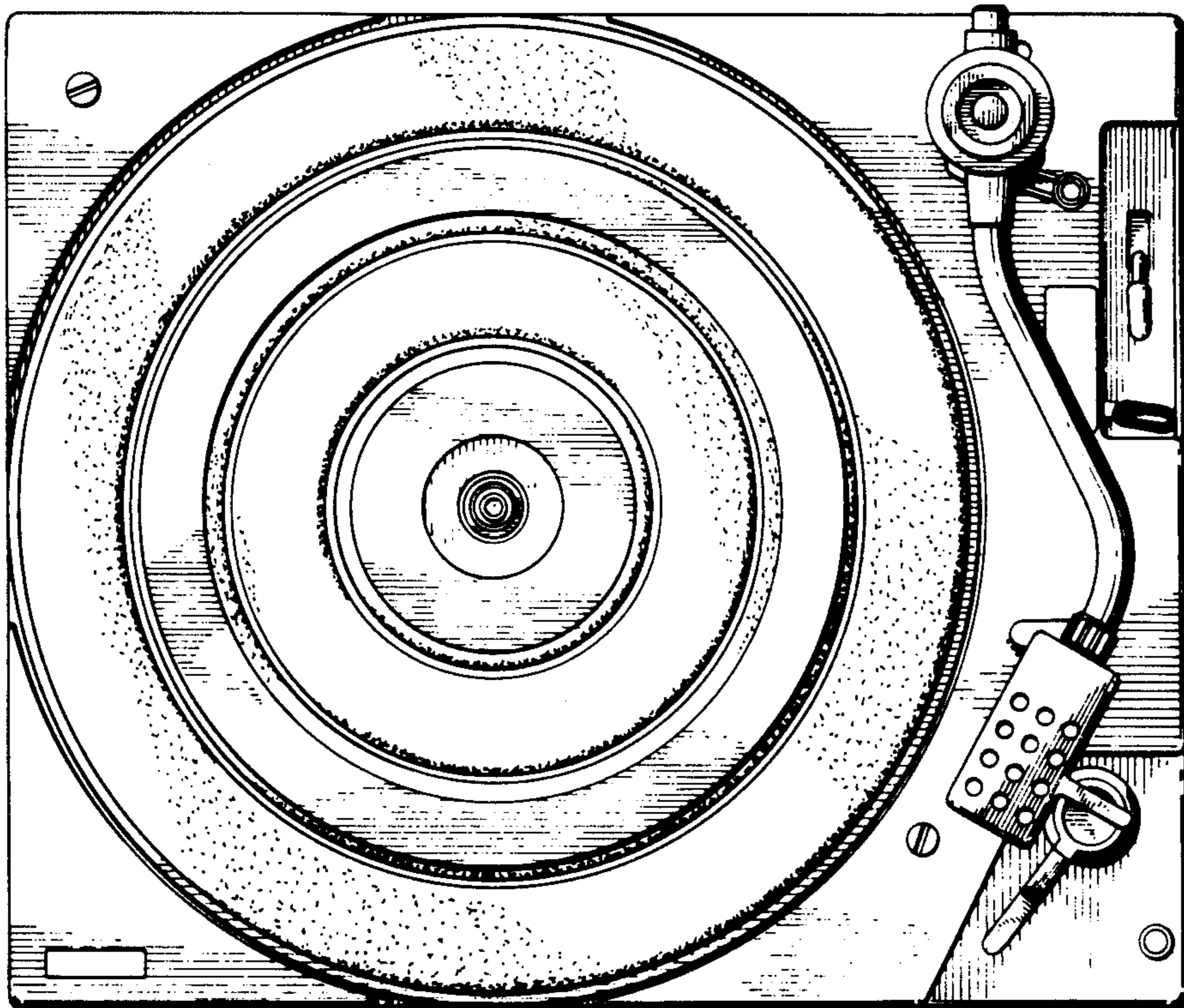


FIG.3

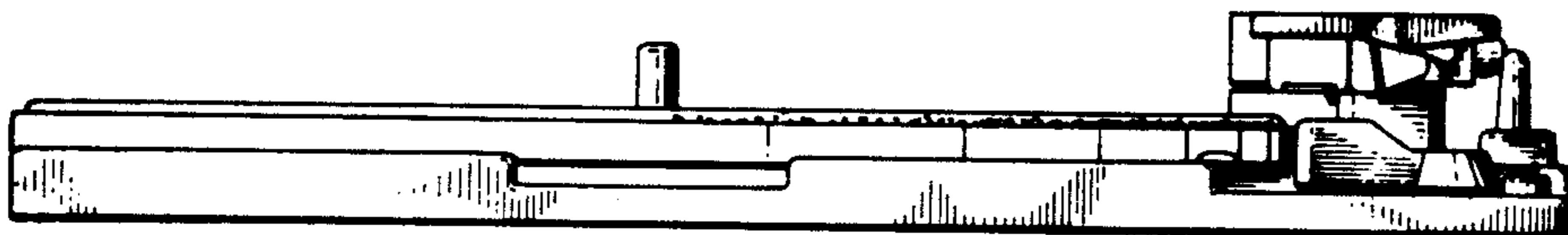


FIG.4

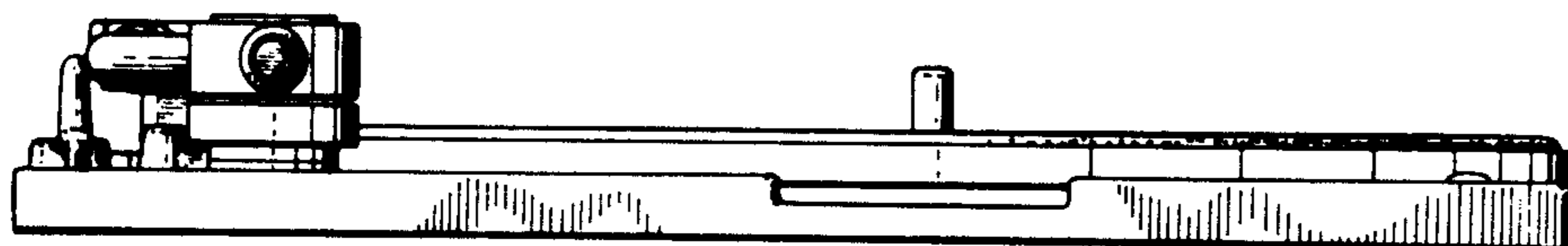


FIG.5

