

- [54] **PONTOON FOR AN AQUATIC VEHICLE AND THE LIKE**
- [75] **Inventor:** Lonnie W. Upchurch, Irving, Tex.
- [73] **Assignee:** Advanced Marine Concepts, Inc., Arlington, Tex.
- [**] **Term:** 14 Years
- [21] **Appl. No.:** 894,625
- [22] **Filed:** Apr. 7, 1978
- [51] **Int. Cl.** D12-06
- [52] **U.S. Cl.** D12/70; D12/62
- [58] **Field of Search** D12/70, 62; 114/283, 114/292

- D. 226,634 4/1973 Swenson, Sr. et al. D12/70
- 3,063,398 11/1962 Yohe 114/292
- 3,115,860 12/1963 Payne 114/292

Primary Examiner—Alan P. Douglas
Attorney, Agent, or Firm—Charles W. McHugh

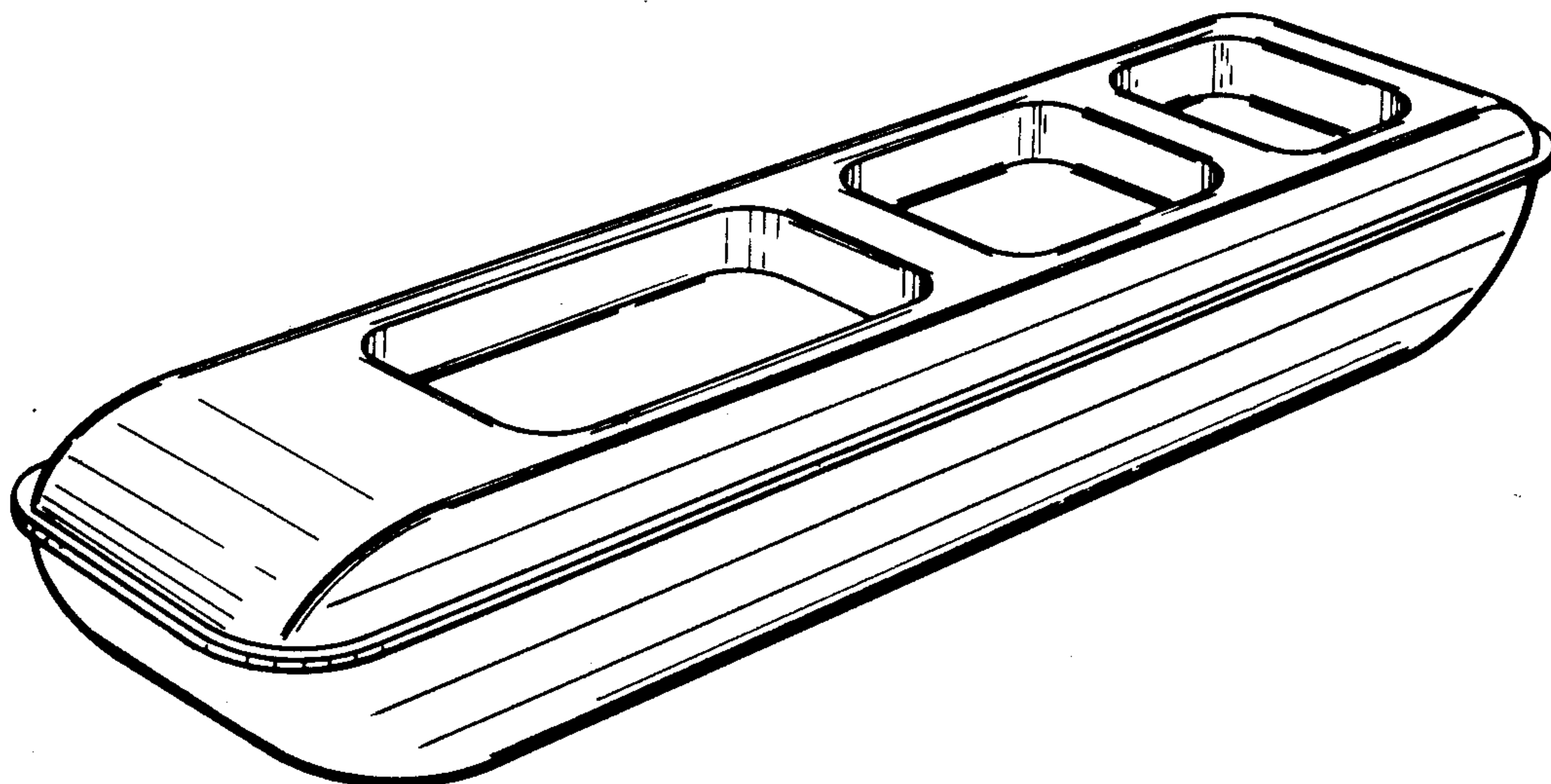
[57] **CLAIM**

The ornamental design for a pontoon for an aquatic vehicle and the like, as shown and described.

DESCRIPTION

FIG. 1 is a perspective view of my new and ornamental design for a pontoon for an aquatic vehicle and the like; FIG. 2 is a top plan view thereof; FIG. 3 is a side elevational view, with both the right and left side views being identical; FIG. 4 is an elevational view of an end of the pontoon, with both the front and rear end views being identical; and FIG. 5 is a bottom plan view thereof.

- [56] **References Cited**
- U.S. PATENT DOCUMENTS**
- D. 223,062 3/1972 Winter D12/70



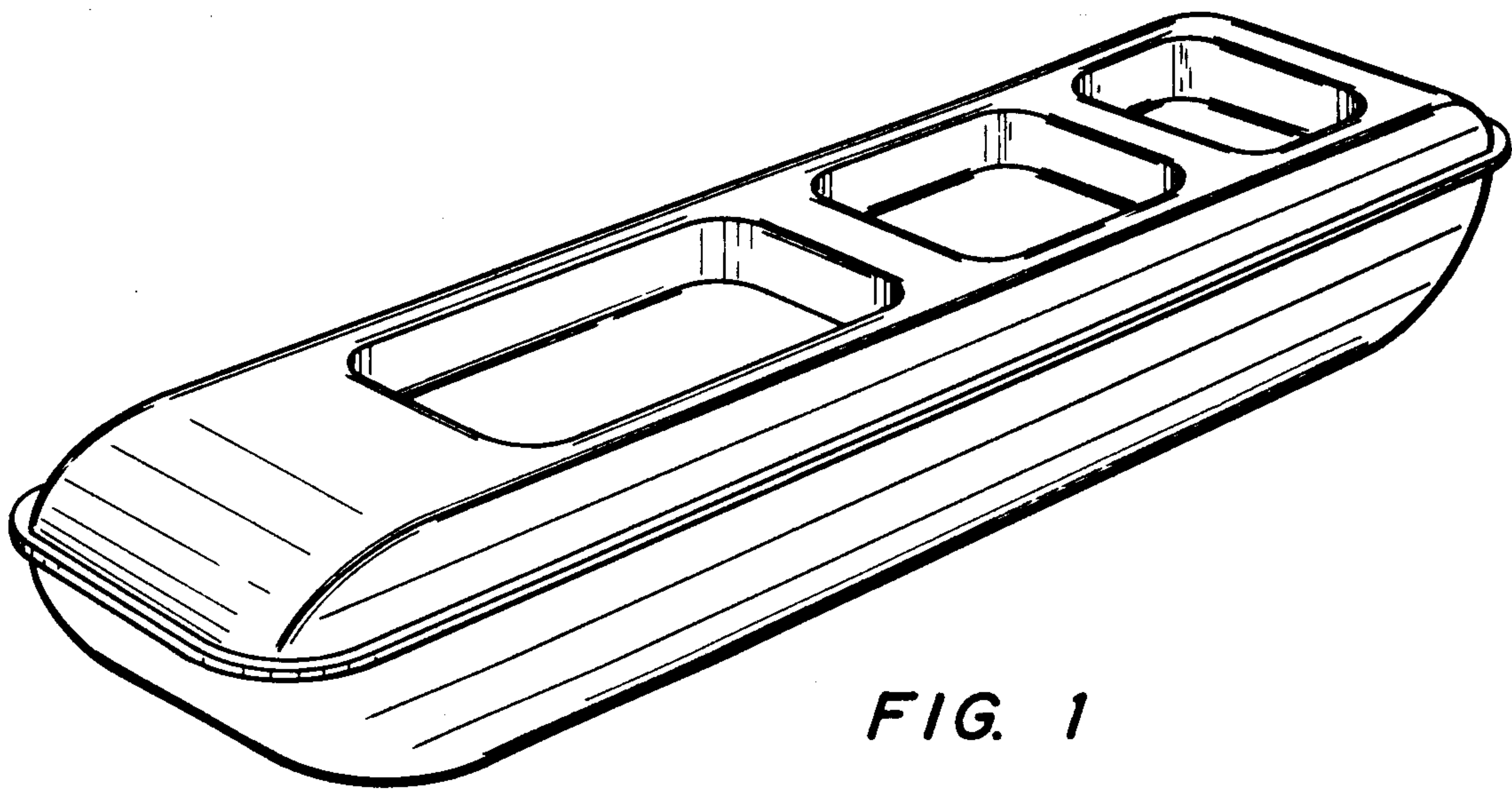


FIG. 1

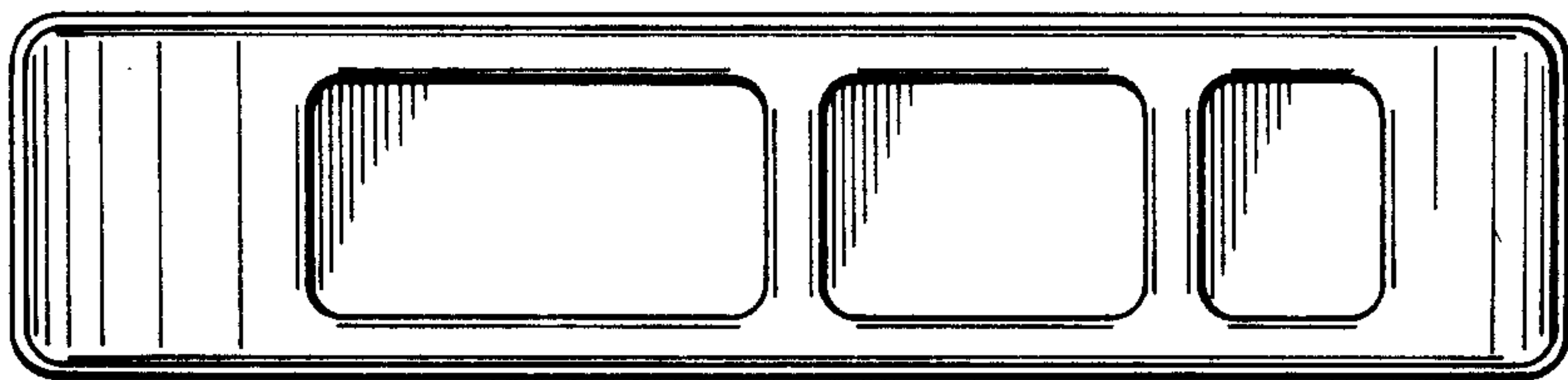


FIG. 2

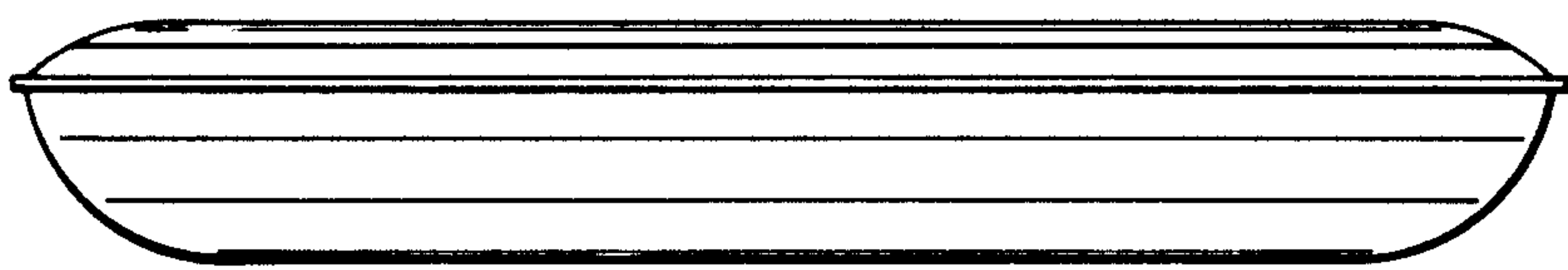


FIG. 3

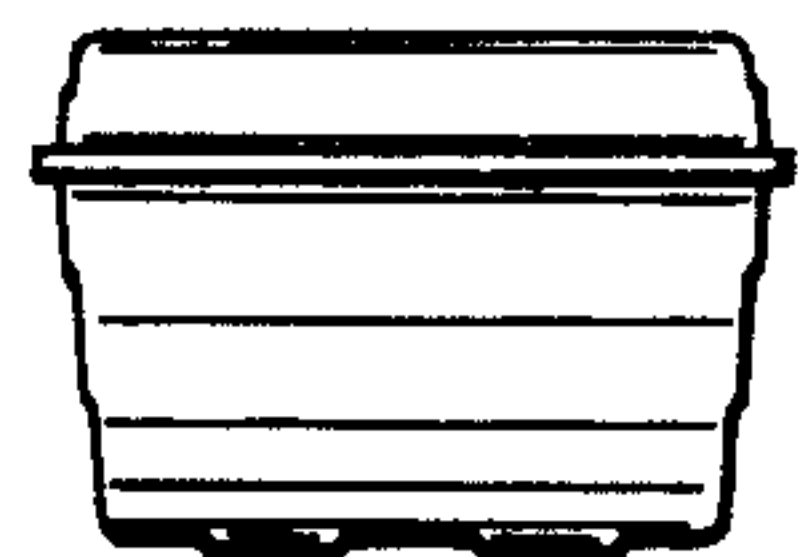


FIG. 4

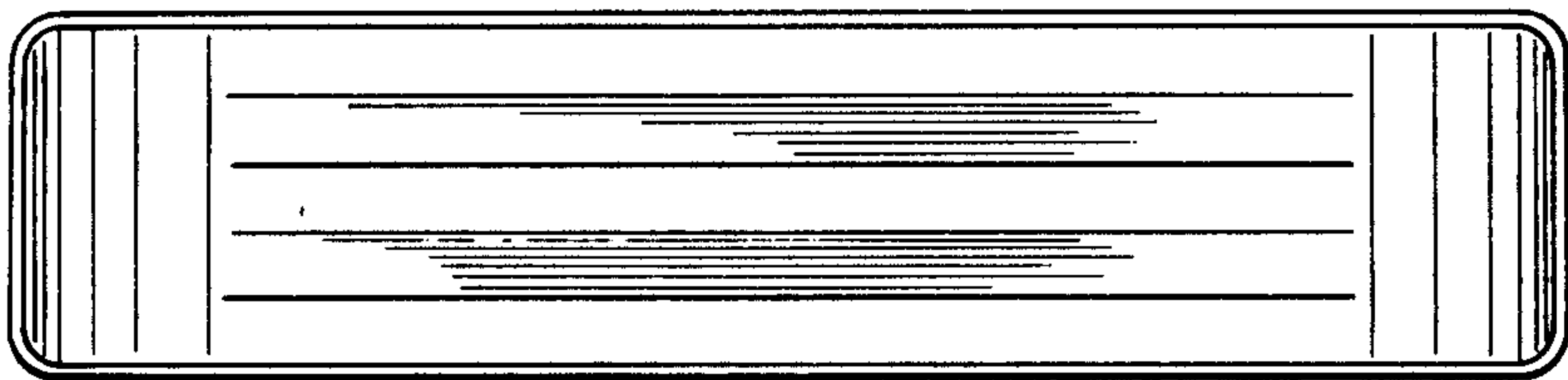


FIG. 5