

[54] **POWERED AQUATIC VEHICLE**
 [75] **Inventor:** Lonnie W. Upchurch, Irving, Tex.
 [73] **Assignee:** Advanced Marine Concepts, Inc.,
 Arlington, Tex.
 [**] **Term:** 14 Years
 [21] **Appl. No.:** 894,626
 [22] **Filed:** Apr. 7, 1978

[51] **Int. Cl.** D12-06
 [52] **U.S. Cl.** D12/62
 [58] **Field of Search** D12/62; 114/283

[56] **References Cited**
U.S. PATENT DOCUMENTS

D. 174,851 5/1955 Caplan D12/62
 D. 187,964 5/1960 Bensen D12/62

D. 228,312 9/1973 Harmon D12/62
 3,401,663 9/1968 Yost 114/283
 3,479,980 11/1969 Simmons 114/283 X

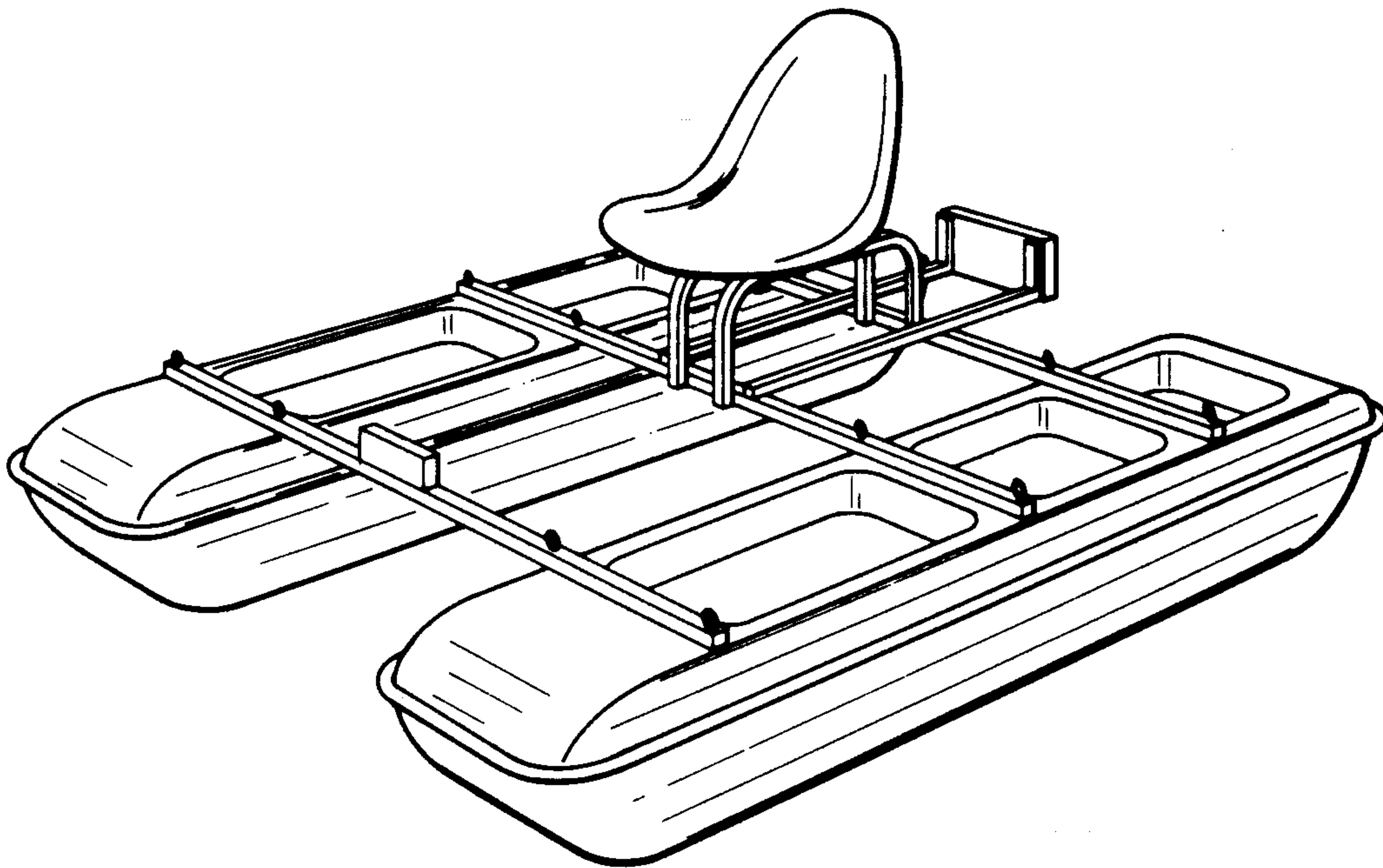
Primary Examiner—Alan P. Douglas
Attorney, Agent, or Firm—Charles W. McHugh

[57] **CLAIM**

The ornamental design for a powered aquatic vehicle,
 as shown.

DESCRIPTION

FIG. 1 is a perspective view of my new and ornamental
 design for a powered aquatic vehicle;
 FIG. 2 is a front elevational view thereof;
 FIG. 3 is a rear elevational view thereof;
 FIG. 4 is a right side elevational view;
 FIG. 5 is a left side elevational view thereof;
 FIG. 6 is a top plan view thereof; and
 FIG. 7 is a bottom plan view thereof.



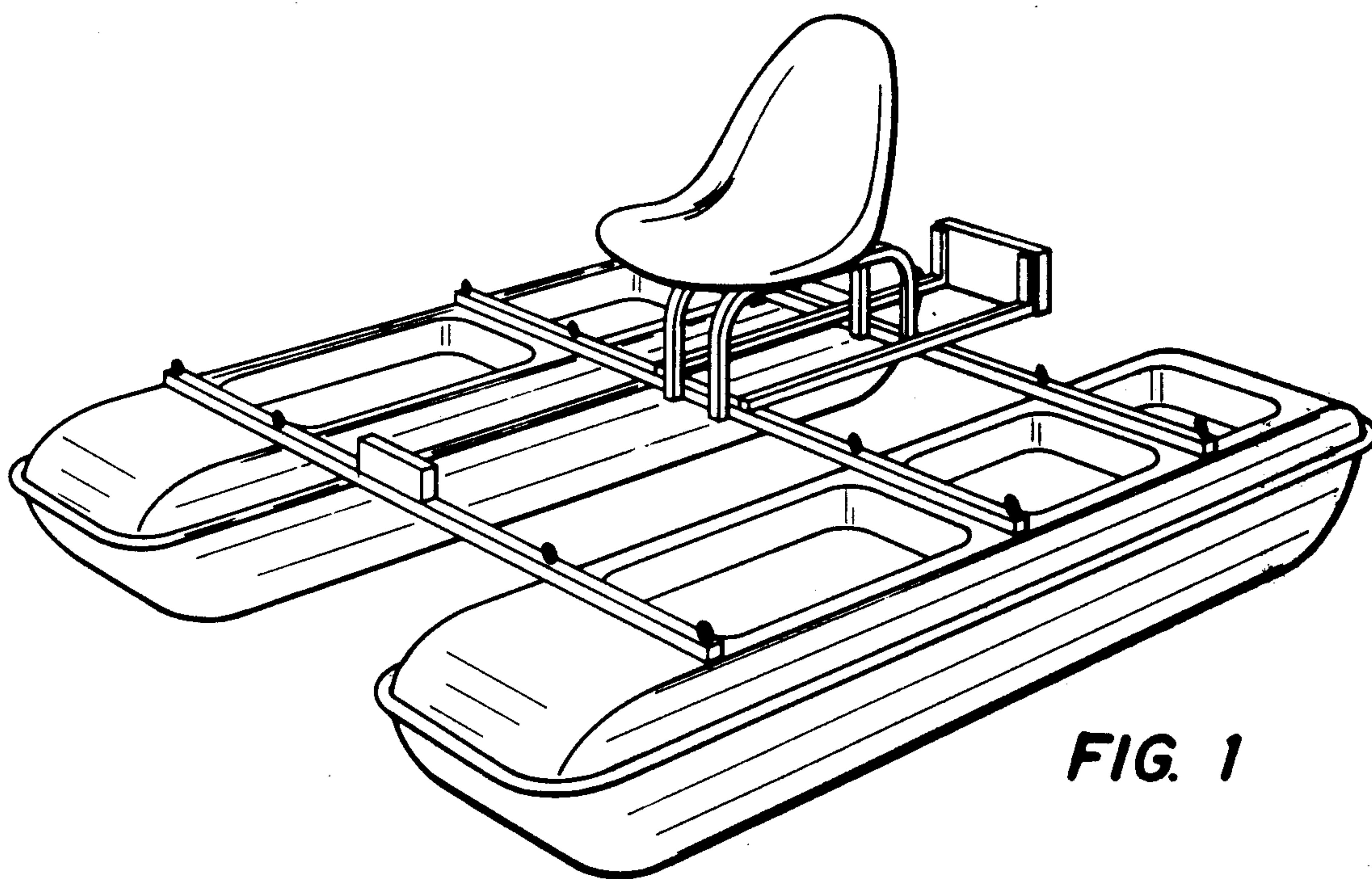


FIG. 1

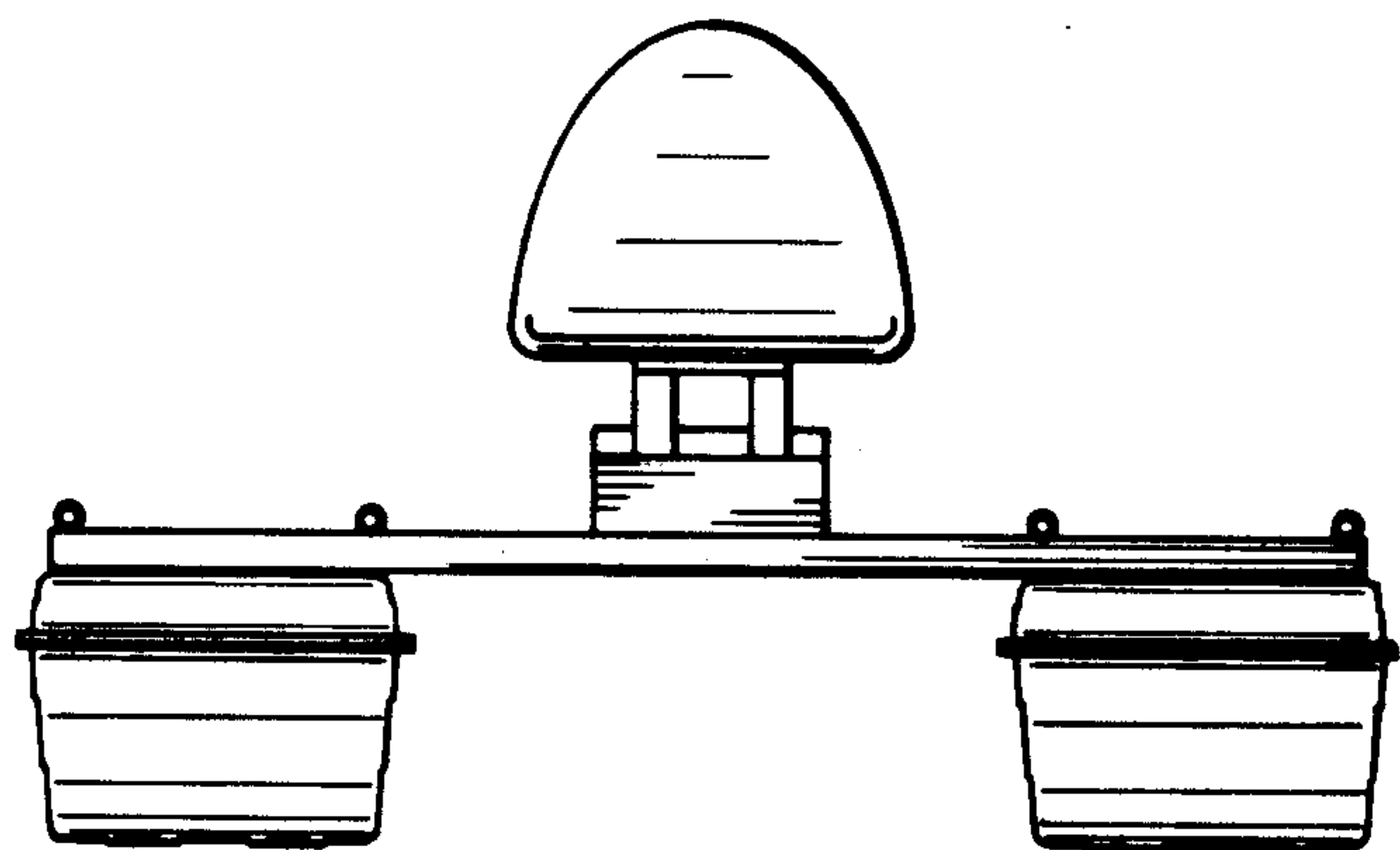


FIG. 2

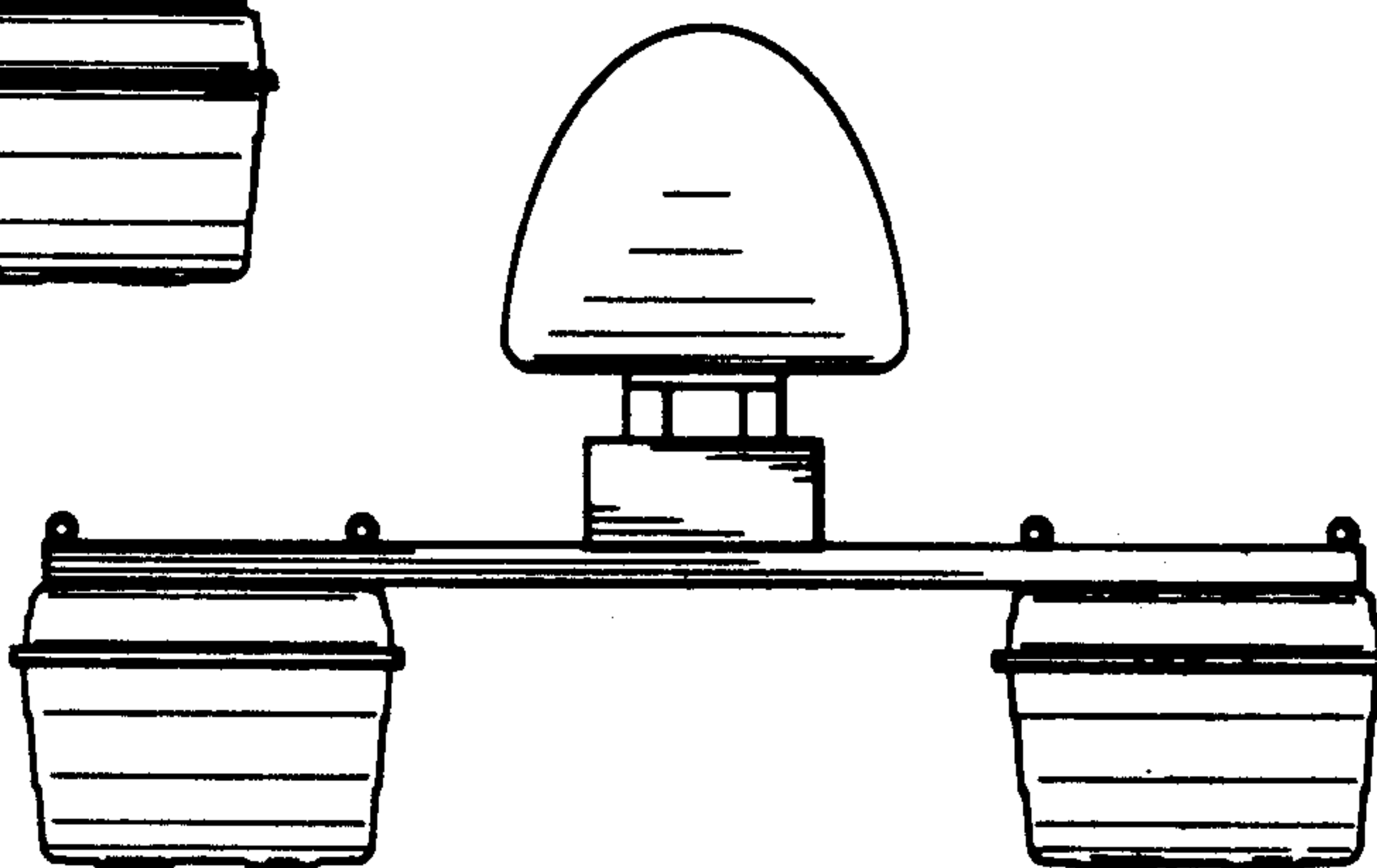


FIG. 3

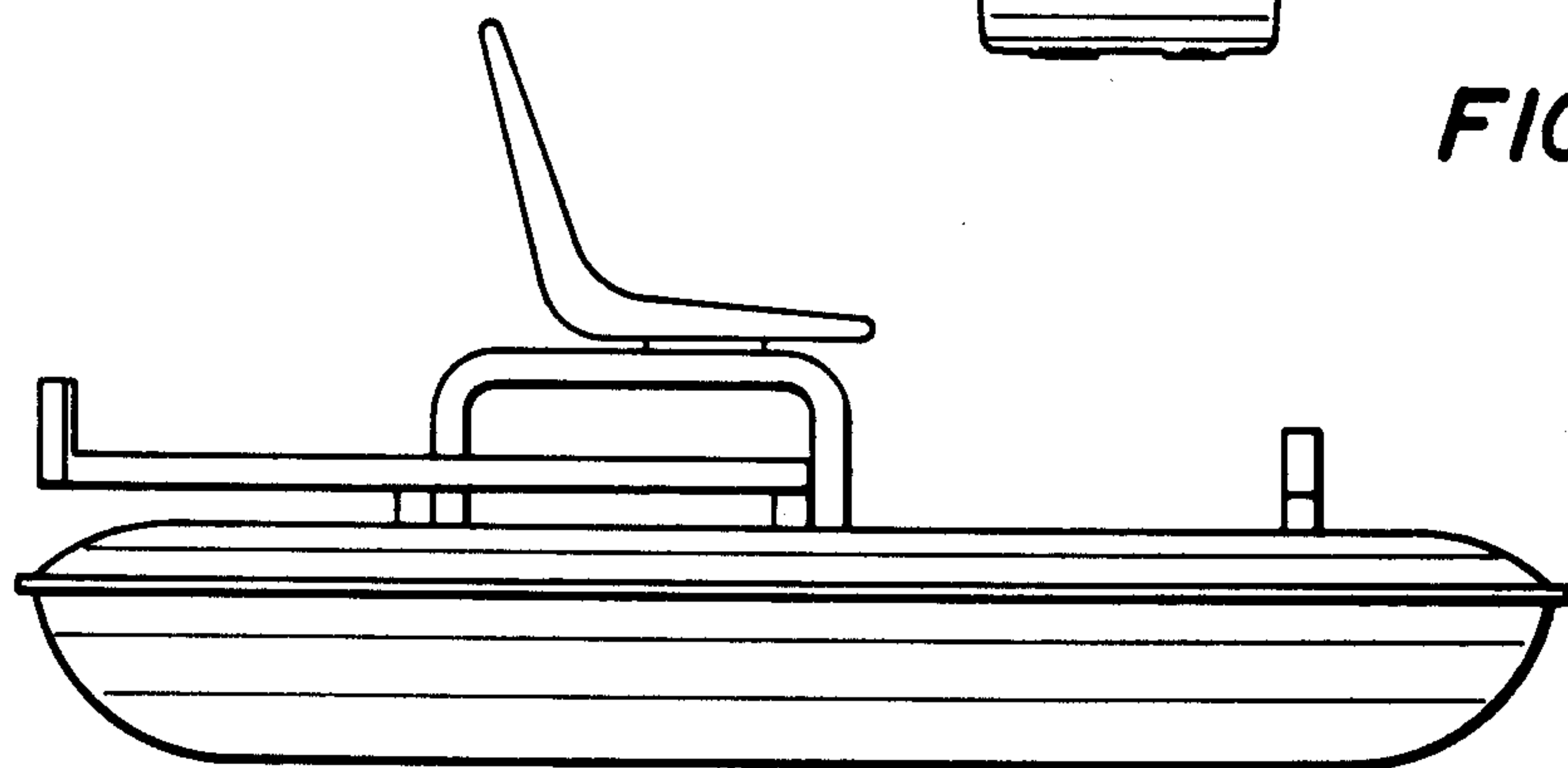


FIG. 4

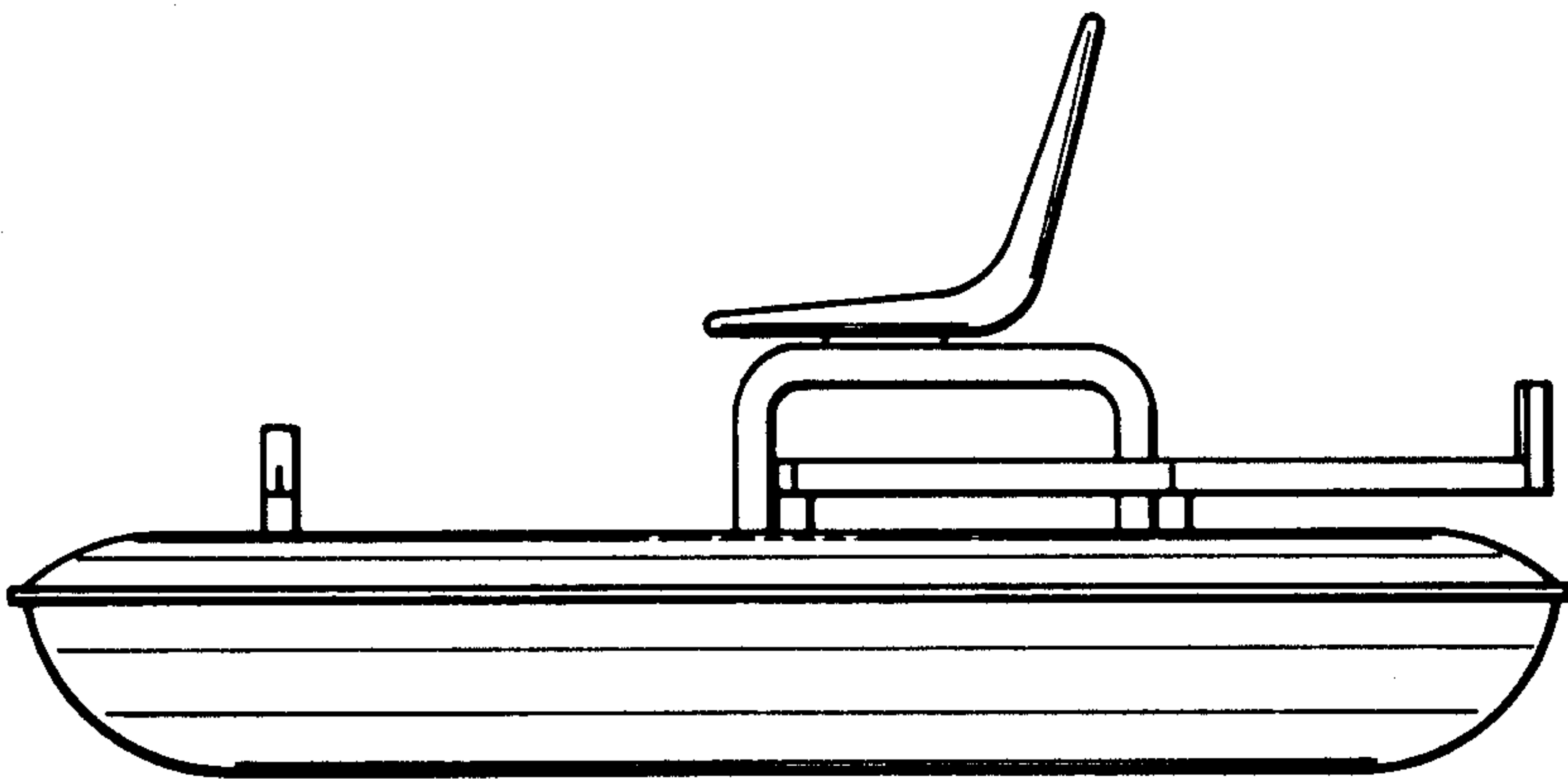


FIG. 5

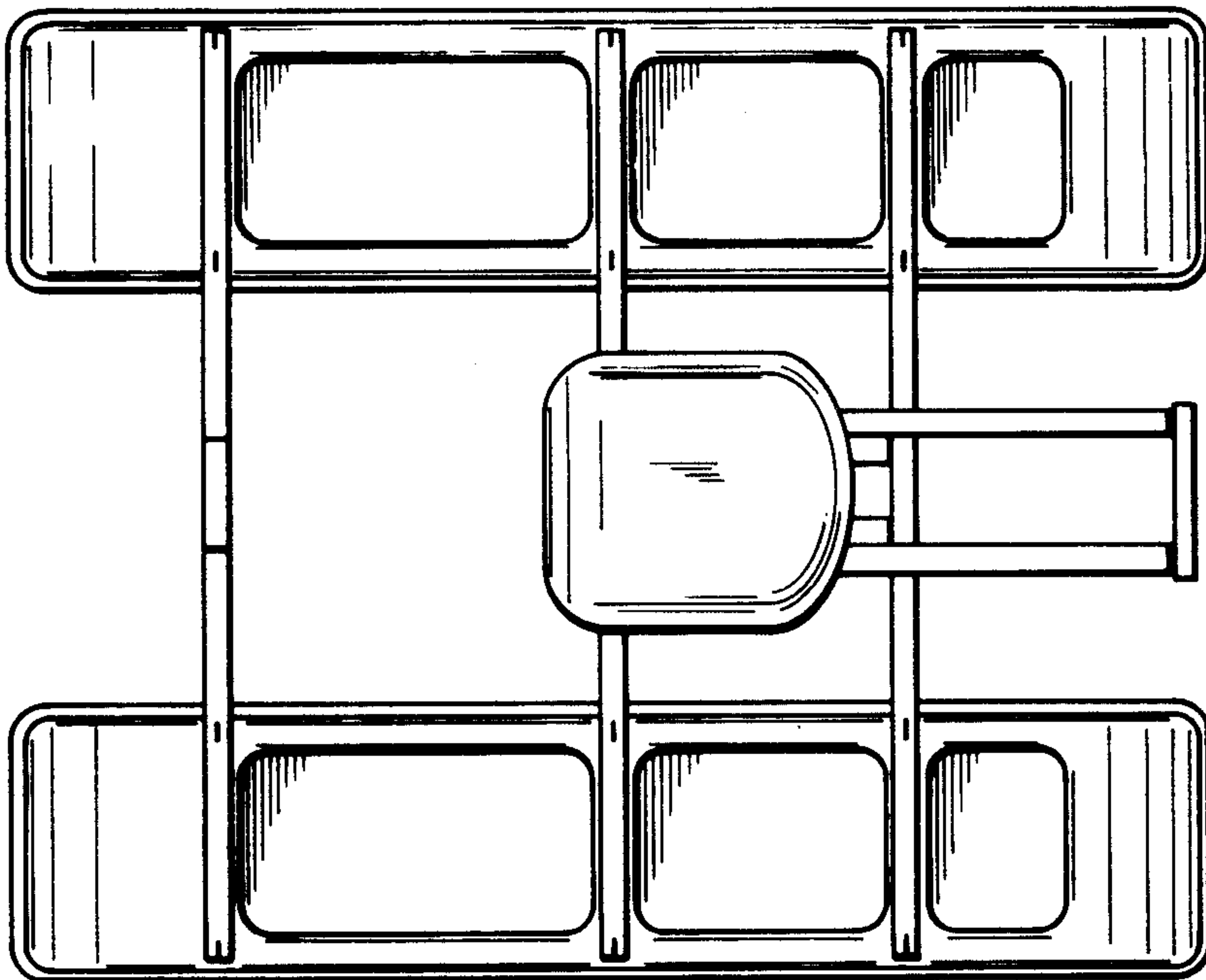


FIG. 6

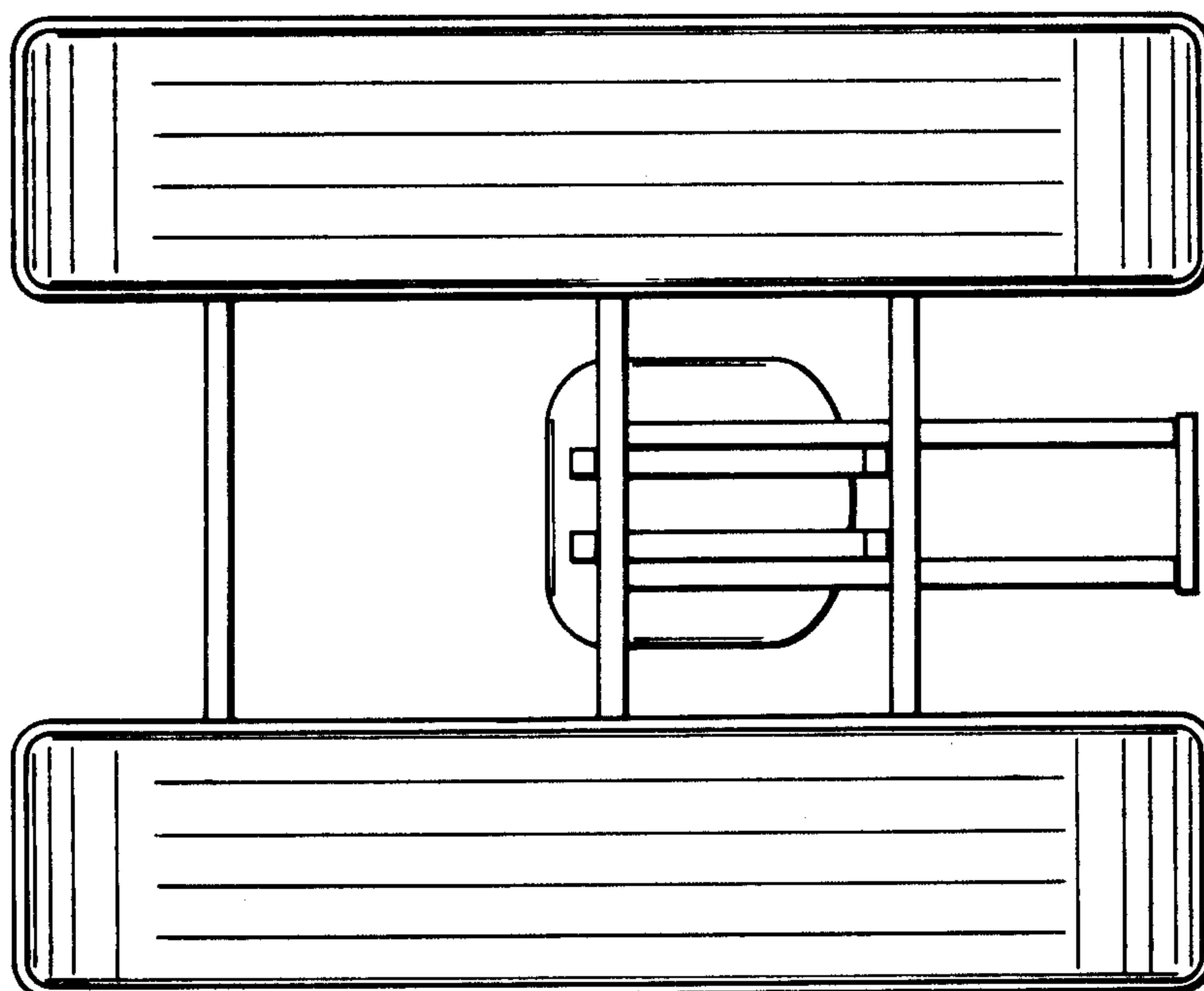


FIG. 7