

[54] BOTTLE CARRYING CASE

[76] Inventor: Marcel E. A. O'Donnal, San Andres Atoto 6, Naucalpan de Juarez, Edo. de Mexico, Mexico

[**] Term: 14 Years

[21] Appl. No.: 904,637

[22] Filed: May 10, 1978

[30] Foreign Application Priority Data

Nov. 10, 1977 [MX] Mexico 1770

[51] Int. Cl. D9-03

[52] U.S. Cl. D9/176; 206/203

[58] Field of Search D9/176, 177, 179, 264; 206/203, 558, 564, 427, 429; 220/23.8

[56] References Cited

U.S. PATENT DOCUMENTS

D. 160,608	10/1950	Jones et al.	D9/179
3,115,266	12/1963	Poupitch	D9/179 X
3,991,879	11/1976	Hirota	206/203

Primary Examiner—George G. Stellar
Attorney, Agent, or Firm—Allan M. Lowe

[57] CLAIM

The ornamental design for a bottle carrying case, as shown.

DESCRIPTION

FIG. 1 is a front elevational view of a bottle carrying case showing my new design, the opposite side being substantially the same in appearance;

FIG. 2 is a top plan view thereof;

FIG. 3 is an end elevational view thereof, the opposite end being substantially the same in appearance; and

FIG. 4 is a sectional view taken along line 4-4 of FIG. 2.

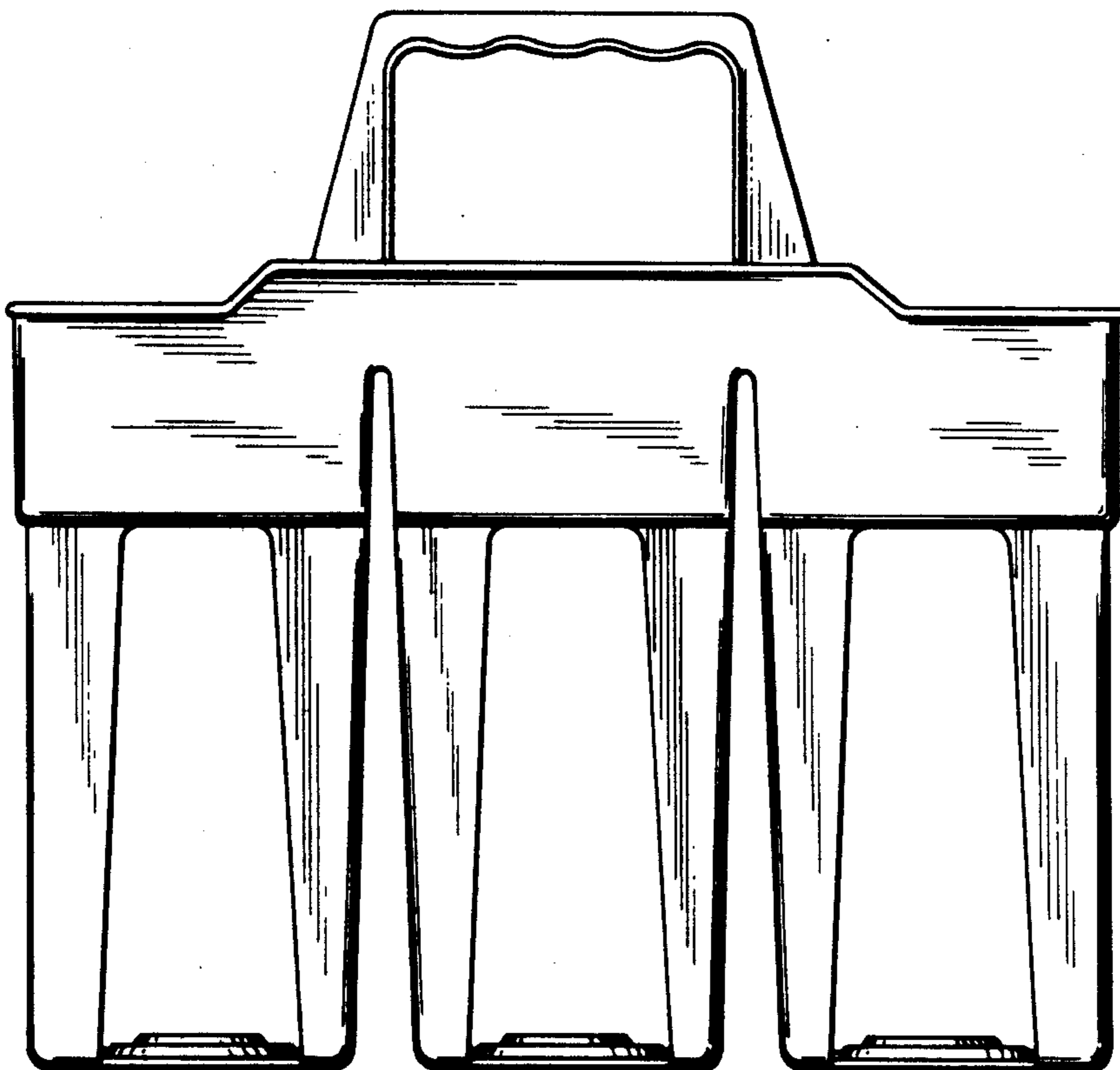


FIG. 1

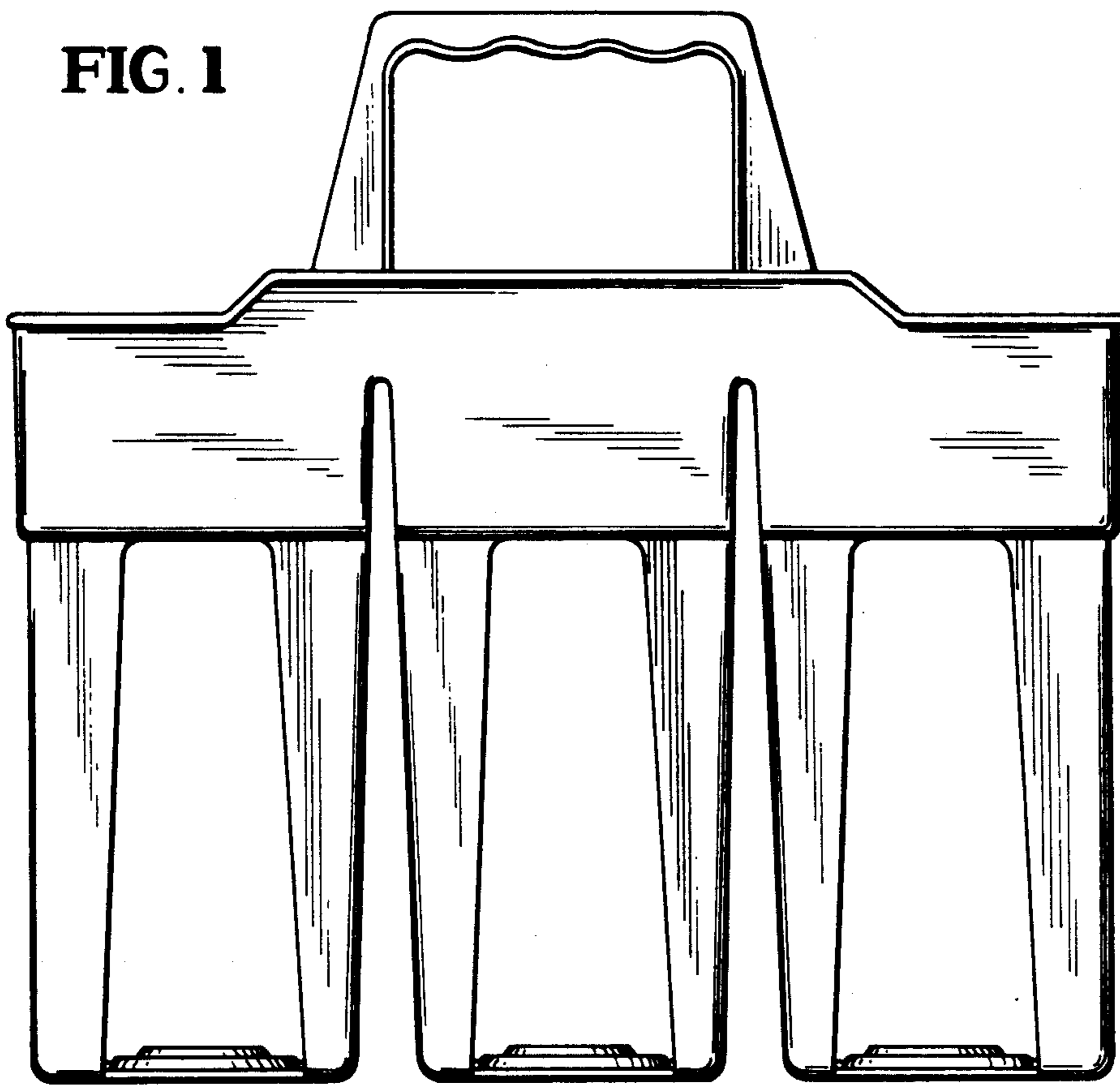
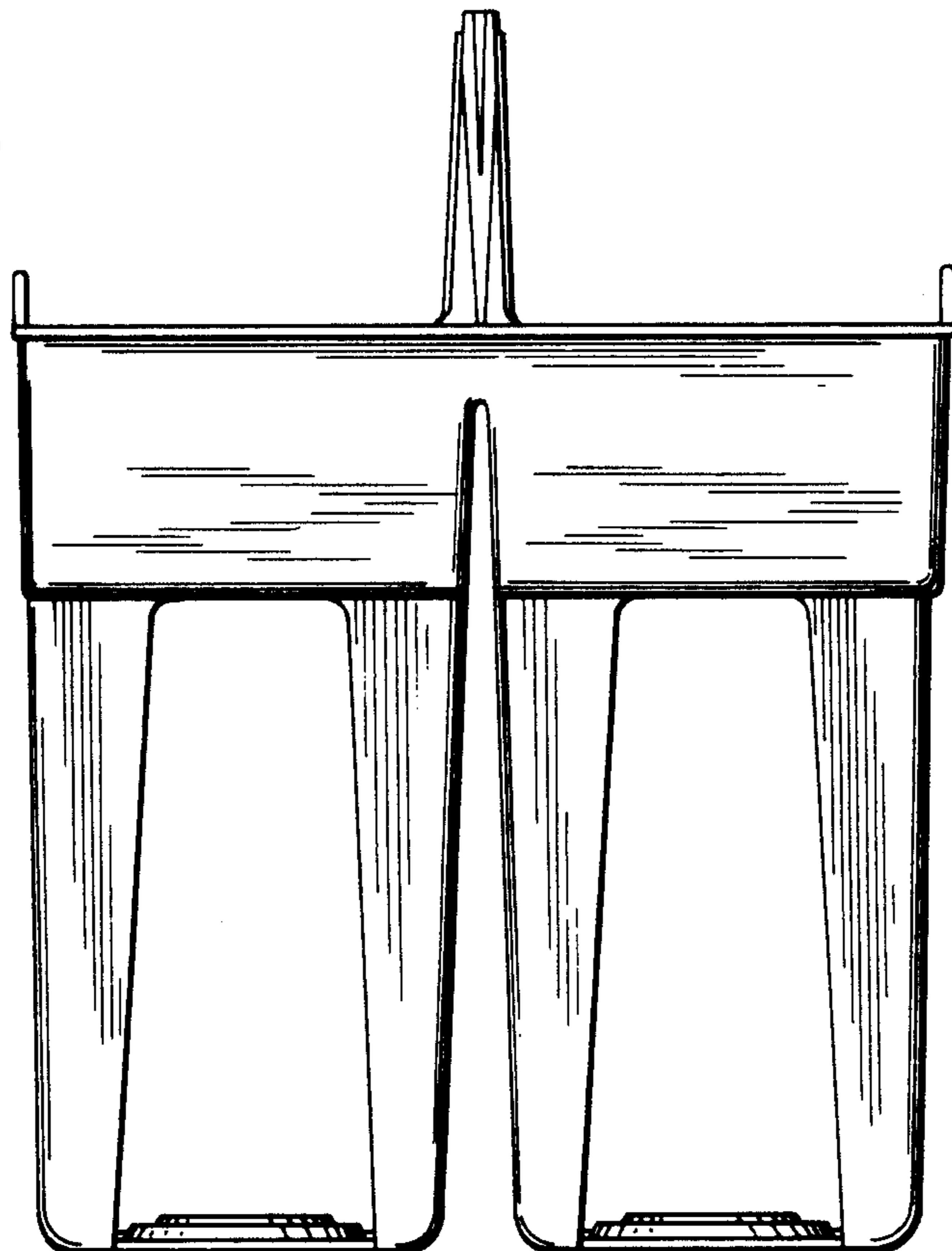


FIG. 3



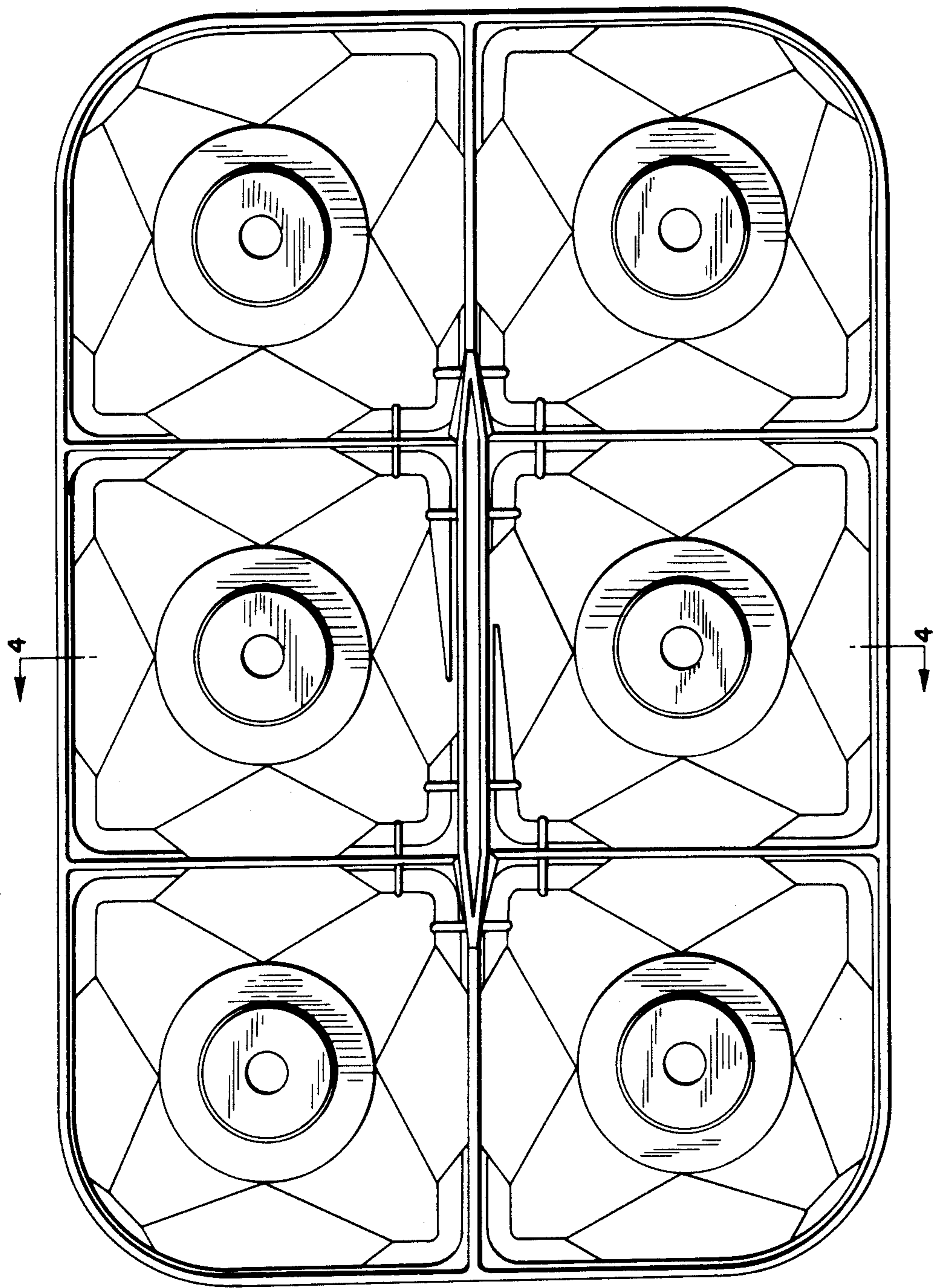


FIG. 2

FIG. 4

