

[54] DECANTER

[75] Inventor: Edward J. Kretz, Toledo, Ohio

[73] Assignee: Owens-Illinois, Inc.

[**] Term: 14 Years

[21] Appl. No.: 901,970

[22] Filed: May 1, 1978

[51] Int. Cl. D9-01

[52] U.S. Cl. D9/159

[58] Field of Search D9/159-161,
D9/130, 70, 71, 67, 68, 72, 62; 215/1 R, 1 C

[56] References Cited

U.S. PATENT DOCUMENTS

D. 90,760	9/1933	Gluckman	D9/67
D. 94,010	12/1934	Westlake	D9/130
D. 172,869	8/1954	Du Pree	D9/62

D. 181,718	12/1957	Du Pree	D9/160
D. 216,778	3/1970	Stone	D9/70
D. 247,282	2/1978	Zimmermann	D9/71

Primary Examiner—Robert C. Spangler
Attorney, Agent, or Firm—J. R. Nelson

[57] CLAIM

The ornamental design for a decanter, substantially as shown and described.

DESCRIPTION

FIG. 1 is an elevational view of a decanter showing my new design, the opposite side being the same in appearance;

FIG. 2 is a top plan view;

FIG. 3 is an elevational view looking from the right of FIG. 1, the opposite side being the same in appearance;

FIG. 4 is a bottom plan view; and

FIG. 5 is a sectional view taken on the line 5—5 of FIG. 1.

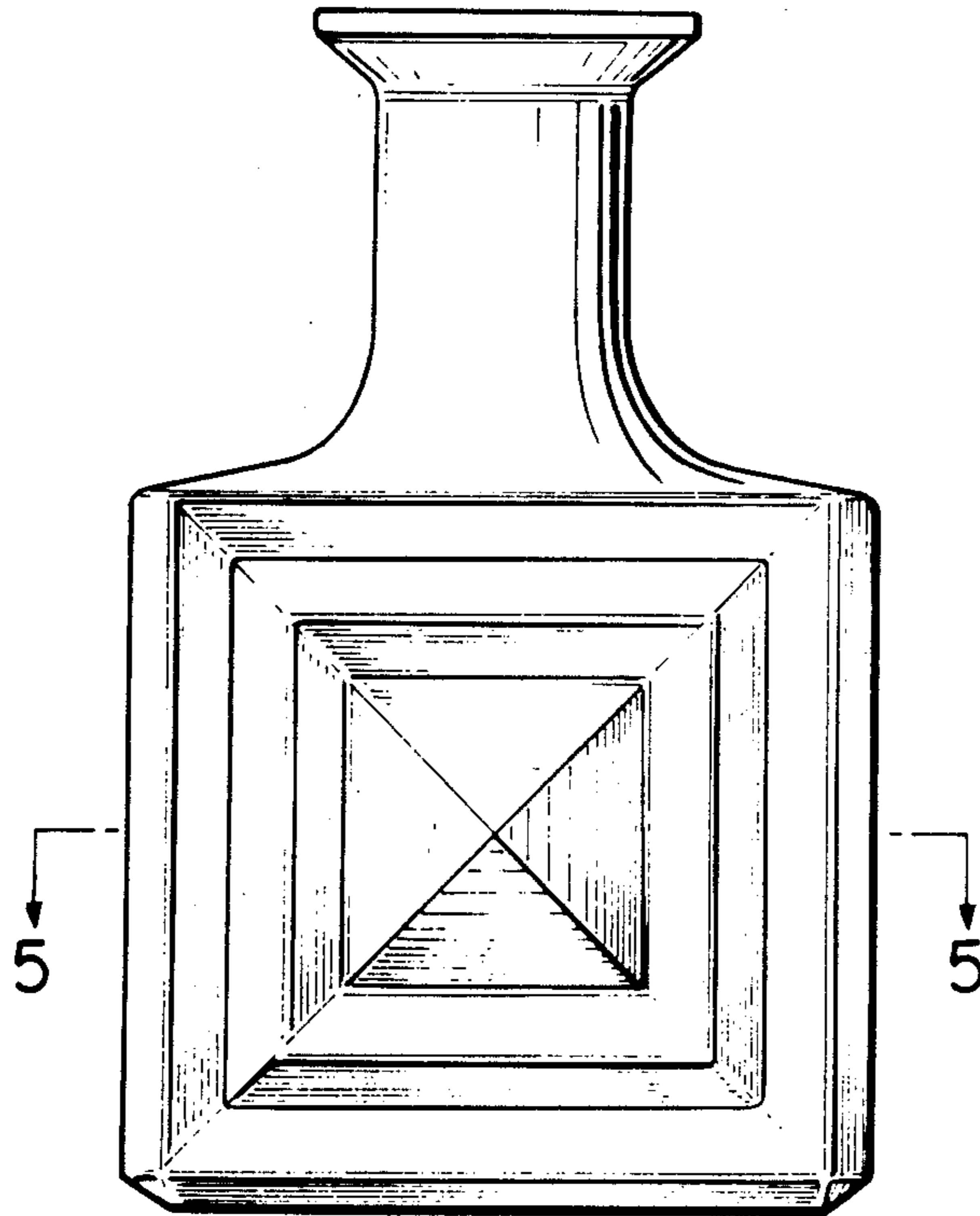


FIG. 1

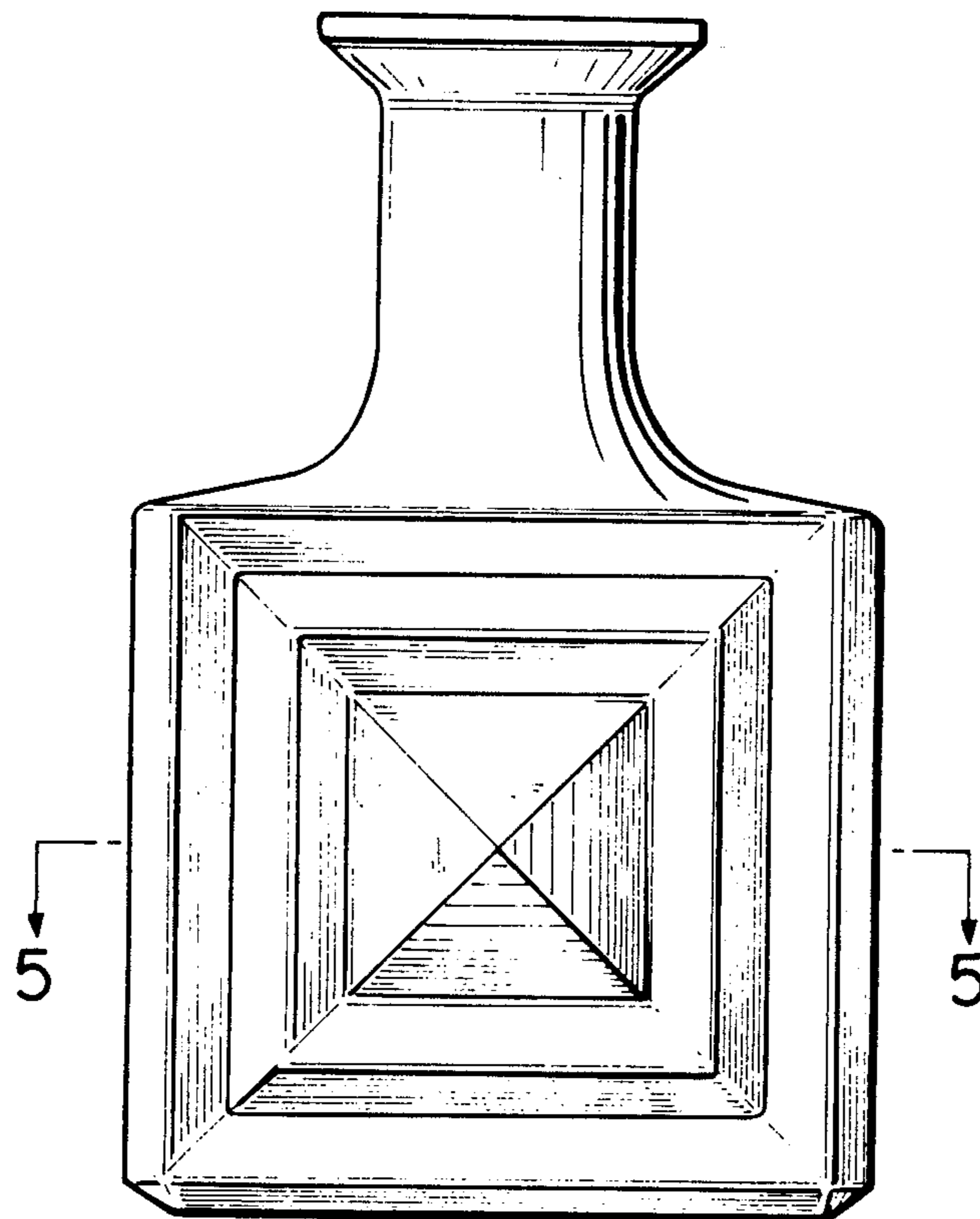


FIG. 2

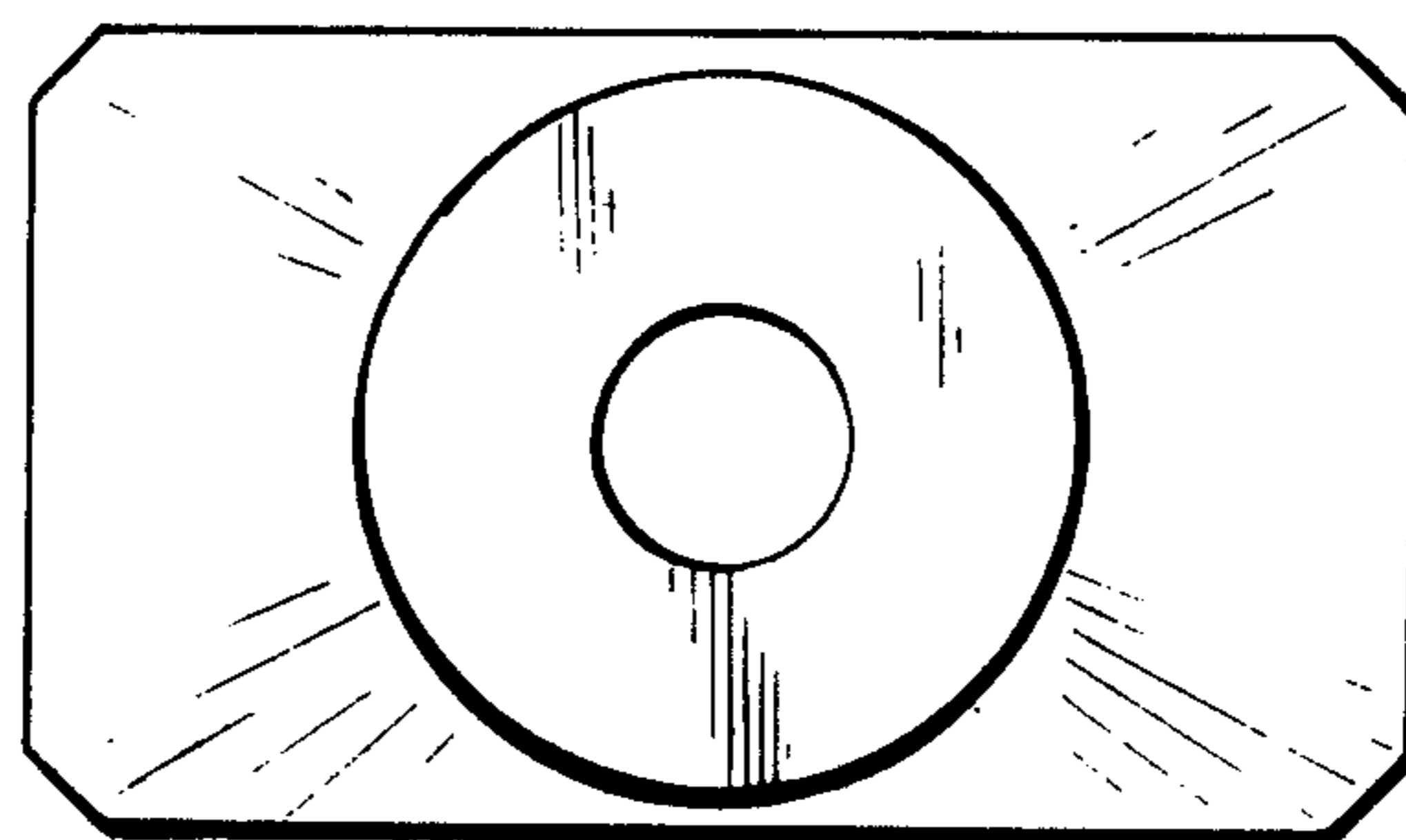


FIG. 3

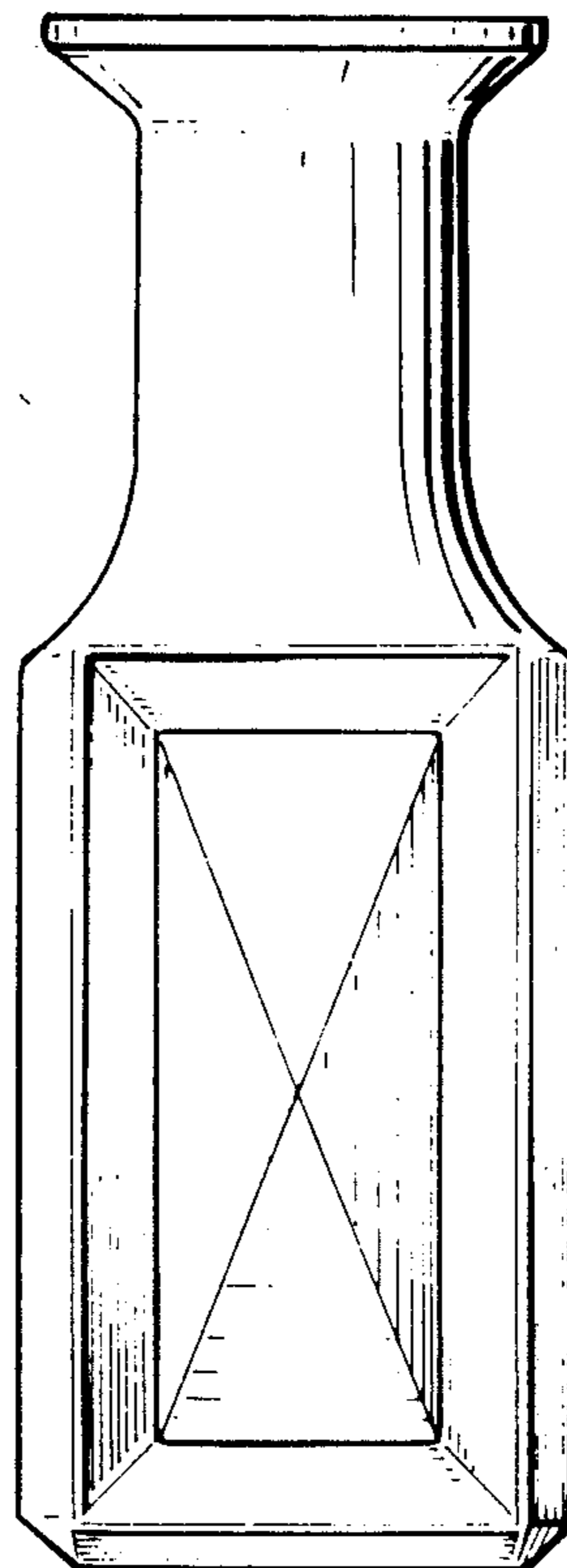
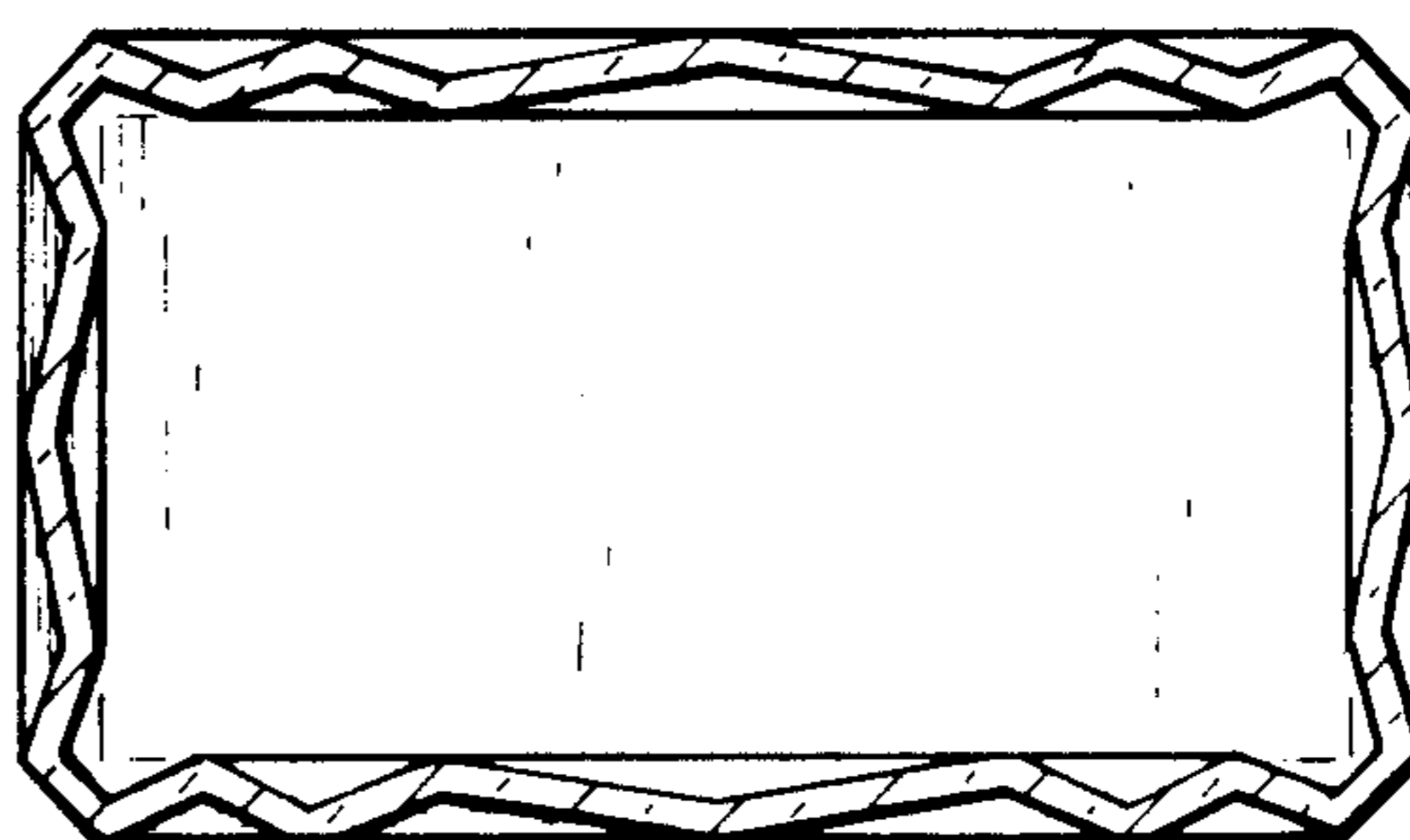


FIG. 5



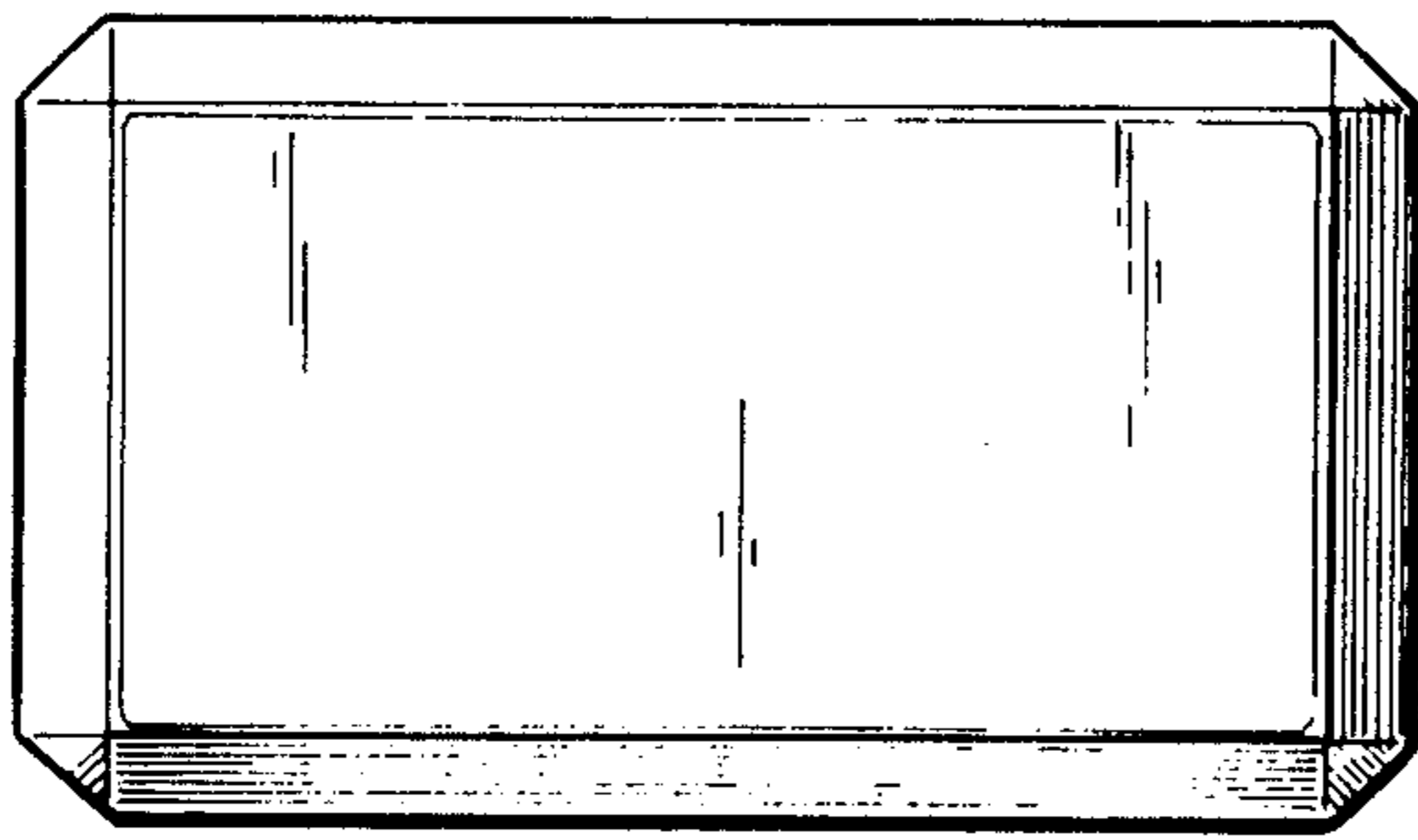


FIG. 4