

[54] RIM LOCK

[75] Inventors: Walter E. Best; William R. Foshee, both of Indianapolis, Ind.

[73] Assignee: Best Lock Corporation, Indianapolis, Ind.

[**] Term: 14 Years

[21] Appl. No.: 924,457

[22] Filed: Jul. 13, 1978

[51] Int. Cl. D8-07

[52] U.S. Cl. D8/341

[58] Field of Search D8/341, 331; 292/337; 70/104, 128, 131, 448

[56] References Cited

U.S. PATENT DOCUMENTS

3,774,420 11/1973 Orr 70/131

OTHER PUBLICATIONS

Sears 1973 Spring & Summer Catalog, P587, , Rim Locks 1 & 2, top center of page.

Wards 1975 Fall & Winter Catalog, P721, Dead Bolt Night Latch, 5, bottom left side of page.

Primary Examiner—James M. Gandy

Attorney, Agent, or Firm—Thomas P. Jenkins

[57] CLAIM

The ornamental design for a rim lock, as shown and described.

DESCRIPTION

FIG. 1 is a perspective view of a rim lock showing our new design;

FIG. 2 is a left end elevational view thereof;

FIG. 3 is a top plan view thereof;

FIG. 4 is a right end elevational view thereof;

FIG. 5 is a front elevational view thereof;

FIG. 6 is a rear elevational view thereof;

FIG. 7 is a bottom plan view thereof;

FIG. 8 is a perspective view of a rim lock showing a second embodiment of our new design;

FIG. 9 is a left end elevational view of FIG. 8;

FIG. 10 is a top plan view of FIG. 8;

FIG. 11 is a right end elevational view of FIG. 8;

FIG. 12 is a front elevational view of FIG. 8;

FIG. 13 is a rear elevational view of FIG. 8;

FIG. 14 is a bottom plan view of FIG. 8; and

FIG. 15 is a perspective view of a rim lock showing a third embodiment of our new design, wherein the only difference between the third embodiment and the second embodiment resides in the addition of a latch-retracting pin.

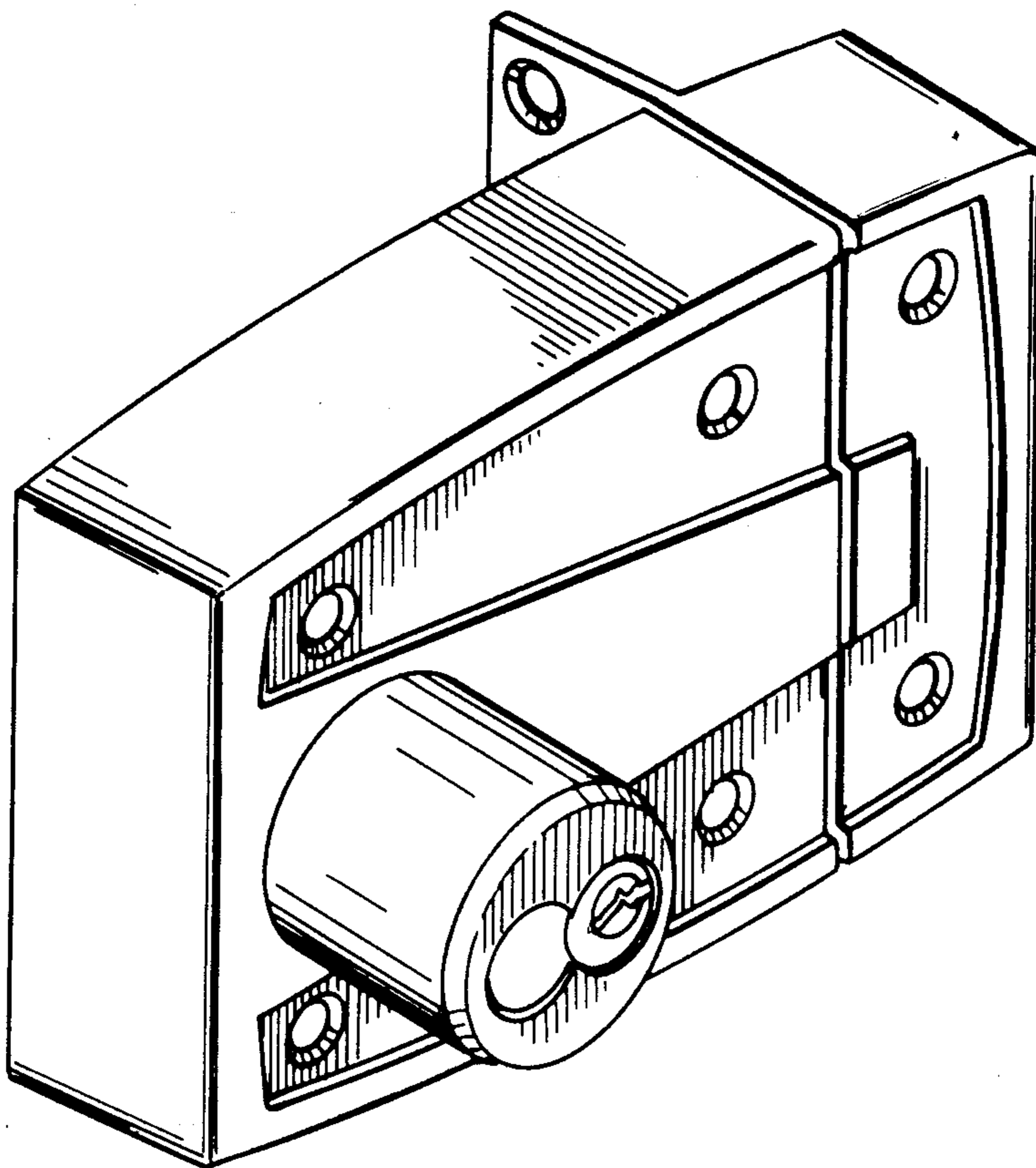


FIG. 1

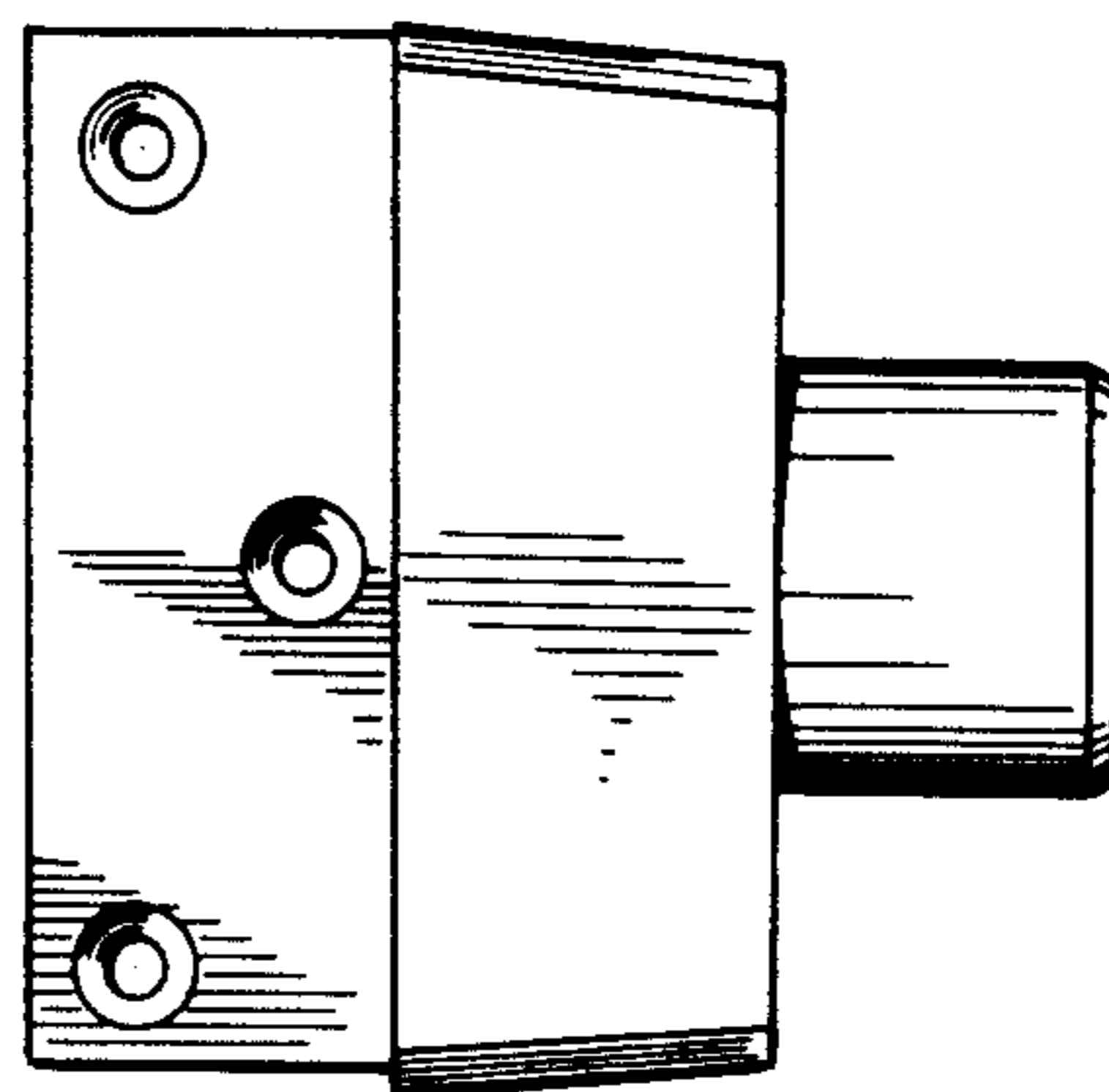
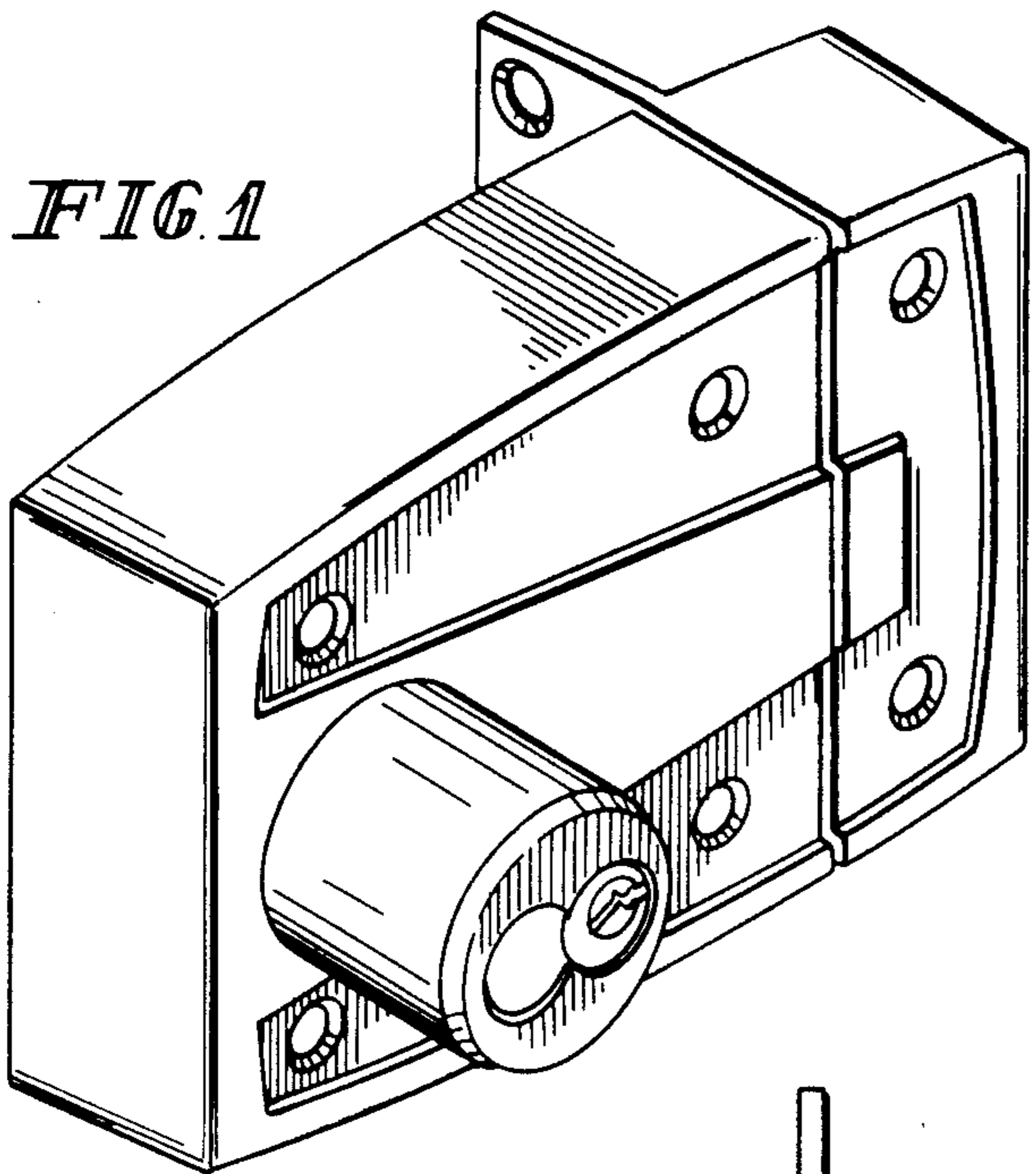


FIG. 2

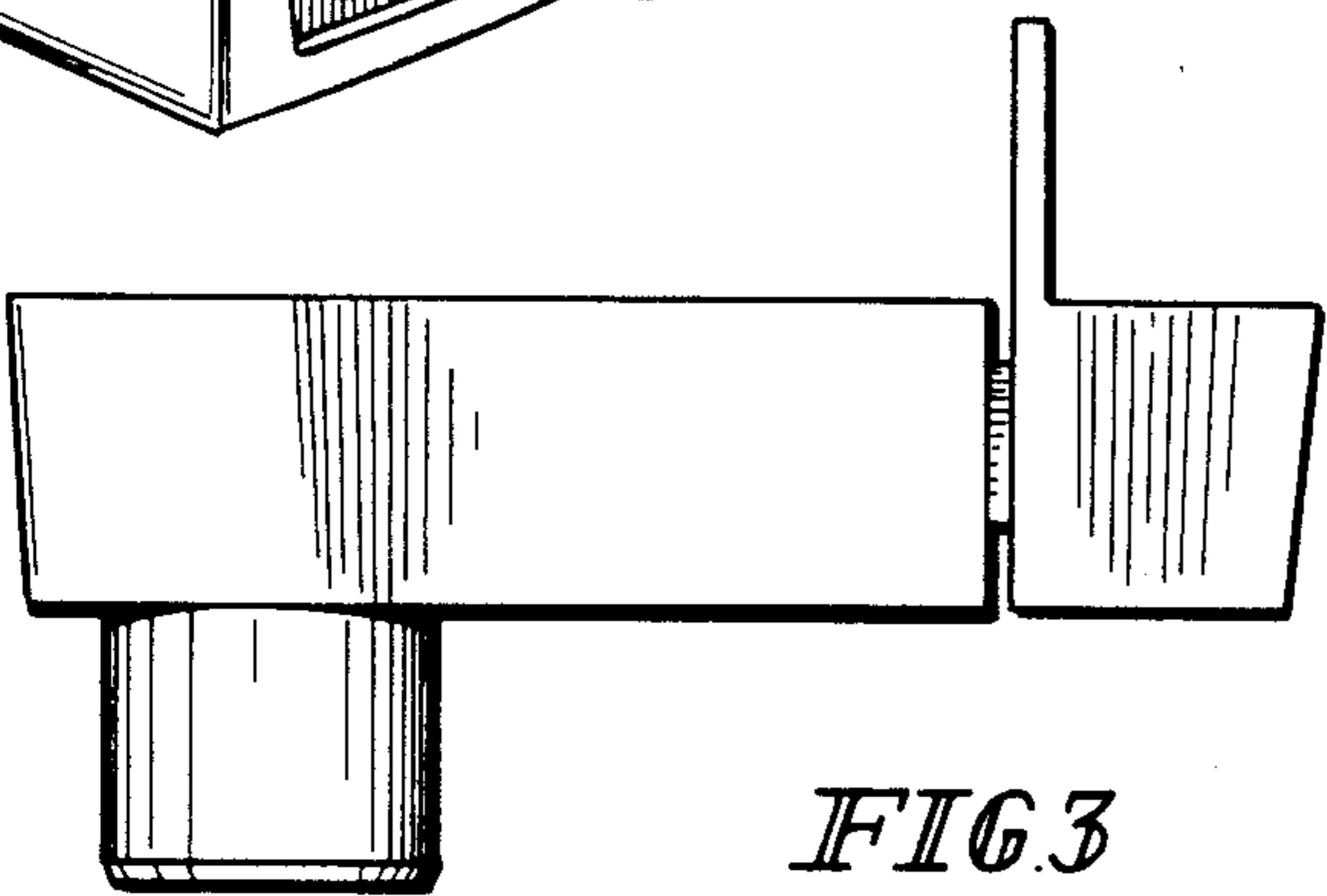


FIG. 3

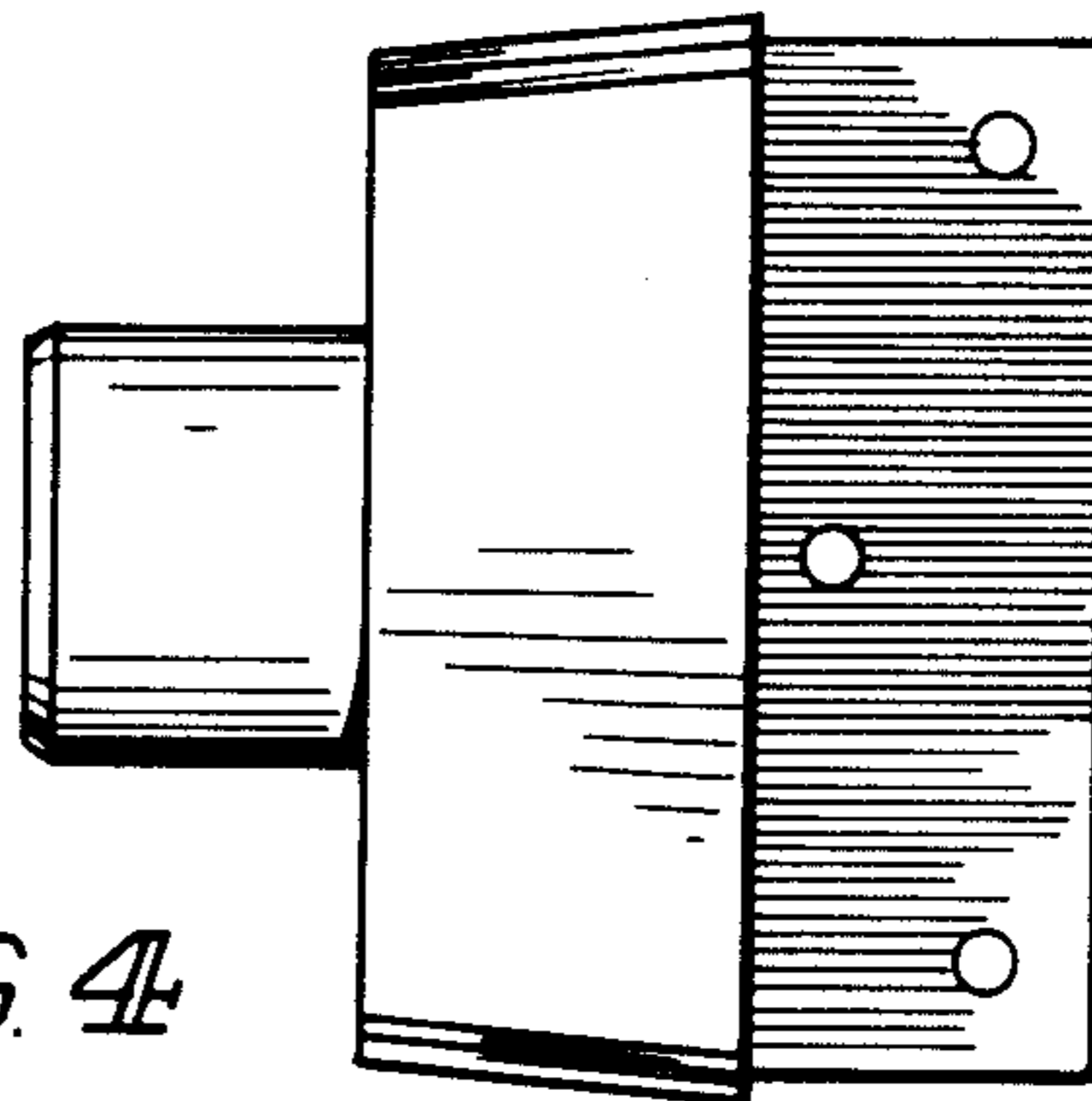


FIG. 4

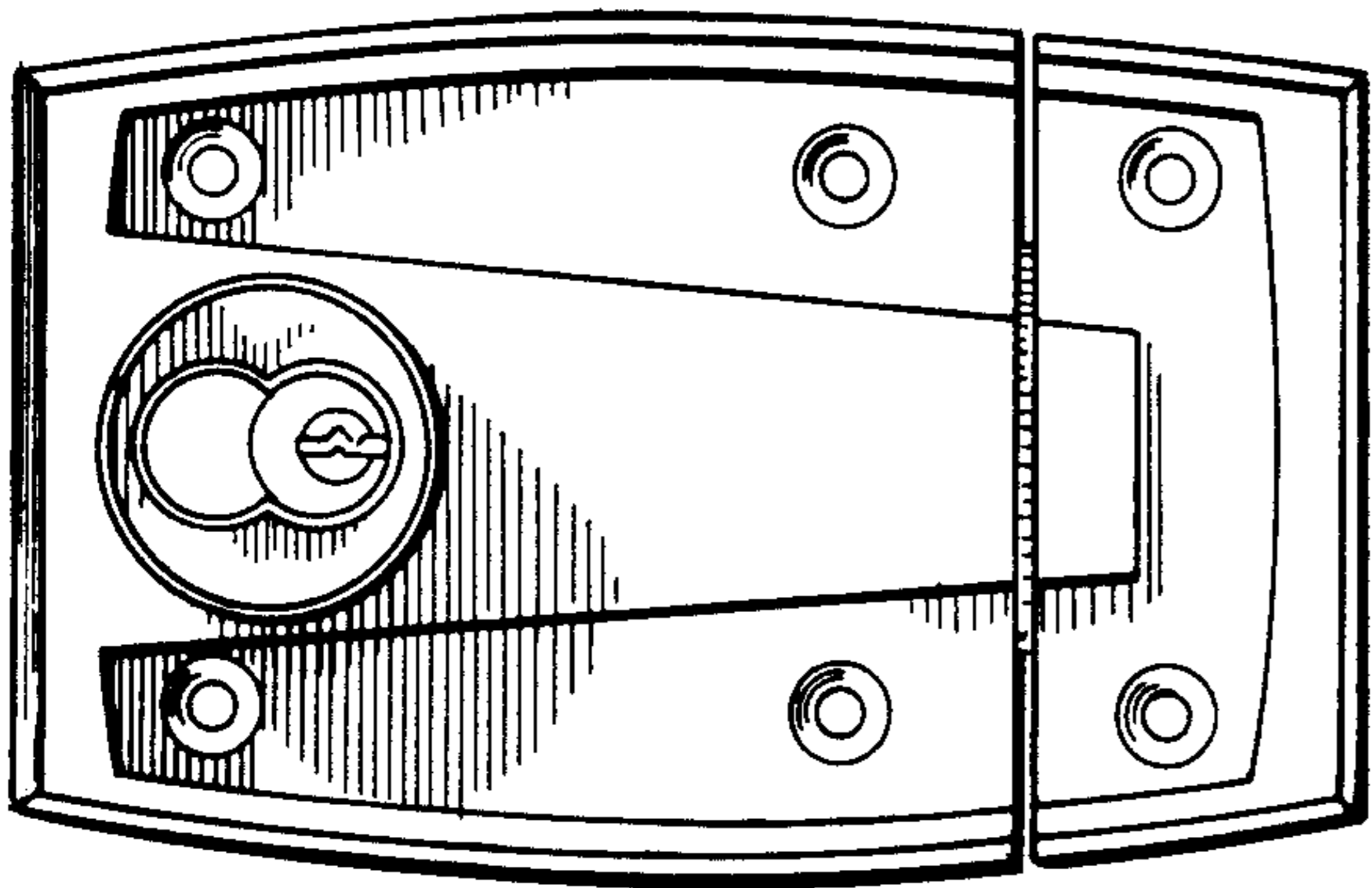


FIG. 5

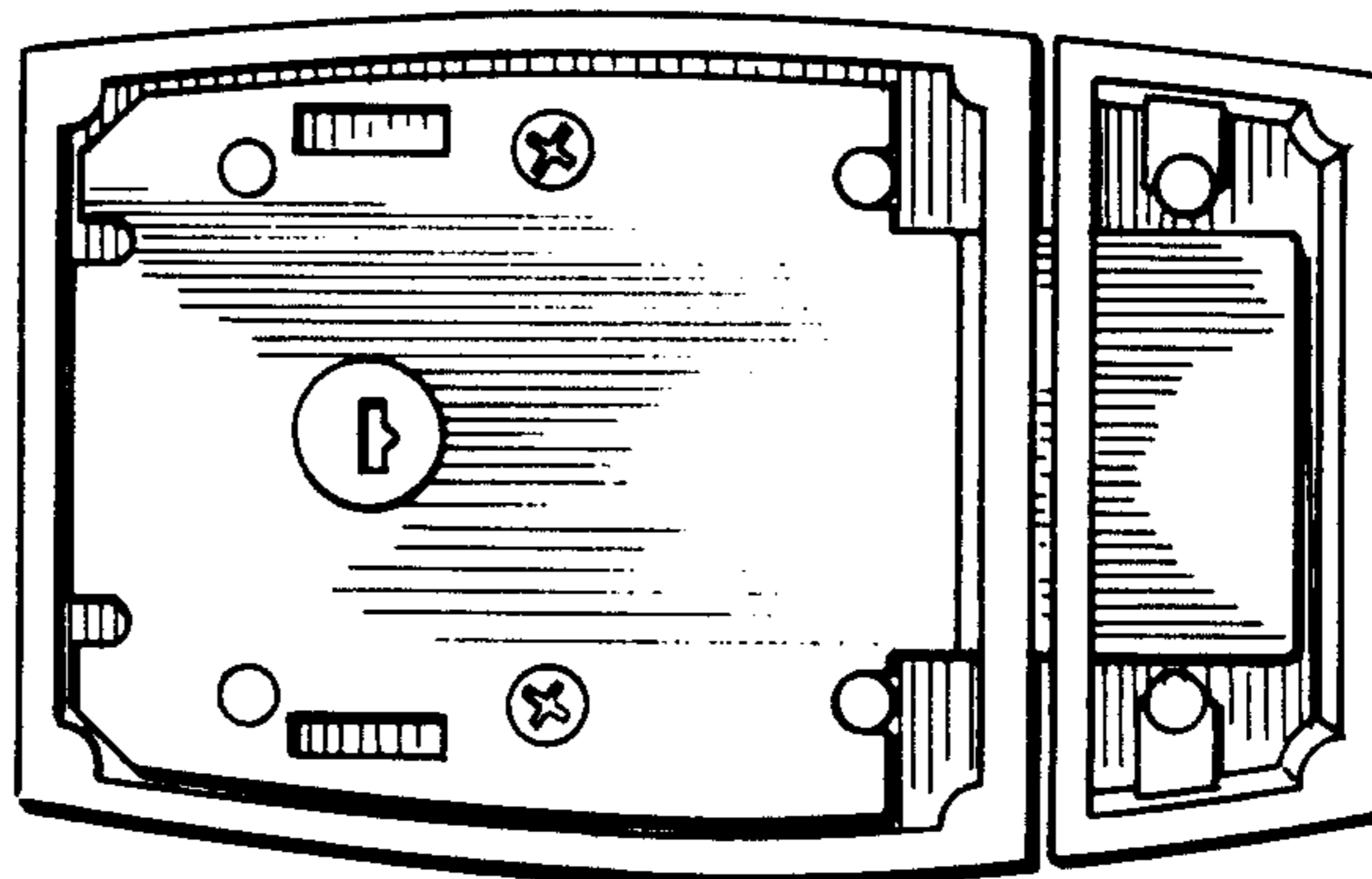


FIG. 6

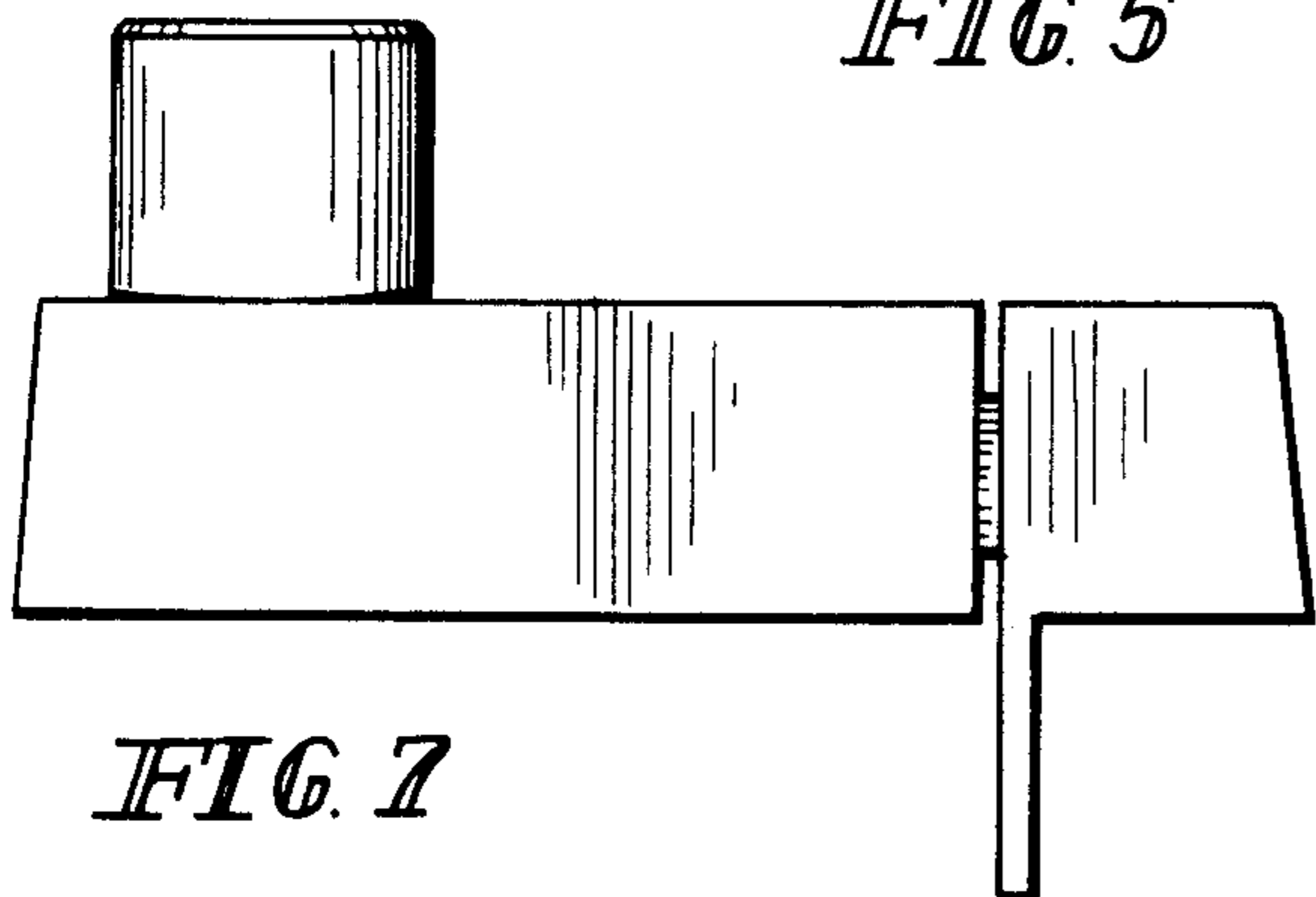


FIG. 7

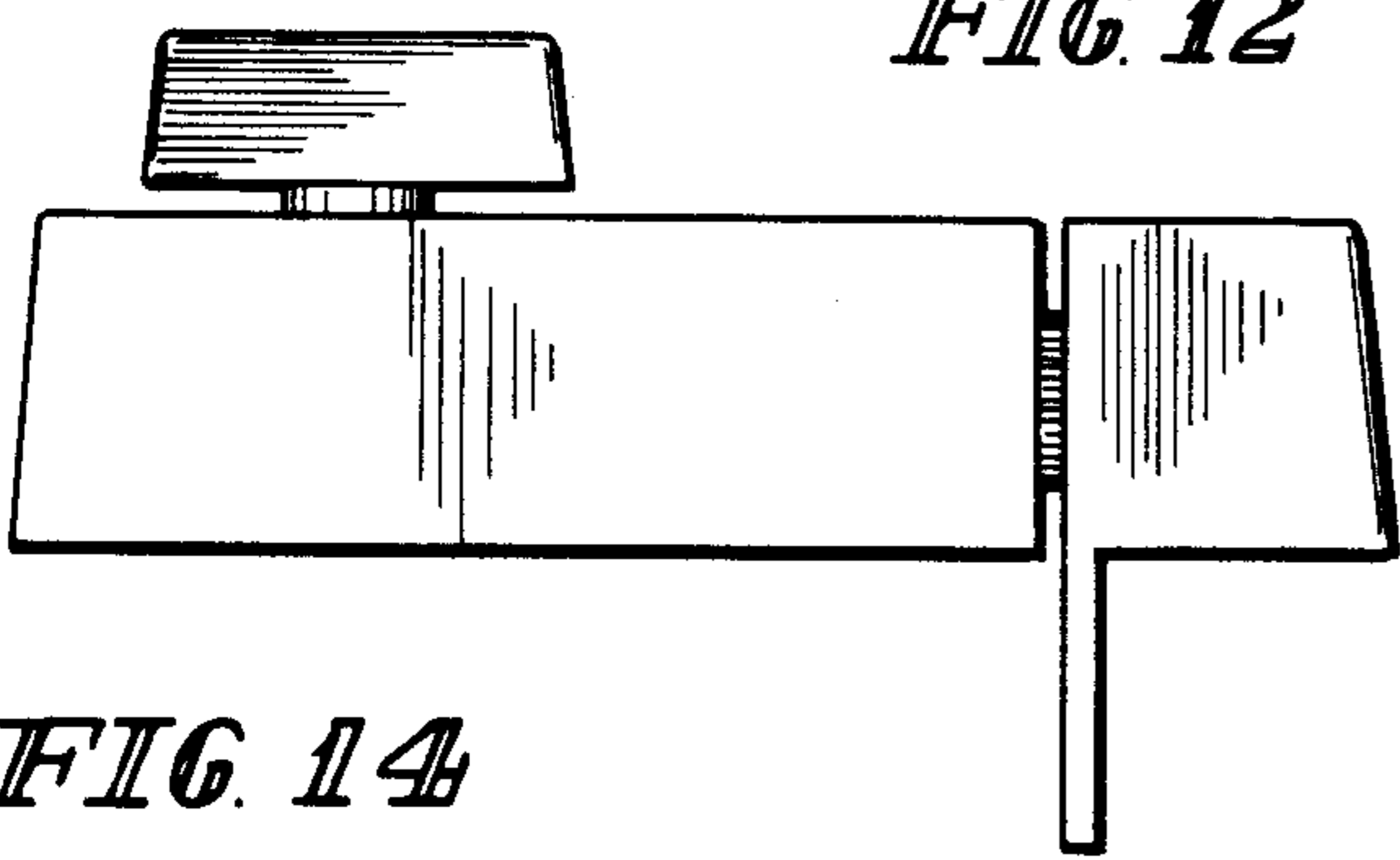
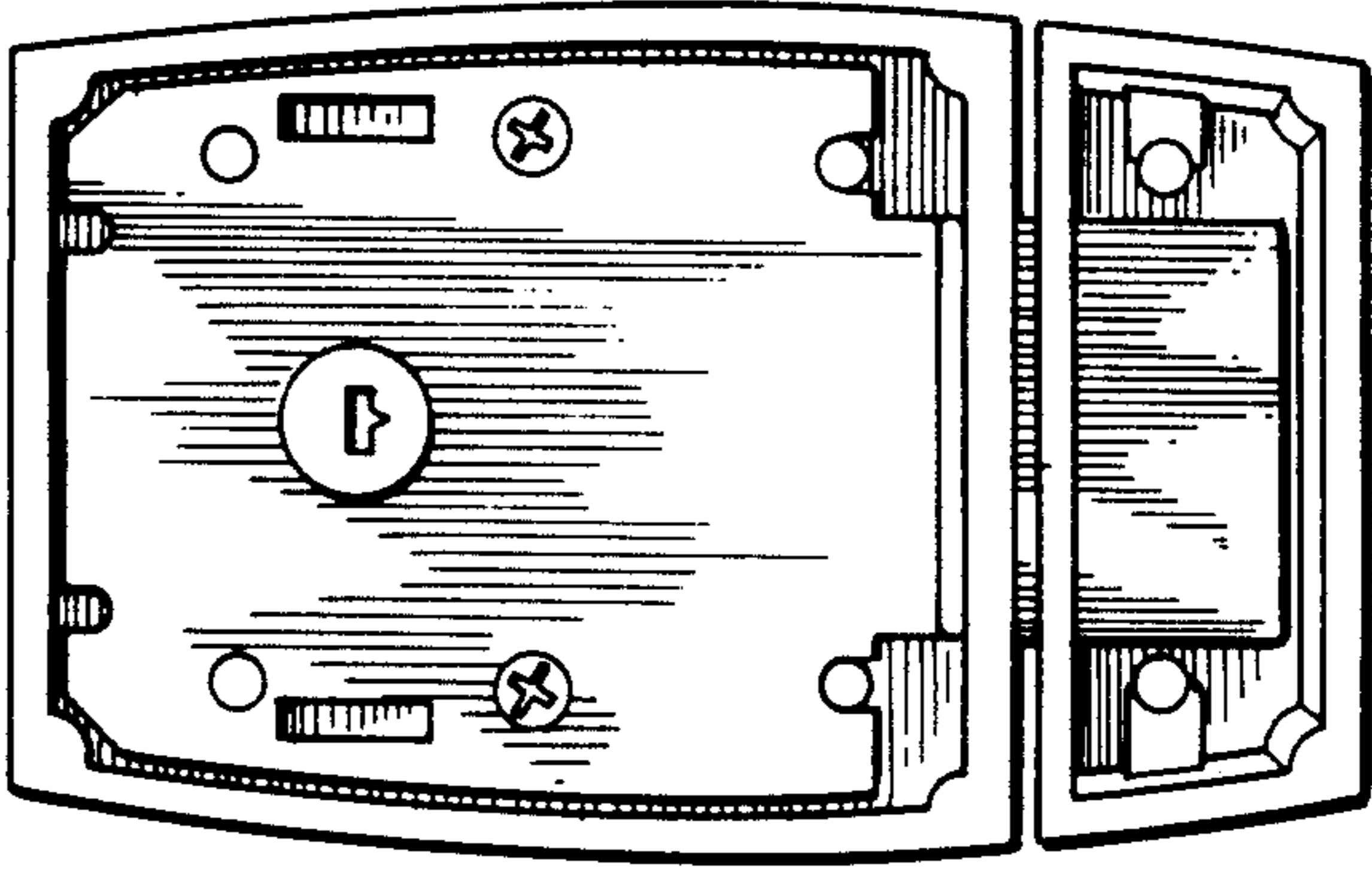
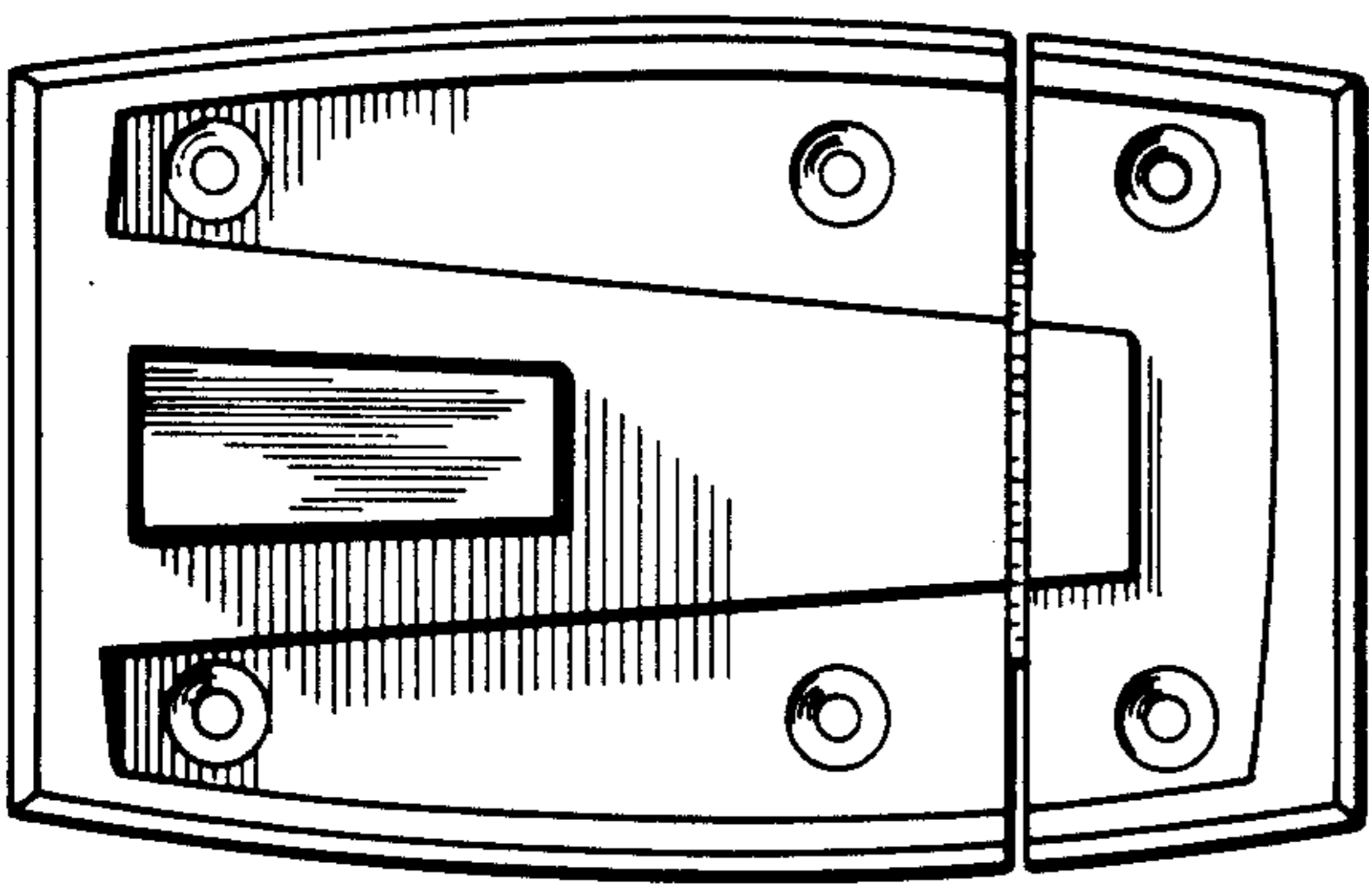
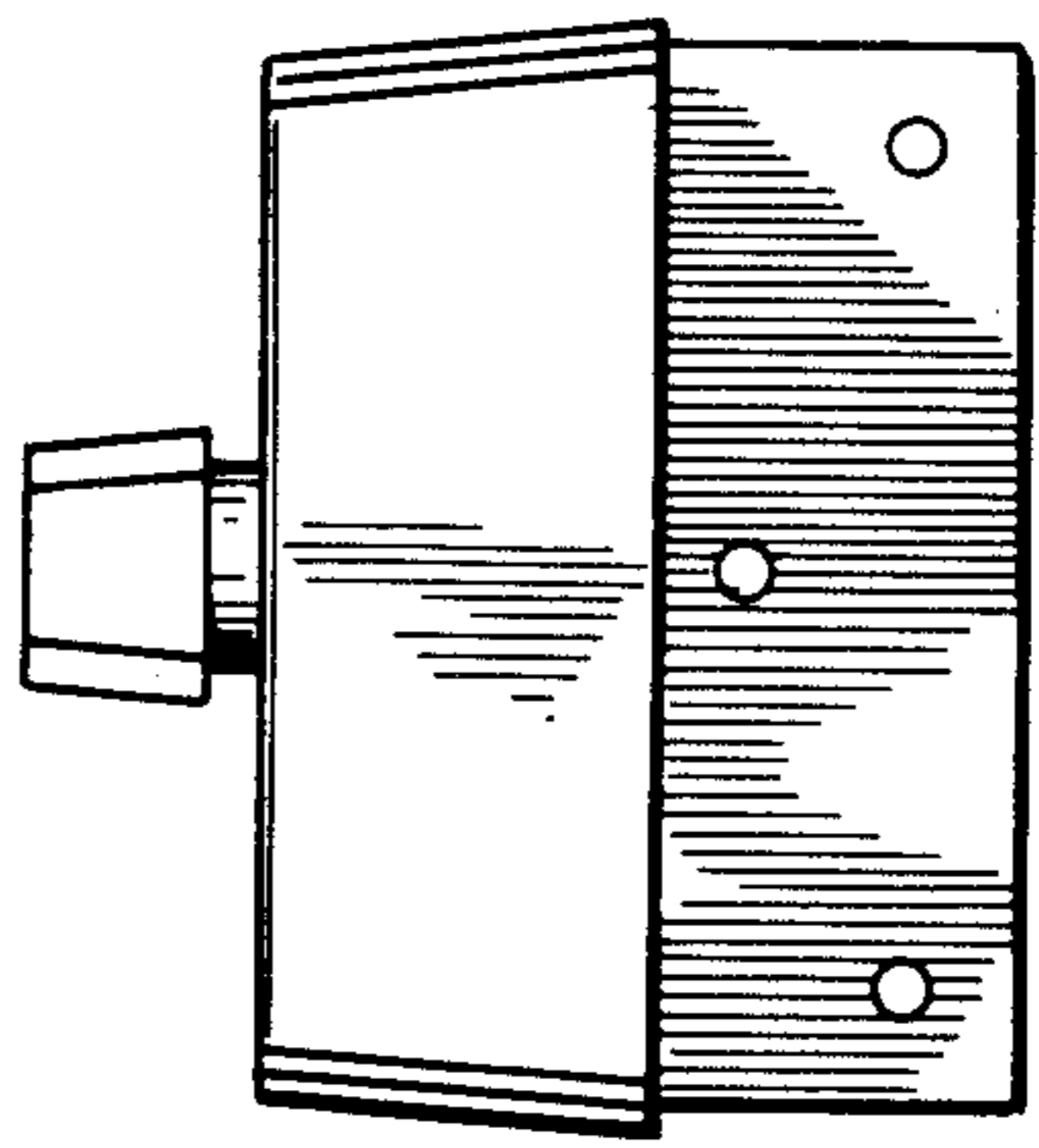
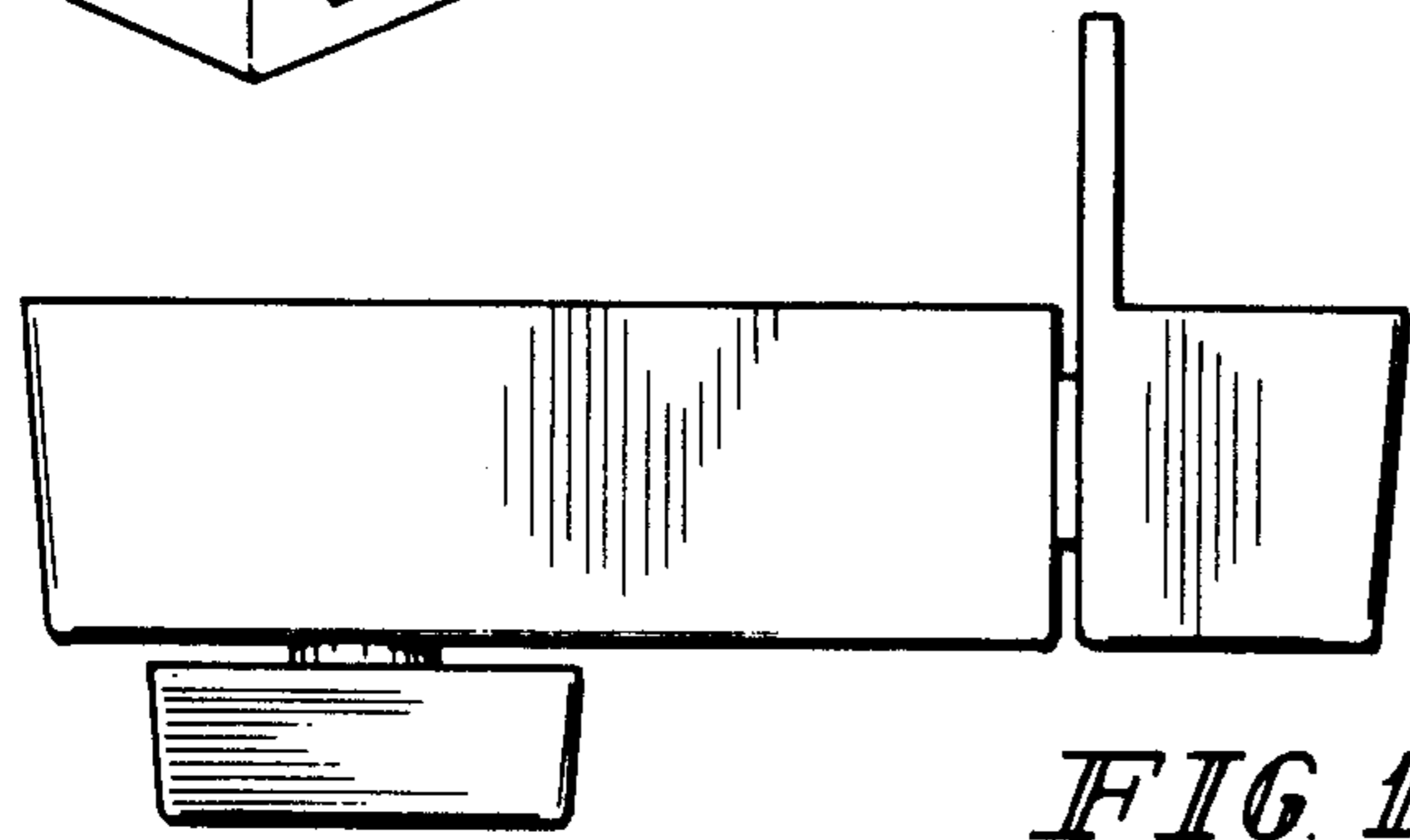
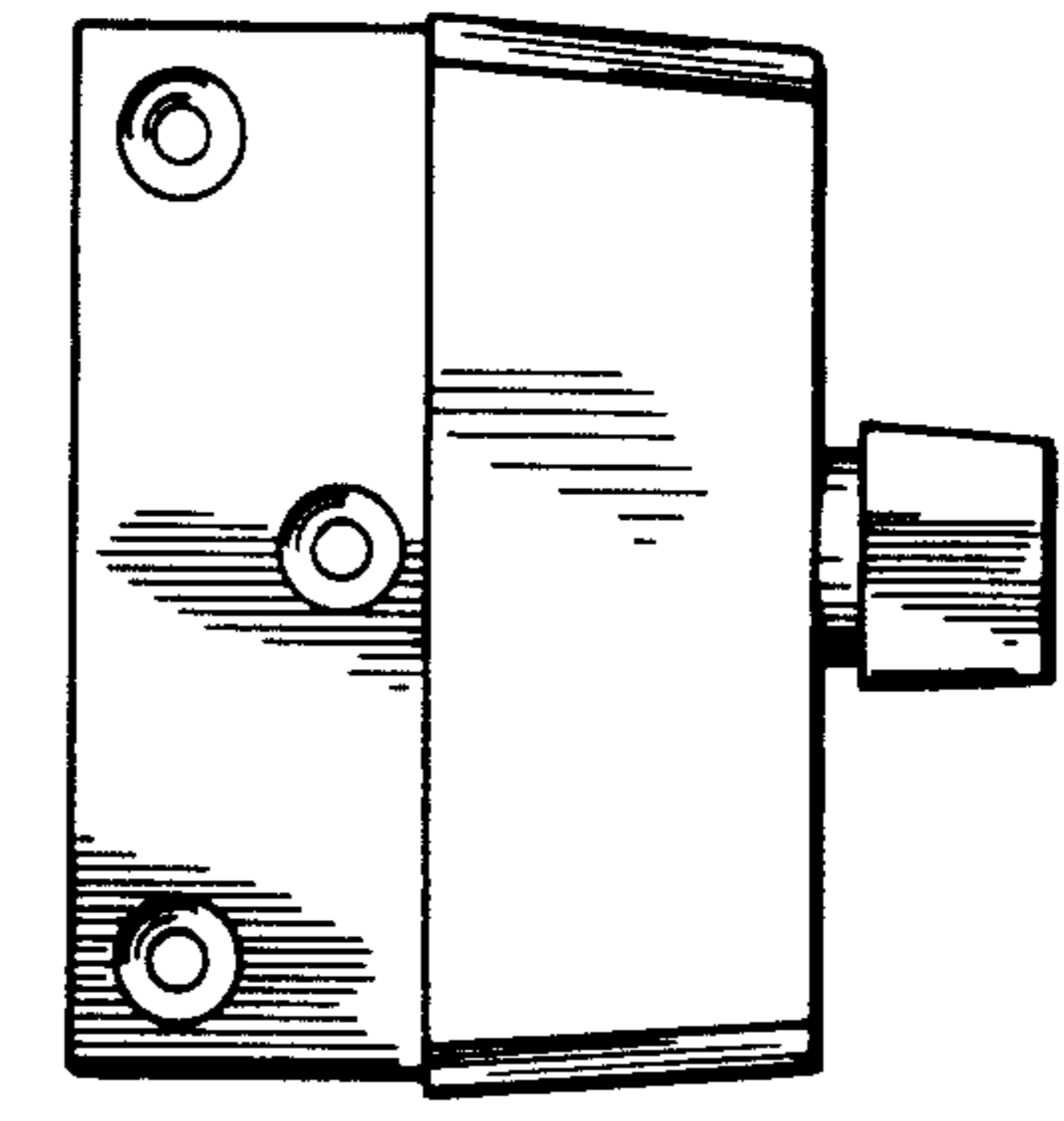
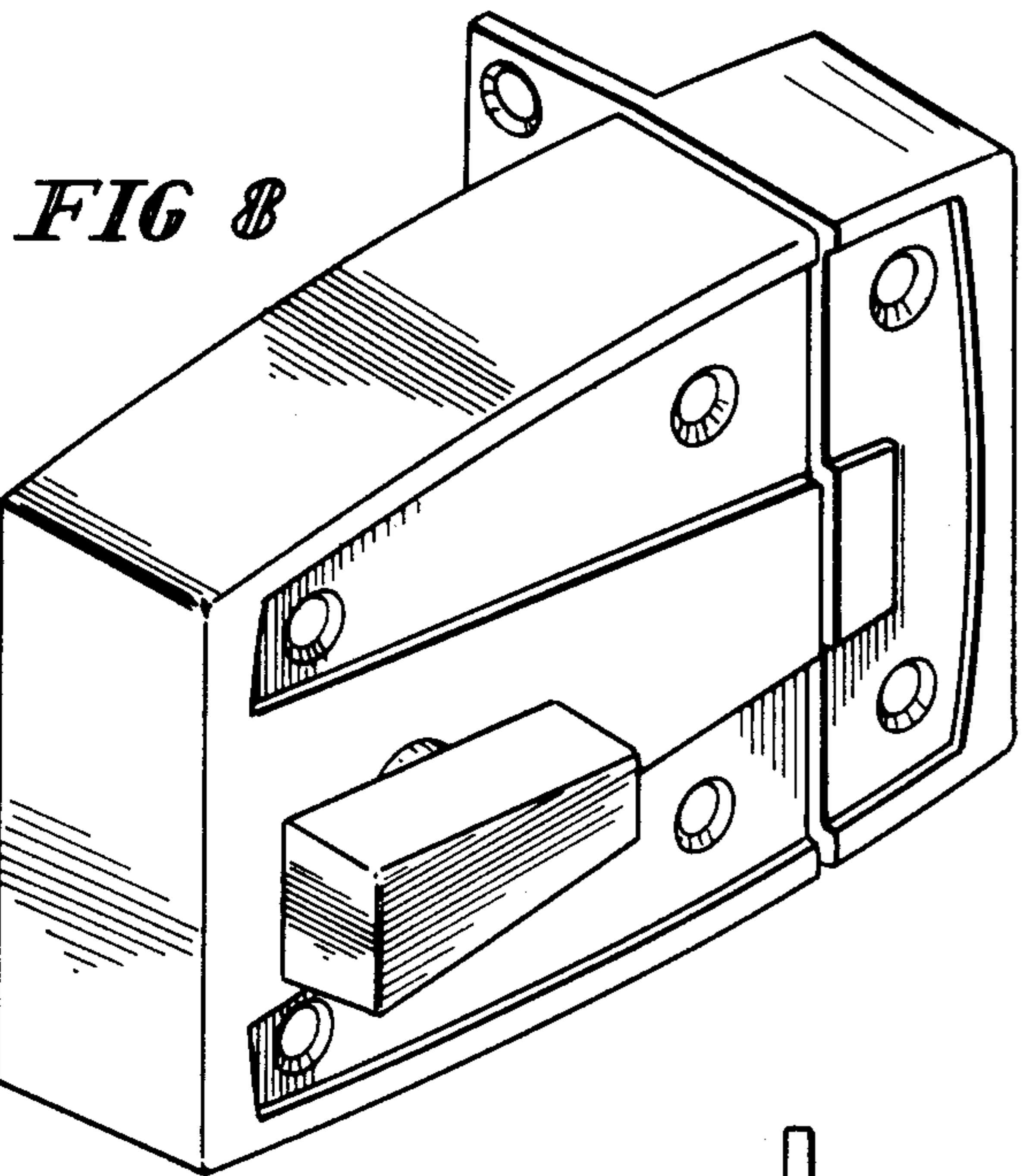


FIG. 14

FIG. 10

FIG. 9

FIG. 11

FIG. 12

FIG. 13

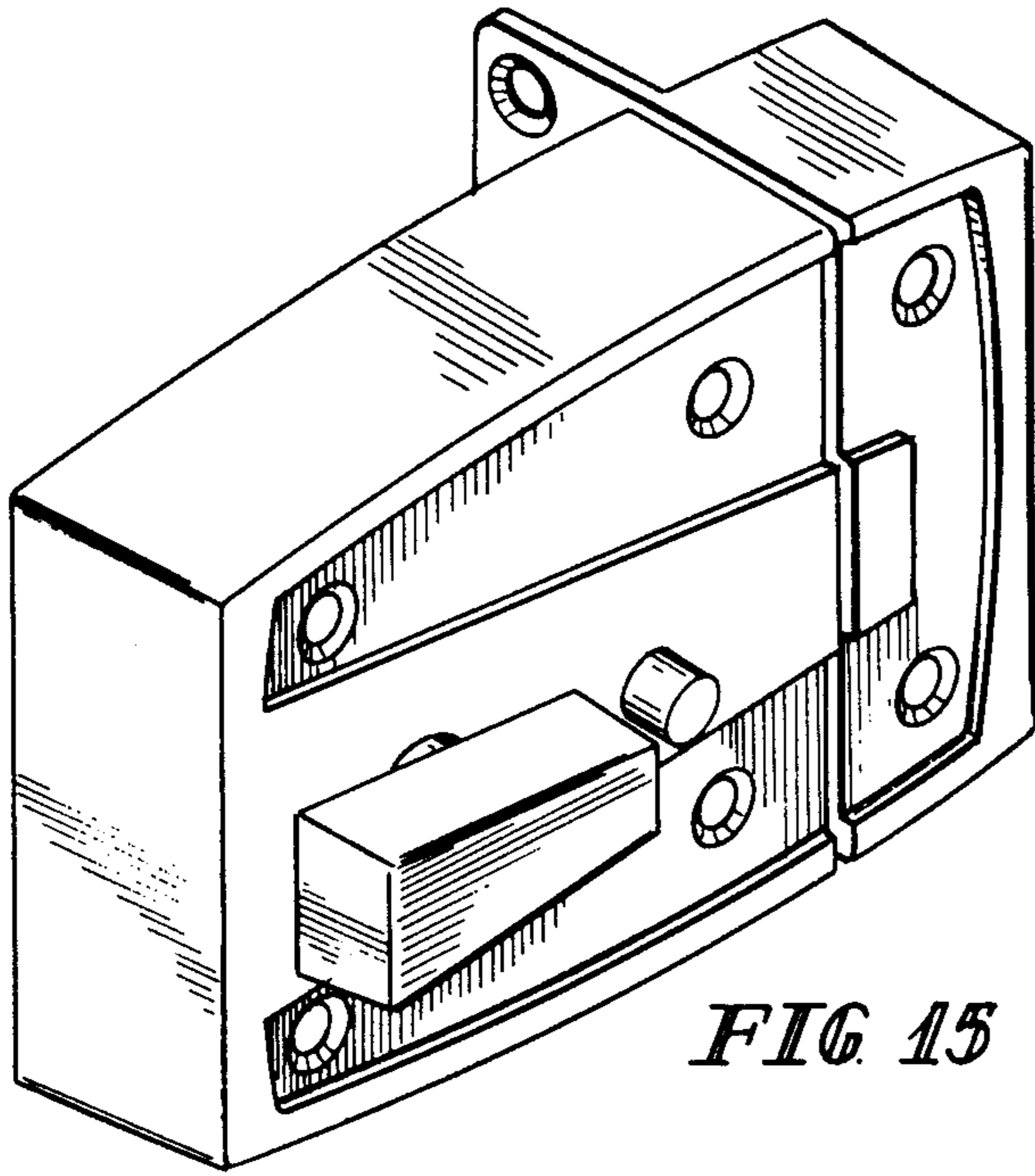


FIG 15